

Motor Series MTO



Uni-Directional Synchronous Motor - 375 RPM

Application

Timers, Chart recorders, Potentiometer Drives, light Displays, Hour Meters, Cam Timers, Programming devices and control instrumentation.

Design

MTO is a unidirectional motor with a cylindrical sheet-iron stator in which the field poles form the stator ring. In combination with the auxiliary poles (provided with copper shading rings) a rotating field is generated when the coil is energized.

The rotor turns in sintered bushings requiring no maintenance. The motor shaft is polished to a mirror finish. Motor can be provided with screw clip for fixing.

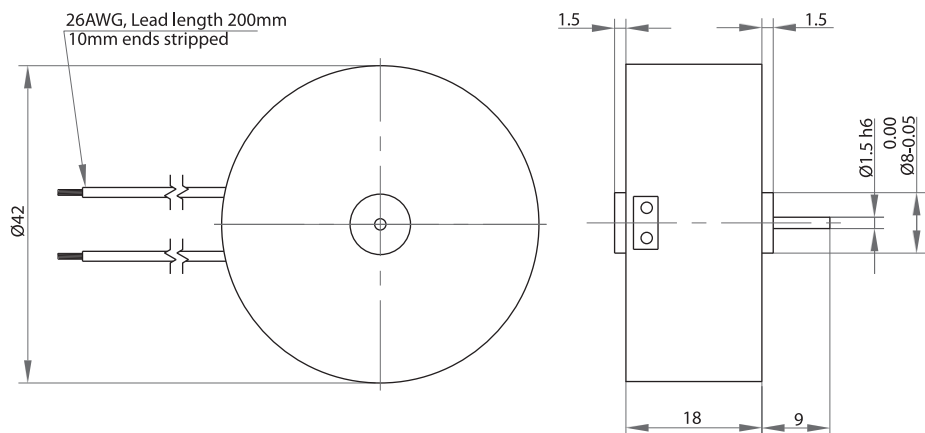
Standard Data

Motor type		Uni directional synchronous; with electrical shading
Ambient temperature operation	°C	-15...+55
Ambient temperature storage	°C	-20...+100
Thermal class	°C	105
Electrical Enclosure	IP	40
Connections		Flexible Leads 26 AWG, 200mm length; ends stripped 10 mm
Life expectancy		3 years in continuous operation
Mounting		any position
HVT		As per standard IEC60034-1
Weight	g	100
Rotor stalling		Motor can be stopped when voltage is applied, without being overheated
Rotor shaft		Hardened steel, ground and polished
Bearings		Sintered bronze, self-lubricating
External dimensions		dia. 42 x 18 mm

Technical data

Standard Motor Voltages	V	12, 24, 110, 230 (others on request)	
Tolerance of voltage	%	-10....+15% of rated voltage	
Duty cycle	%	100	
Rated frequency	Hz	50	60
Power output at rated voltage	W	0.08	0.07
Speed	rpm	375	450
Running torque at rated voltage	Ncm	0.20	0.16
Power consumption at rated voltage	W	1.4	1.5

Dimensional Drawing



Ordering Data (eg.)

