



Gear Series **GB V**

Spur Reduction Gearhead -60 Kg-cm



Design

Gearhead GB V contains heavily loaded steel gear wheels. The spur gears are fixed on steel spindles which are hardened and polished to a mirror finish & rotate in robust sintered bushings. The thick output shaft rotates in robust brass bushings. All the gears are housed in between metal plates & closed by plastic dust cover. All bearings are permanently lubricated and therefore require no maintenance. GB V can also be combined with small to medium sizes of DC motors (up to Ø52mm).

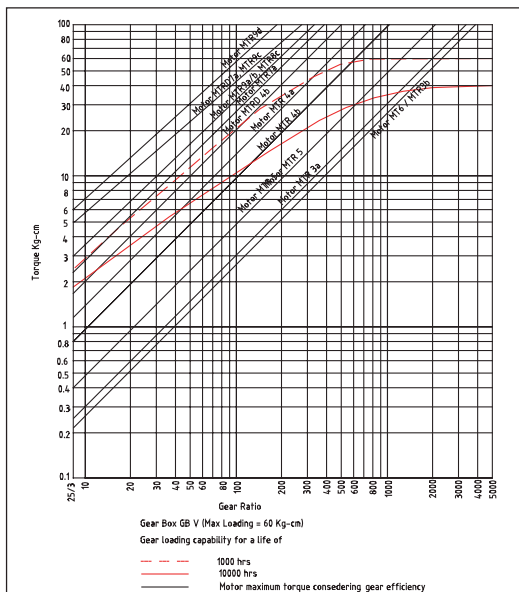
Standard Data

Gear torque	kg-cm	60
Combination with Mechtex Motors		MT0, MT6, MTR/S5, MTR/S-4a/b, MTR/SD-4, MTR/SD4-RE & DC motors (Up to dia 52) MTR/SD 7a, MTR/S 8c, MTR/S D8c MTR9a,b,c,d
Mounting		any position
Weight	g	250
Axial thrust	kg	3
Lateral force	kg	10
Radial torque	kg-cm	40
Output Bearing		Brass Sleeve Bushings
Ambient temperature operation	°C	-15 ... +55
Output shafts	Ø	8 x 22 mm (with a flat); others on request
Ambient temperature operation	°C	-15 ... +55

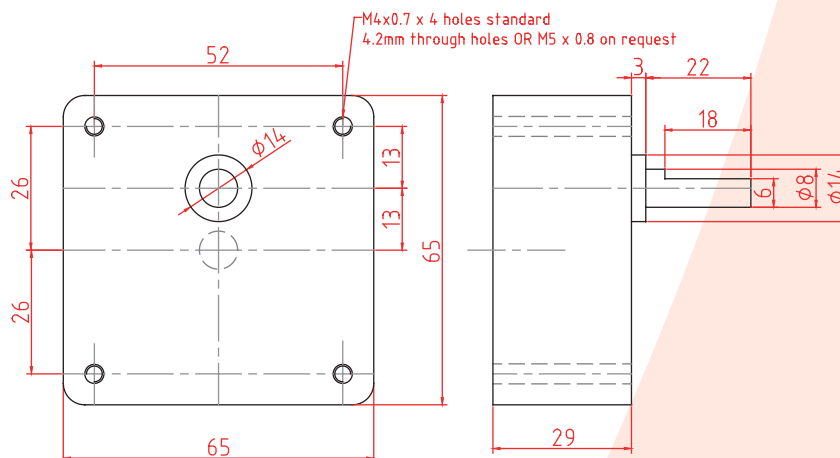
Transmission ratios

2	3	4	25/6	5	25/3	10	15	50/3	20	25	30	100/3
75/2	40	125/3	50	60	200/3	75	250/3	375/4	100	120	125	
400/3	150	500/3	180	375/2	200	225	250	300	1000/3	375	450	500
600	higher ratios on special request											

Torque/Transmission ratio/life Graph



Dimensional Drawing

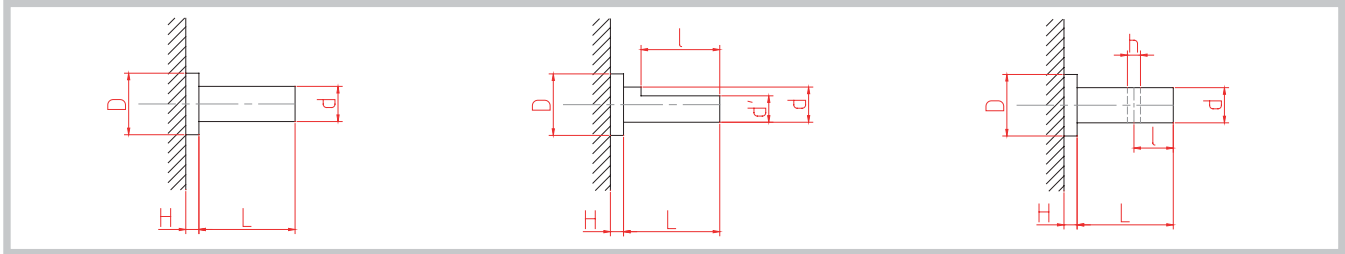




Gear Series **GB V**

Spur Reduction Gearhead - 60 Kg-Cm

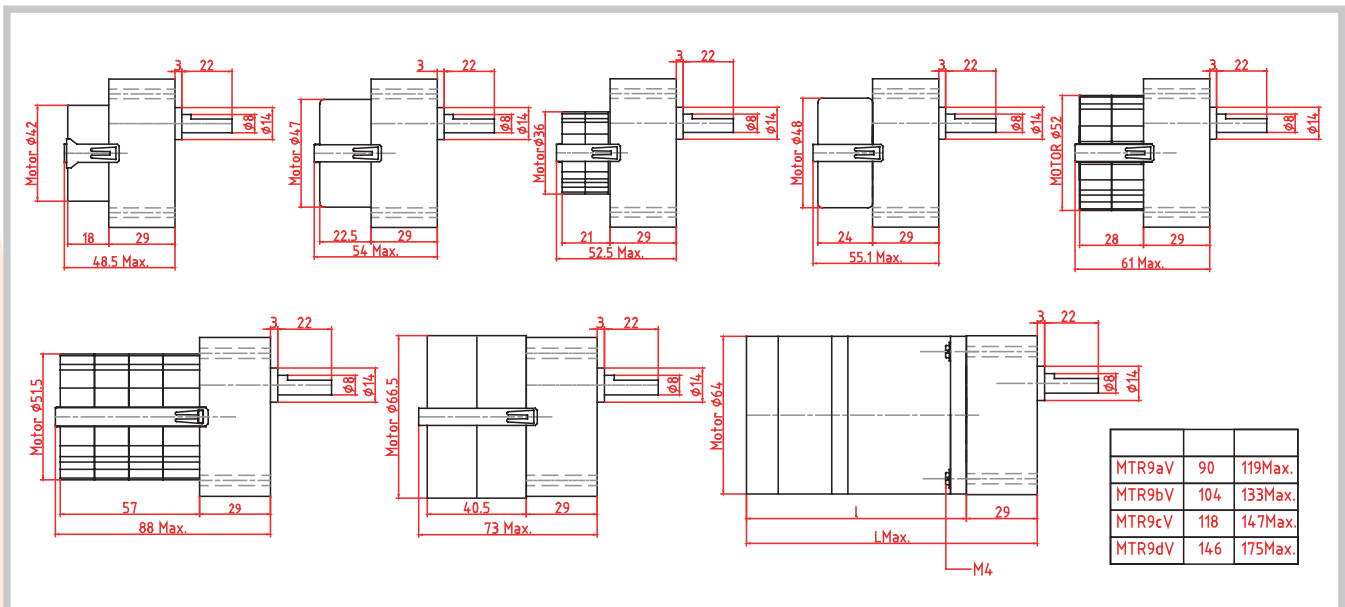
Shaft Drawing



Shaft Type Catalogue

Shaft Type	D	H	d	Shaft Diam.	l	d'	h
Catalogue	D	H	d	L	l	d'	h
S	14	3	8	22	18	6	
A	14	3	8	22	13		3
B	14	3	8	22			
Others on request							

Drawings



Photographs

