

Gear Series **GB380CP**

Spur Reduction Gearhead - 0.5 Nm



Design

Gearhead GB380CP is a multi step gearhead with all polyacetal gears which rotate on steel spindles, polished to a mirror-finish and introduced between metal plates with a plastic frame. All bearings are permanently lubricated and therefore require no maintenance. Thicker shafts ($\varnothing 6-7\text{mm}$) mounted in robust bushings ($\varnothing 12$) are available. Similarly the gears at the output end can be metal (GB380CPH) with thick shafts ($\varnothing 6-7\text{mm}$) & robust bushings. Sintered gears variant also possible (GB380CSI).

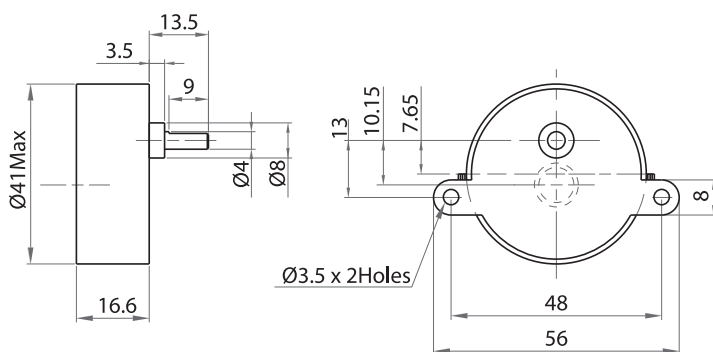
Standard Data

Gear Type		Spur
Gear Torque	Nm	0.5
Combination with Mechtex motors		Small DC Motors up to dia. 35mm (DC 28/30/32) & MTR3a/3b & MTS3a/3b
Mounting		any position
Weight	g	55
Axial thrust	N	20
Lateral force	N	60
Radial torque	Nm	0.6
Output bearing		Sintered bronze sleeve bushings, (Ball bearing on request)
Output shafts	\varnothing	Shafts same as GB5P gear series
Ambient temperature operation	$^{\circ}\text{C}$	-15...+ 55
Enclosure	IP	30

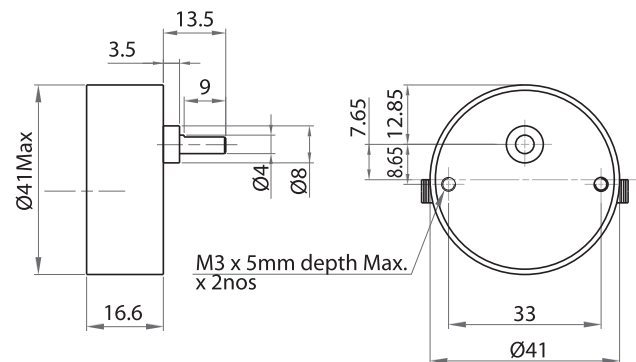
Transmission Ratios

For Transmission Ratios refer to page no. 6

Dimensional Drawing



With Mounting Plate



With Round Plate Threaded Nut

Photographs

