



# Gear Series **GB3**

## Spur Reduction Gearhead - 50 Kg-cm



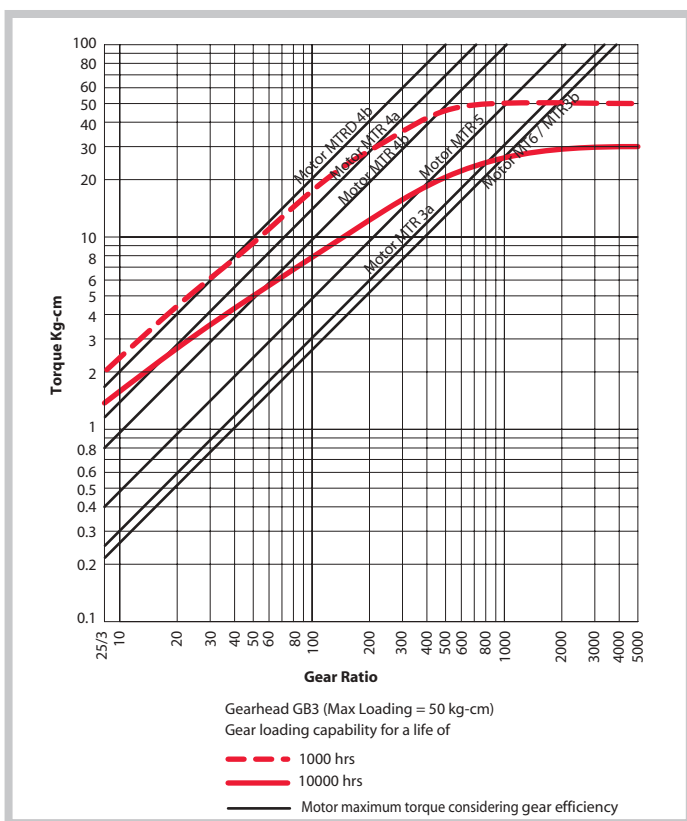
### Design

Gearhead GB3 contains heavily loaded steel gear wheels. The spur gears rotate on fixed steel spindles which are hardened and polished to a mirror finish. The thick output shaft rotates in robust sintered bushings. All the gears are housed between two metal plates with a plastic frame. All bearings are permanently lubricated and therefore require no maintenance. Economical versions with poly-acetal or sintered gears available. This gear box can also be combined with small to medium sizes of DC motors.

### Standard Data

|                                 |       |   |
|---------------------------------|-------|---|
| Gear Torque                     | kg-cm | 50  |
| Combination with Mechtex motors |       | MT0,MT6,MTR/S3a/3b,MTR/S-5,MTR/S4a/4b and small DC motors |
| Mounting                        |       | any position  |
| Weight                          | gm    | 200   |
| Axial thrust                    | kg    | 10  |
| Radial torque                   | kg    | 40  |
| Lateral torque                  | kg-cm | 40  |
| Slipping clutches/free wheel    |       | available for certain ratios                              |
| Output bearing                  |       | Sintered Bronze   |
| Output shafts                   | Ø     | dia. 8 x 17 mm (with a flat), others on request           |
| Ambient temperature operation   | °C    | -15...+55   |

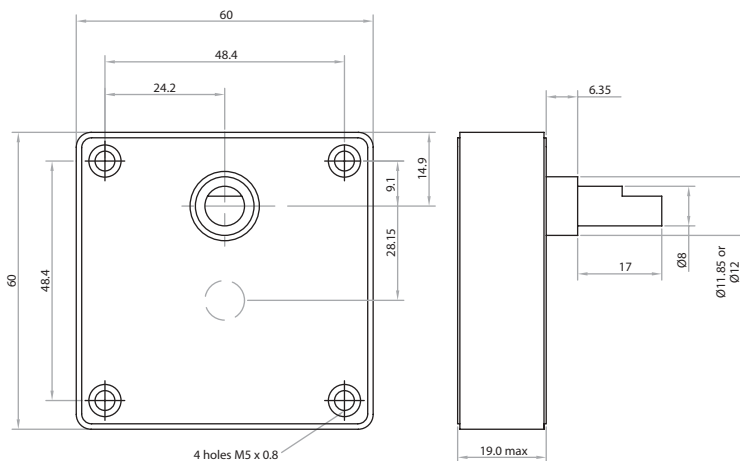
### Torque/Transmission ratio/life Graph



### Transmission ratios

For Transmission Ratios refer to page nos. 12 & 13.

### Dimensional Drawing

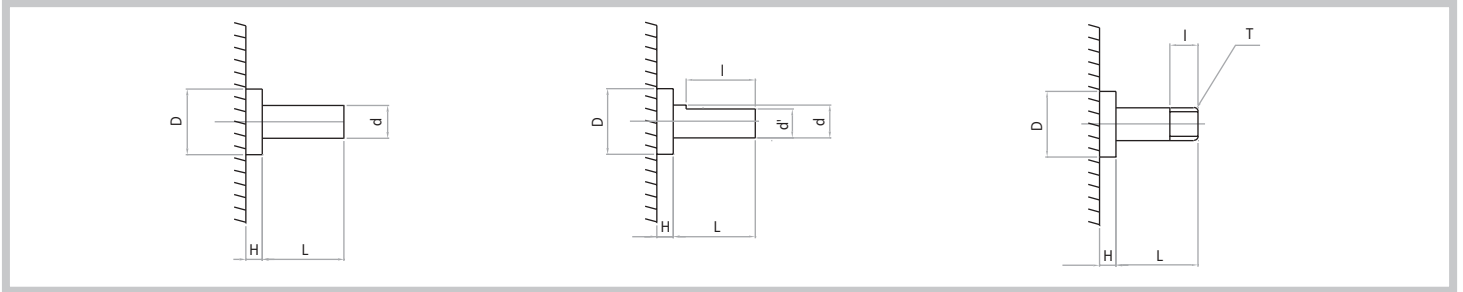




# Gear Series **GB3**

Spur Reduction Gearhead - 50 Kg-cm

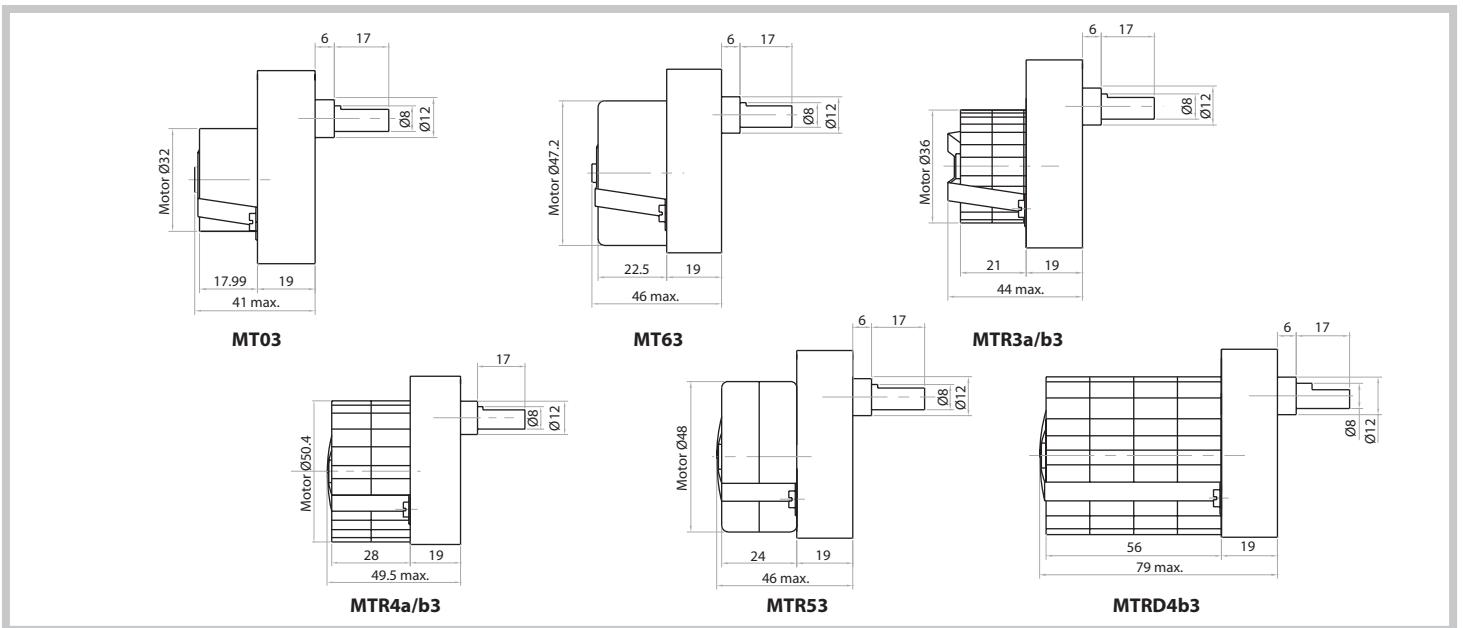
## Shaft Drawings



## Shaft Type Catalogue

| Shaft type Catalogue | D  | H | d   | Shaft Diam. L | l  | d'  | T    |
|----------------------|----|---|-----|---------------|----|-----|------|
| S                    | 12 | 6 | 8   | 17            | 8  | 6   |      |
| A                    | 12 | 6 | 8   | 27            | 18 | 6   |      |
| B                    | 12 | 6 | 6.5 | 17            | 8  | 5.5 |      |
| C                    | 12 | 6 | 6.5 | 27            | 18 | 6   |      |
| D                    | 12 | 6 | 6.5 | 17            | 8  | 5.5 |      |
| E                    | 12 | 6 | 6.5 | 27            | 18 | 6   |      |
| F                    | 12 | 6 | 8   | 18            | 10 |     | M6x1 |
| G                    | 12 | 6 | 9.5 | 21            |    |     |      |

## Drawings



## Photographs

