

# BO32(15W)



## Design

BO3218 Series Motors are Brushless DC Out runner motors with 32mm diameter and 18mm Height. These Motors are available with sensor and without sensor. Robust Ball bearings ensure excellent service life with  $\geq 5000$ Hrs. Drivers are also available as an Add-On unit on special request. These motors are available in different speeds and different voltages on special request. In order to reduce motor height, we can use FFC cable also on the special request.

## Standard Data

Motor Type		Outrunner Brushless dc motor
Configuration		6N-8P
Ambient Temperature Operation	°C	-40°C to +100°C
Storage & Transport Temperature	°C	-60°C to +120°C
Weight	g	60
Electrical Enclosure	IP	40 (As per IEC 60529)
Life expectancy		$\geq 5000$ hours @ Rated Torque

## Available Customizations

Sensorless
Inbuilt driver
Customized motor speed
Dust cover (Upto IP 65 **)
26AWG leads with ends tinned & stripped
FFC Output
Customized shaft
Hollow shaft for robotics and gimbal applications

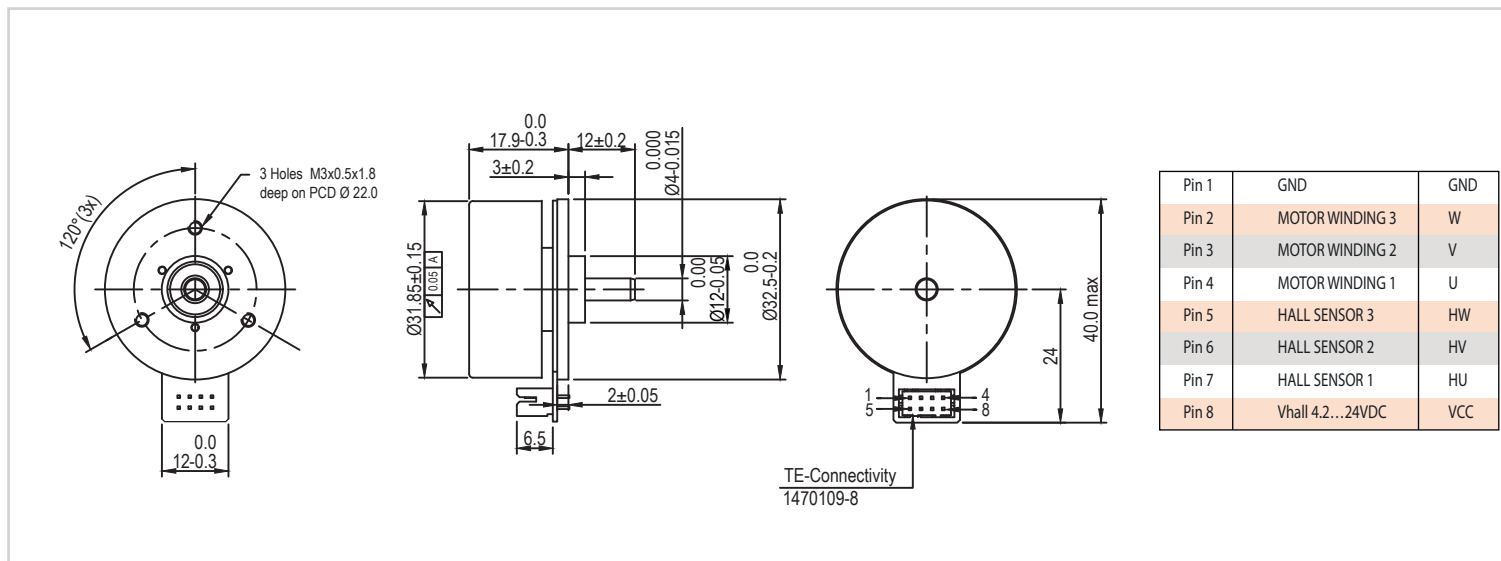
## Technical Data

MECHTEX MODEL No.	Physical data Dia x height mm	No load data			Data at Rated Torque				Stall	
		Voltage V DC	Speed RPM	Current mA	Speed RPM	Current A	Torque cNm	Power W(out)	Torque cNm	Current A
BO3218	32 X 18	12	4590	80	2750	1	2.5	6.8	8.1	3
	32 X 18	24	4510	40	2730	1	2.5	6.8	8.3	1.7

\*Other speeds & voltages on special request

\*\* On special request

## Dimensional Drawing



3 Holes M3x0.5x1.8 deep on PCD Ø 22.0

120° (3x)

0.0  
12-0.3

0.0  
17.9-0.3  
3±0.2  
12±0.2  
0.000  
Ø4-0.015  
0.00  
Ø12-0.05  
0.0  
Ø32.5-0.2  
2±0.05  
6.5

Ø31.85±0.15  
0.05 A

24  
40.0 max

1 5 4 8

TE-Connectivity  
1470109-8

Pin 1	GND	GND
Pin 2	MOTOR WINDING 3	W
Pin 3	MOTOR WINDING 2	V
Pin 4	MOTOR WINDING 1	U
Pin 5	HALL SENSOR 3	HW
Pin 6	HALL SENSOR 2	HV
Pin 7	HALL SENSOR 1	HU
Pin 8	Vhall 4.2...24VDC	VCC