

Example of order: MAV SC2008-140 95 - 95

Features

MAV SC2008

- Rigid shaft-to-shaft coupling with sleeve and shrink discs MAV 2008 – standard duty
- Medium capacity
- Connection of shafts with different diameters is possible
- Shafts tolerance: see table for shrink discs
- Shafts surface finish $R_a < 3.2 \mu\text{m}$
- Shafts – sleeve bore contact surfaces: grease-free and dry ($\mu = 0.15$)

MAV SC2208

- Rigid shaft-to-shaft coupling with sleeve and shrink discs MAV 2208 – heavy duty
- High capacity
- Connection of shafts with different diameters is possible
- Shafts tolerance: see table for shrink discs
- Shafts surface finish $R_a < 3.2 \mu\text{m}$
- Shafts – sleeve bore contact surfaces: grease-free and dry ($\mu = 0.15$)

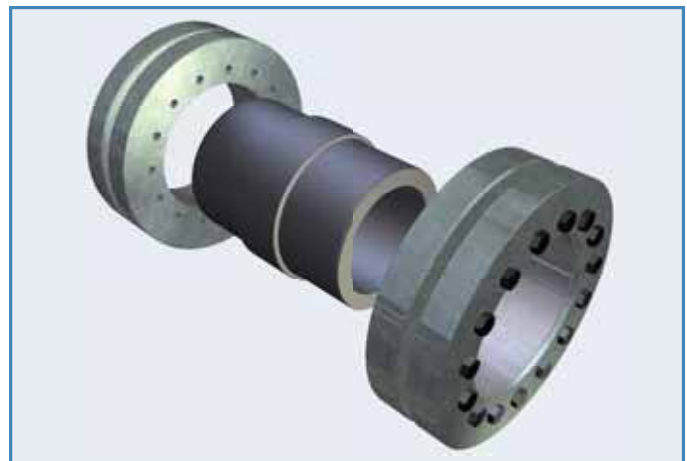
Composition

MAV SC2008

- Two shrink discs MAV 2008
- Unslotted coupling sleeve

MAV SC2208

- Two shrink discs MAV 2208
- Unslotted coupling sleeve



measure	DIMENSIONS					SCREWS		FEATURES		WEIGHT kg
	ds mm	shrink disc MAV 2008 d x D	L mm	D1 mm	L1 mm	size	Ma Nm	Mt Nm	Fax kN	
20	15	20 x 46	45	25	21	M 5	4	130	17	0,34
	16							170	21	
	17							210	25	
24	19	24 x 50	50	28	22	M 5	4	220	24	0,44
	20							280	28	
	21							330	32	
30	24	30 x 60	55	34	24	M 5	4	350	29	0,68
	25							400	32	
	26							470	36	
36	28	36 x 72	65	40	26	M 6	12	770	55	1,1
	30							960	64	
	31							980	63	
44	34	44 x 80	70	49	28	M 6	12	1.200	72	1,5
	35							1.400	77	
	36							1.500	83	
50	38	50 x 90	80	55	31	M 6	12	1.500	80	2,1
	40							1.800	91	
	42							2.100	101	
55	42	55 x 100	85	60	33	M 6	12	1.700	80	2,8
	45							2.100	94	
	48							2.600	110	
62	48	62 x 110	90	68	33	M 6	12	2.700	110	3,4
	50							3.000	120	
	52							3.200	120	
68	50	68 x 115	100	74	33	M 6	12	2.500	100	3,8
	55							3.100	110	
	60							4.100	140	
75	55	75 x 138	120	81	37	M 8	30	3.500	130	6,1
	60							4.700	160	
	65							6.000	180	
80	60	80 x 145	130	86	37	M 8	30	4.100	140	6,8
	65							5.200	160	
	70							6.600	190	
85	60	85 x 155	140	96	44	M 8	30	5.400	180	10,0
	65							6.900	210	
	70							8.600	250	
90	65	90 x 155	140	96	44	M 8	30	6.200	190	9,7
	70							7.700	220	
	75							9.400	250	
95	65	95 x 170	160	106	49	M 8	30	6.800	210	14
	70							8.400	240	
	75							10.300	270	
100	70	100 x 170	160	106	49	M 8	30	7.600	220	14
	75							9.300	250	
	80							11.300	280	
105	70	105 x 185	180	116	56	M 10	59	8.100	230	19
	75							10.000	270	
	80							12.100	300	
110	75	110 x 185	180	116	56	M 10	59	9.100	240	19
	80							11.000	280	
	85							12.200	290	
115	80	115 x 200	185	131	57	M 10	59	11.500	290	23
	85							12.600	300	
	90							15.100	340	
120	85	120 x 200	185	131	57	M 10	59	11.400	270	22
	90							13.800	310	
	95							16.300	340	
125	85	125 x 215	200	136	60	M 10	59	13.300	310	28
	90							15.800	350	
	95							18.600	390	
130	90	130 x 215	200	136	60	M 10	59	14.600	320	27
	95							17.200	360	
	100							20.100	400	

MAV SC2008

Standard Sleeve couplings

measure	DIMENSIONS					SCREWS		FEATURES		WEIGHT kg
	ds mm	shrink disc MAV 2008 d x D	L mm	D1 mm	L1 mm	size	Ma Nm	Mt Nm	Fax kN	
140	95	140 x 230	210	148	66	M 12	100	18.600	390	33
	100							21.600	430	
	105							24.900	470	
155	105	155 x 263	230	167	70	M 12	100	25.400	480	49
	110							29.000	530	
	115							32.800	570	
165	115	165 x 290	240	177	78	M 16	250	38.900	680	63
	120							43.600	730	
	125							47.600	760	
175	125	175 x 300	250	187	78	M 16	250	42.900	690	66
	130							47.800	740	
	135							53.100	790	
185	135	185 x 330	265	201	95	M 16	250	60.000	890	95
	140							66.400	950	
	145							73.100	1.000	
195	140	195 x 350	280	216	95	M 16	250	75.600	1.100	107
	150							90.600	1.200	
	155							98.700	1.300	
200	150	200 x 350	290	216	95	M 16	250	87.000	1.200	106
	155							94.800	1.200	
	160							103.000	1.300	
220	160	220 x 370	310	236	114	M 16	250	110.000	1.400	144
	165							120.000	1.500	
	170							129.000	1.500	
240	170	240 x 405	350	254	121	M 20	490	146.000	1.700	185
	180							168.000	1.900	
	190							190.000	2.000	
250	180	250 x 430	390	274	132	M 20	490	186.000	2.100	237
	190							209.000	2.200	
	200							238.000	2.400	
260	190	260 x 430	390	274	132	M 20	490	197.000	2.100	228
	200							224.000	2.200	
	210							254.000	2.400	
280	210	280 x 460	430	296	145	M 20	490	260.000	2.500	281
	220							292.000	2.700	
	230							327.000	2.800	
300	230	300 x 485	445	316	153	M 20	490	334.000	2.900	323
	240							371.000	3.100	
	250							410.000	3.300	
320	240	320 x 520	460	336	153	M 20	490	380.000	3.200	384
	250							419.000	3.400	
	260							457.000	3.500	
340	250	340 x 570	480	356	169	M 20	490	465.000	3.700	523
	260							506.000	3.900	
	270							555.000	4.100	
350	260	350 x 580	490	376	173	M 20	490	483.000	3.700	552
	270							530.000	3.900	
	280							580.000	4.100	
360	280	360 x 590	500	376	173	M 20	490	556.000	4.000	544
	290							606.000	4.200	
	295							632.000	4.300	
380	290	380 x 645	530	395	179	M 24	840	682.000	4.700	699
	300							739.000	4.900	
	310							799.000	5.200	
390	310	390 x 660	540	415	179	M 24	840	813.000	5.200	729
	315							844.000	5.400	
	320							871.000	5.400	
400	315	400 x 680	540	415	199	M 24	840	806.000	5.100	829
	320							831.000	5.200	
	330							896.000	5.400	
420	330	420 x 690	580	435	199	M 24	840	967.000	5.900	852
	340							1.040.000	6.100	
	350							1.110.000	6.400	

measure	DIMENSIONS					SCREWS		FEATURES		WEIGHT kg
	ds mm	shrink disc MAV 2008 d x D	L mm	D1 mm	L1 mm	size	Ma Nm	Mt Nm	Fax kN	
440	340	440 x 750	600	456	207	M 24	840	970.000	5.700	1062
	350							1.040.000	5.900	
	360							1.110.000	6.200	
460	360	460 x 770	620	476	207	M 24	840	1.040.000	5.800	1113
	370							1.120.000	6.000	
	380							1.190.000	6.300	
480	380	480 x 800	645	496	228	M 24	840	1.420.000	7.500	1297
	390							1.510.000	7.700	
	400							1.600.000	8.000	
500	400	500 x 850	670	516	230	M 27	1250	1.620.000	8.100	1477
	410							1.700.000	8.300	
	420							1.800.000	8.600	

Code:

Ma: screws tightening torque

Mt: transmissible torque with Fax=0 kN

Fax: transmissible axial load with Mt=0 Nm

