










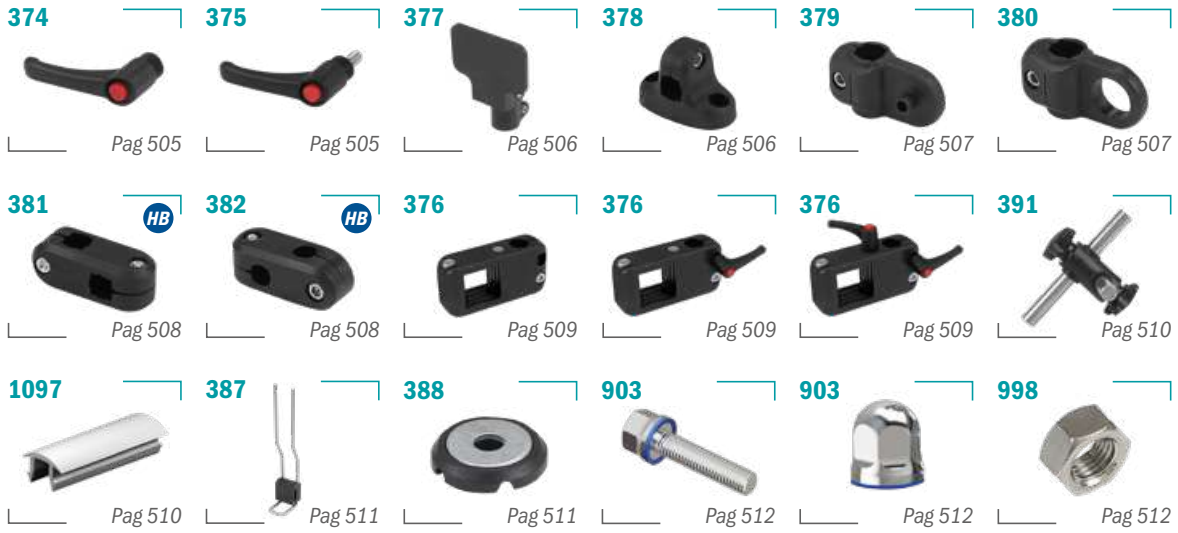


NOW ALSO IN HYGIENIC BLUE 

301  Pag 450	302   Pag 450	305  Pag 451	306  Pag 451	307  Pag 452	308  Pag 452
309  Pag 453	310  Pag 453	311  Pag 454	312  Pag 454	321   Pag 455	322  Pag 455
323  Pag 455	398   Pag 456	398   Pag 456	398  Pag 457	398  Pag 458	398  Pag 459
398  Pag 460	398  Pag 461	398  Pag 462	398  Pag 463	313   Pag 464	314   Pag 464
315  Pag 465	316  Pag 465	317   Pag 466	317   Pag 466	318  Pag 467	319  Pag 467
3001  Pag 467	317  Pag 468	320  Pag 468	3007  Pag 468	3008  Pag 469	3002  Pag 469
324   Pag 470	325   Pag 470	3009   Pag 470	326   Pag 471	3013  Pag 471	3010  Pag 471
327  Pag 472	3012  Pag 472	337   Pag 473	338   Pag 473	339   Pag 473	328  Pag 474

329  Pag 474	330  Pag 474	390  Pag 474	392  Pag 475	393  Pag 475	336  Pag 475
394  Pag 476	341 HB  Pag 476	341 HB  Pag 476	3310  Pag 477	3311  Pag 477	345  Pag 477
349  Pag 478	350  Pag 478	351  Pag 478	3004  Pag 479	352  Pag 479	3005  Pag 479
347  Pag 480	348  Pag 480	346  Pag 480	356  Pag 481	357  Pag 481	3011 HB  Pag 481
335  Pag 482	358  Pag 483	364  Pag 483	359  Pag 484	365  Pag 484	360  Pag 485
360  Pag 486	366  Pag 485/486	361  Pag 487	361  Pag 488	367  Pag 487/488	364-365  Pag 489
366-367  Pag 490	366  Pag 491	367  Pag 491	364  Pag 492	365  Pag 492	395  Pag 493
362  Pag 493	333  Pag 493	358/359/360/361  Pag 493	3014  Pag 493	353  Pag 494	354  Pag 494
355  Pag 494	363  Pag 495	396  Pag 496	363  Pag 497	36399  Pag 497	199/299  Pag 498
368  Pag 499	369  Pag 499	370  Pag 500	371  Pag 500	342  Pag 501	372 HB  Pag 502
373  Pag 502	383  Pag 502	384  Pag 503	386  Pag 503	3003  Pag 504	397  Pag 504



Conveyor components

Materiale / Material / Materialien:

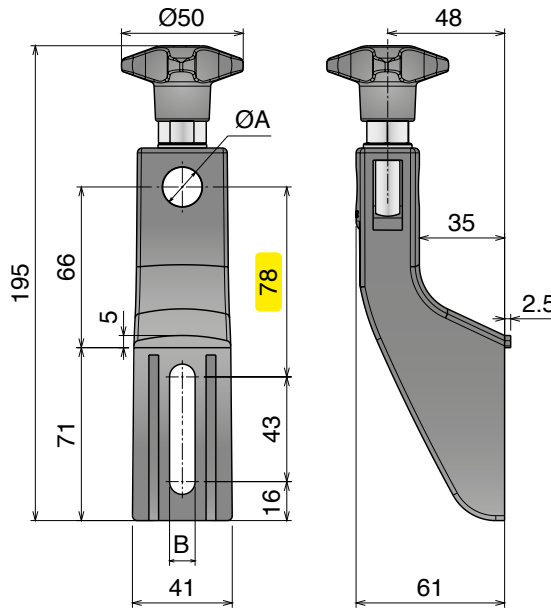
Supporto: PA / Support: PA / Halter: PA

Volantino: PA+ottone nichelato / Knob: PA+nickel plated brass / Sterngriff: PA+ Messing vernickelt

Tirante: Acciaio inox / Eyebolt: Stainless steel / Augenschraube: Edelstahl

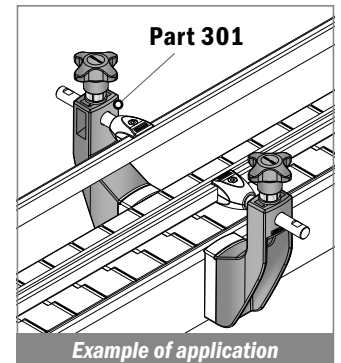
301 Supporto laterale - piccolo - Side bracket - small - / Geländerhalter - klein-

Delivery: **Easy** **Standard**



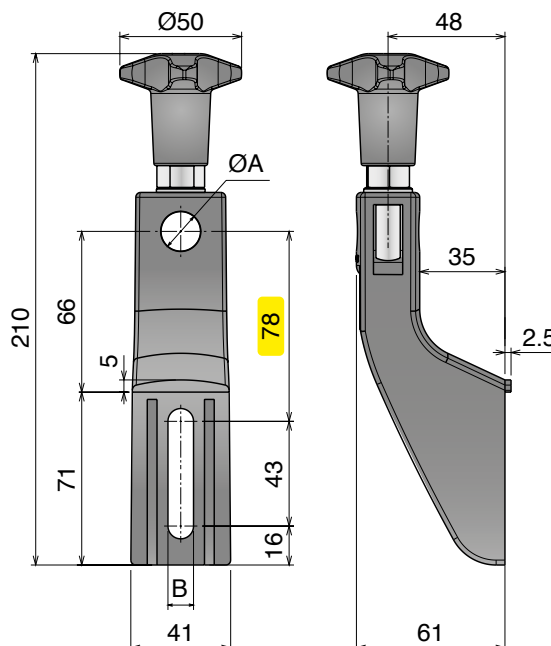
NOW ALSO IN HYGIENIC BLUE

Part	Article-Nr.	$\varnothing A$	B	Colour
301	30101	12	9	Black
301	30105	14	9	Black
301	30102	16	9	Black
301	30103	12	10,5	Black
301	30106	14	10,5	Black
301	30104	16	10,5	Black
301	30151	12	9	Hygienic blue
301	30155	14	9	Hygienic blue
301	30152	16	9	Hygienic blue
301	30153	12	10,5	Hygienic blue
301	30156	14	10,5	Hygienic blue
301	30154	16	10,5	Hygienic blue



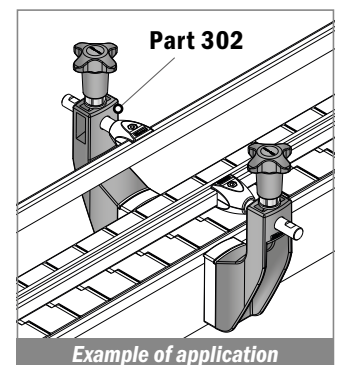
302 Supporto laterale - piccolo - volantino alto Side bracket - small - high knob / Geländerhalter - klein - hoher Sterngriff

Delivery: **Easy** **Standard**



NOW ALSO IN HYGIENIC BLUE

Part	Article-Nr.	$\varnothing A$	B	Colour
302	30201	12	9	Black
302	30205	14	9	Black
302	30202	16	9	Black
302	30203	12	10,5	Black
302	30206	14	10,5	Black
302	30204	16	10,5	Black
302	30251	12	9	Hygienic blue
302	30255	14	9	Hygienic blue
302	30252	16	9	Hygienic blue
302	30253	12	10,5	Hygienic blue
302	30256	14	10,5	Hygienic blue
302	30254	16	10,5	Hygienic blue



Materiale / Material / Materialien:

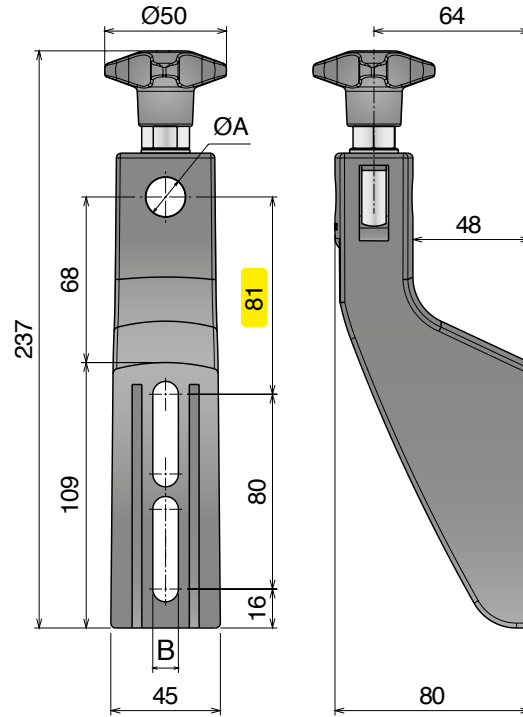
Supporto: PA / Support: PA / Halter: PA

Volantino: PA+ottone nichelato / Knob: PA+nickel plated brass / Sterngriff: PA+ Messing vernickelt

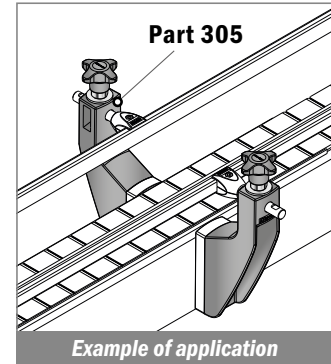
Tirante: Acciaio inox / Eyebolt: Stainless steel / Augenschraube: Edelstahl

305 Supporto laterale -medio- Side bracket -medium- / Geländerhalter -medium-

Delivery: **Easy** **Standard**

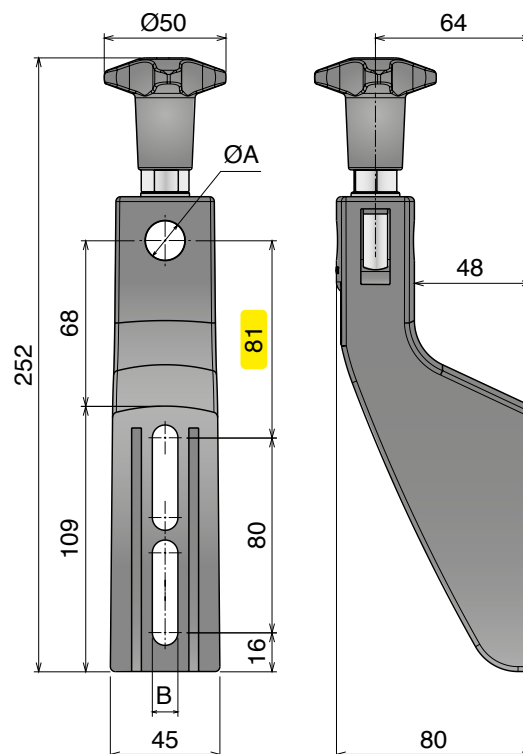


Part	Article-Nr.	ØA	B
305	30501	12	9
305	30505	14	9
305	30502	16	9
305	30503	12	10,5
305	30506	14	10,5
305	30504	16	10,5

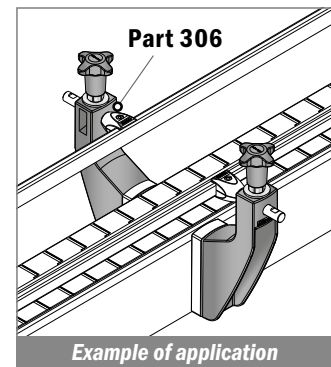


306 Supporto laterale -medio- volantino alto Side bracket -medium- high knob / Geländerhalter -medium- hoher Sterngriff

Delivery: **Easy** **Standard**



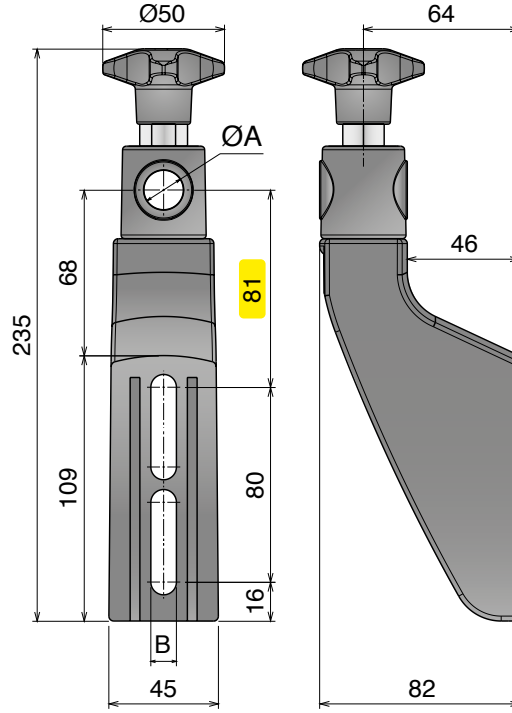
Part	Article-Nr.	ØA	B
306	30601	12	9
306	30605	14	9
306	30602	16	9
306	30603	12	10,5
306	30606	14	10,5
306	30604	16	10,5



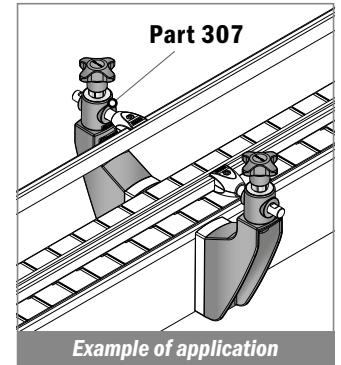
• **Materiale / Material / Materialien:** Supporto: PA/Support: PA/Halter: PA
 Volantino: PA+ottone nichelato/Knob: PA+nickel plated brass/Stemgriff: PA+ Messing vernickelt
 Tirante: Acciaio inox/Eyebolt: Stainless steel/Augenschraube: Edelstahl
 Testina: PA o Acciaio inox/Head: PA or stainless steel/Schwenkkopf: PA oder Edelstahl
 Vite, rondella e dado: Acciaio inox/Screw, washer and nut: Stainless steel/Schraube, Unterlegs und Mutter: Edelstahl

307 Supporto laterale -medio- orientabile Side bracket -medium- adjustable / Geländerhalter -medium- einstellbar

Delivery: **Easy** **Standard**

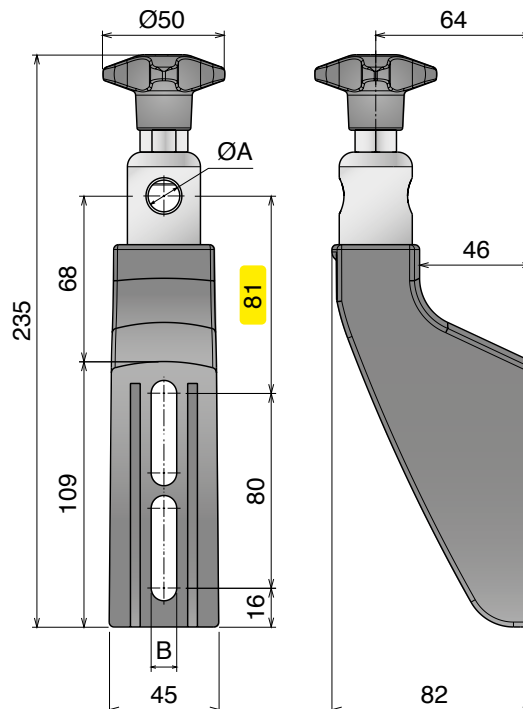


Part	Article-Nr.	ØA	B
307	30701	12	9
307	30705	14	9
307	30702	16	9
307	30703	12	10,5
307	30706	14	10,5
307	30704	16	10,5
307	30709	bracket	9
307	30710	bracket	10,5

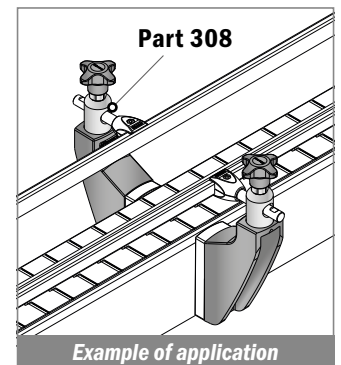


308 Supporto laterale -medio- orientabile Acciaio inox Side bracket -medium- adjustable stainless steel / Geländerhalter -medium- einstellbar edelstahl

Delivery: **Easy** **Standard**



Part	Article-Nr.	ØA	B
308	30801	12	9
308	30805	14	9
308	30802	16	9
308	30803	12	10,5
308	30806	14	10,5
308	30804	16	10,5



Materiale / Material / Materialien:

Supporto: PA / Support: PA / Halter: PA

Volantino: PA+ottone nichelato / Knob: PA+nickel plated brass / Sterngriff: PA+ Messing vernickelt

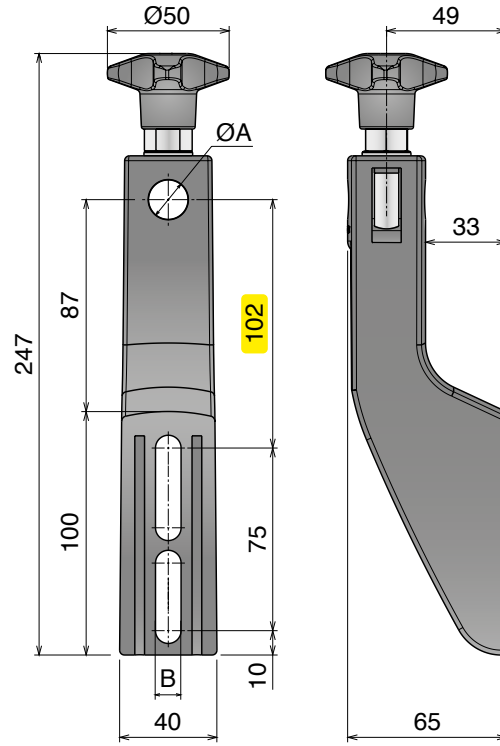
Tirante: Acciaio inox / Eyebolt: Stainless steel / Augenschraube: Edelstahl

309-310

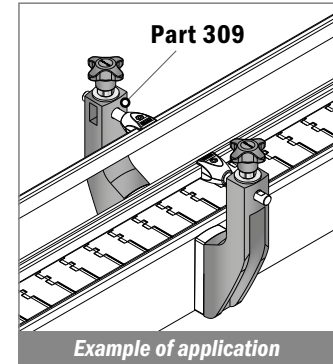
Componenti / Conveyor components / Komponenten

309 Supporto laterale -grande- Side bracket -large- / Geländerhalter -groß-

Delivery: **Easy** **Standard**

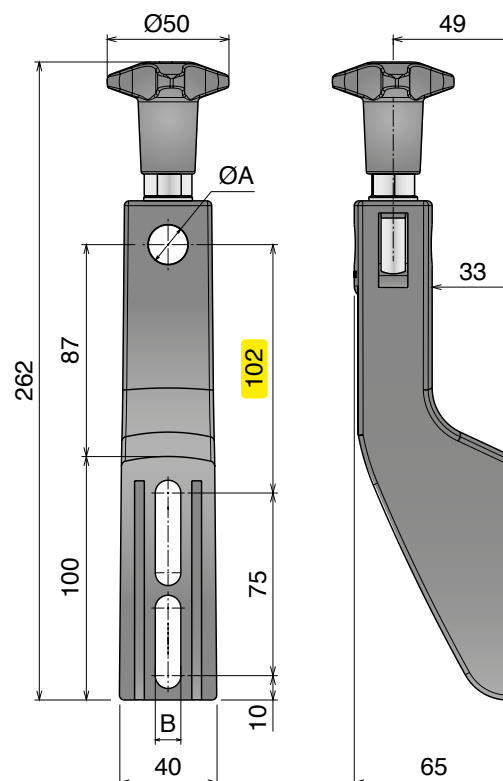


Part	Article-Nr.	ØA	B
309	30901	12	9
309	30905	14	9
309	30902	16	9
309	30903	12	10,5
309	30906	14	10,5
309	30904	16	10,5

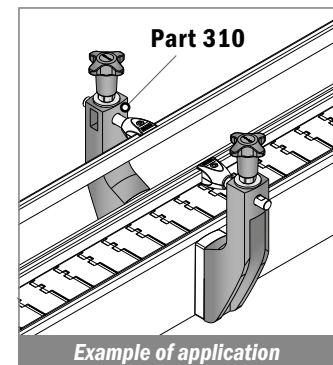


310 Supporto laterale -grande- volantino alto Side bracket -large- high knob / Geländerhalter -groß- hoher sterngriff

Delivery: **Easy** **Standard**



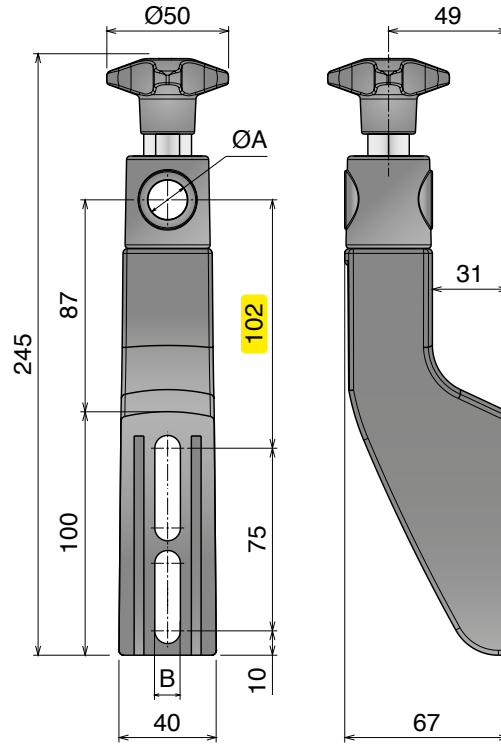
Part	Article-Nr.	ØA	B
310	31001	12	9
310	31005	14	9
310	31002	16	9
310	31003	12	10,5
310	31006	14	10,5
310	31004	16	10,5



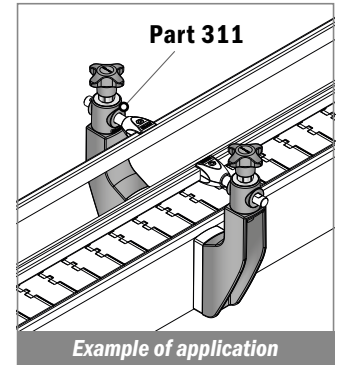
Materiale / Material / Materialien: Supporto: PA/Support: PA/Halter: PA
 Volantino: PA+ottone nichelato/Knob: PA+nickel plated brass/Stemgriff: PA+ Messing vernickelt
 Tirante: Acciaio inox/Eyebolt: Stainless steel/Augenschraube: Edelstahl
 Testina: PA o Acciaio inox/Head: PA or stainless steel/Schwenkkopf: PA oder Edelstahl
 Vite, rondella e dado: Acciaio inox/Screw, washer and nut: Stainless steel/Schraube, Unterlegs und Mutter: Edelstahl

311 Supporto laterale -grande- orientabile Side bracket -large- adjustable / Geländerhalter -groß- einstellbar

Delivery: **Easy** Standard

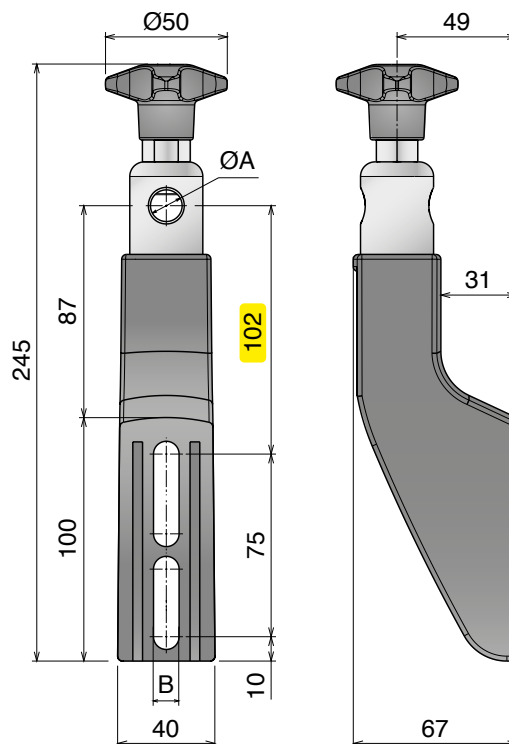


Part	Article-Nr.	ØA	B
311	31101	12	9
311	31105	14	9
311	31102	16	9
311	31103	12	10,5
311	31106	14	10,5
311	31104	16	10,5
311	31109	bracket	9
311	31110	bracket	10,5

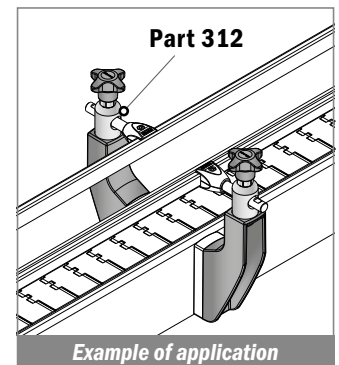


312 Supporto laterale -grande- orientabile Acciaio inox Side bracket -large- adjustable stainless steel / Geländerhalter -groß- einstellbar edelstahl

Delivery: **Easy** Standard




Part	Article-Nr.	ØA	B
312	31201	12	9
312	31205	14	9
312	31202	16	9
312	31203	12	10,5
312	31206	14	10,5
312	31204	16	10,5

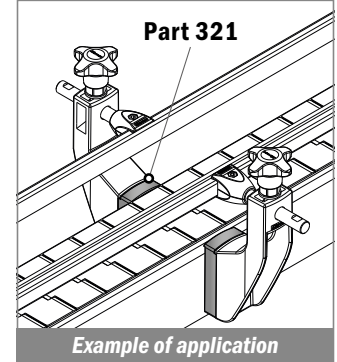
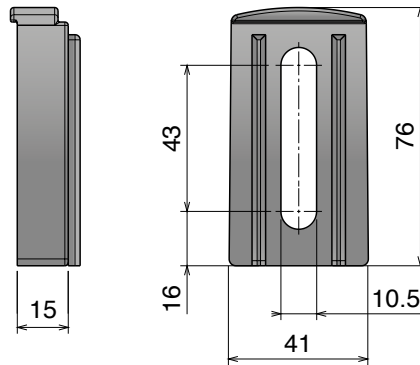


321 Distanziale per supporto -piccolo
Spacer for bracket -small / Distanzstück für Geländerhalter -klein

NOW ALSO IN HYGIENIC BLUE


Delivery: **Easy** **Standard** Used with bracket Part. 301-302 Pag 450

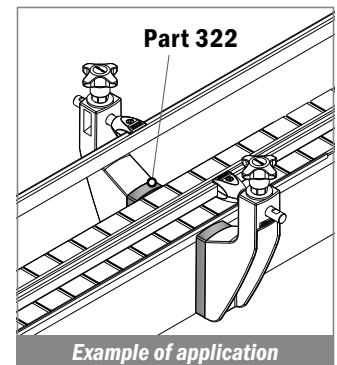
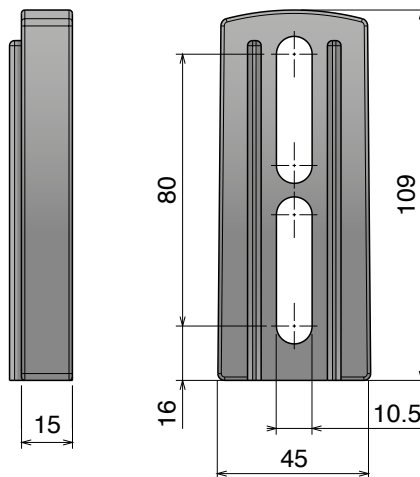
Part	Article-Nr.	Colour
	32101	Black
	32151	Hygienic blue



322 Distanziale per supporto -medio
Spacer for bracket -medium / Distanzstück für Geländerhalter -medium


Delivery: **Easy** **Standard** Used with bracket Part. 305-306-307-308 Pag 451-452

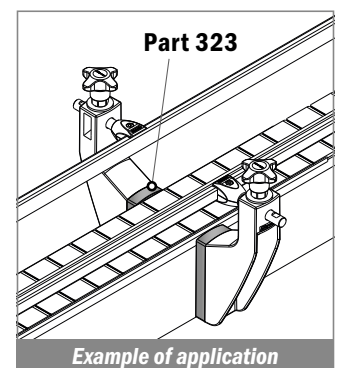
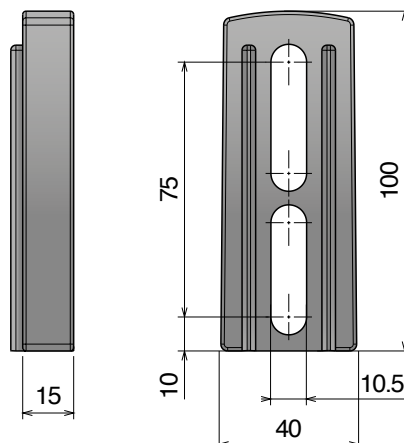
Part	Article-Nr.	Colour
	32201	Black



323 Distanziale per supporto -grande
Spacer for bracket -large / Distanzstück für Geländerhalter -groß

Delivery: **Easy** **Standard** Used with bracket Part. 309-310-311-312 Pag 453-454

Part	Article-Nr.	Colour
	32301	Black



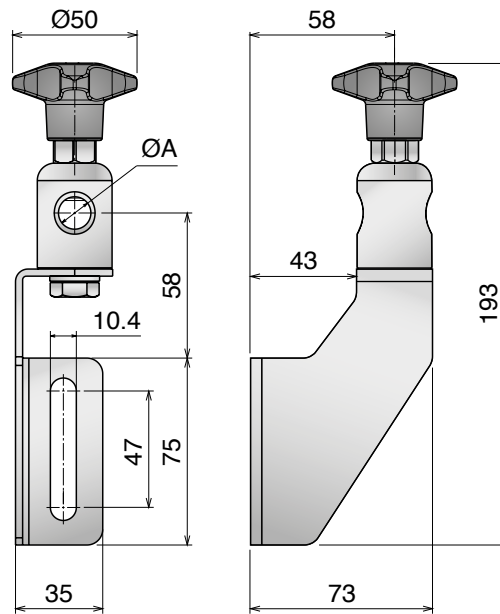
Materiale / Material / Materialien:

Supporto: Acciaio inox AISI 304 / Support: Stainless steel AISI 304 / Halter: Edelstahl AISI 304
Volantino: PA+ottone nichelato / Knob: PA+nickel plated brass / Sterngriff: PA+Messing vernickelt

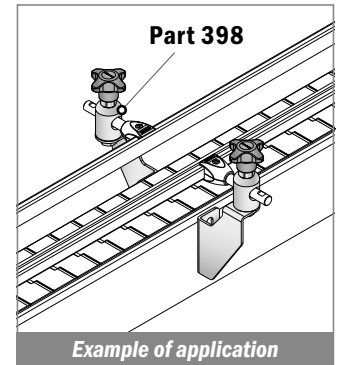
398 Supporto laterale inox -medio- orientabile SS bracket -medium- adjustable / Edelstahl Geländerhalter -medium- einstellbar

NOW ALSO IN HYGIENIC BLUE

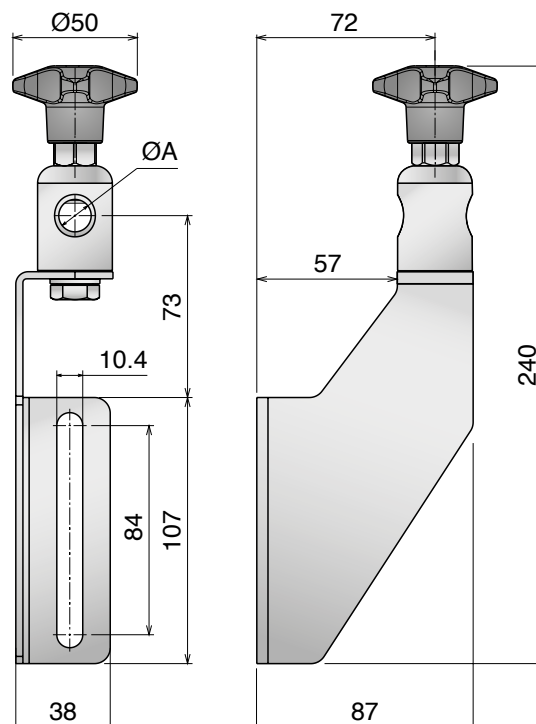
Delivery: **Easy** Standard



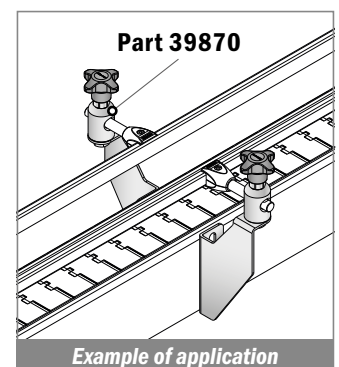
Part	Article-Nr.	ØA	Knob Colour
398	39860	12	Black
398	39862	14	Black
398	39861	16	Black
398	9860HB	12	Hygienic blue
398	9862HB	14	Hygienic blue
398	9861HB	16	Hygienic blue



Supporto laterale inox -grande- orientabile SS bracket -large- adjustable / Edelstahl Geländerhalter -groß- einstellbar



Part	Article-Nr.	ØA	Knob Colour
398	39870	12	Black
398	39872	14	Black
398	39871	16	Black
398	9870HB	12	Hygienic blue
398	9872HB	14	Hygienic blue
398	9871HB	16	Hygienic blue



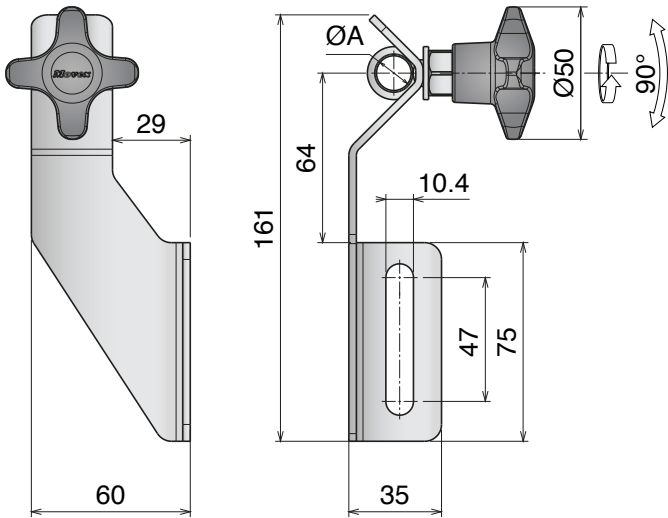
NEW

398

Supporto laterale inox - piccolo
 SS bracket - small / Edelstahl Geländerhalter - klein

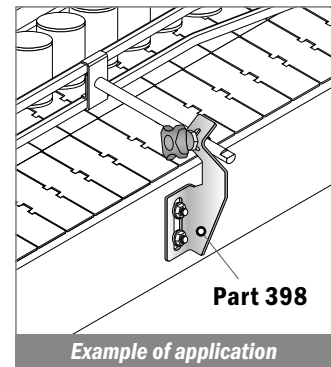
Stainless Steel | AISI 304

Width 60 mm – Height 64 mm



Advantages:

- Hygienic design
- Stronger design
- Easy to install
- Corrosion resistant
- High temperature resistant
- Fixing system customizable



Stainless steel knob

Plastic knob

Stainless steel nut



Part	Article-Nr.	ØA
398	39810SK	12-13
398	39811SK	14
398	39812SK	16

Part	Article-Nr.	ØA
398	39810	12-13
398	39811	14
398	39812	16

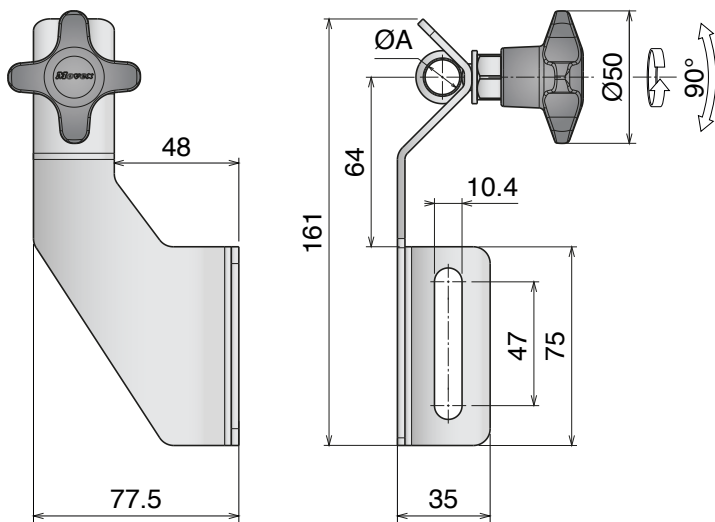
Part	Article-Nr.	ØA
398	39810S	12-13
398	39811S	14
398	39812S	16

NEW 398

Supporto laterale inox - medio
 SS bracket - medium / Edelstahl Geländerhalter - medium

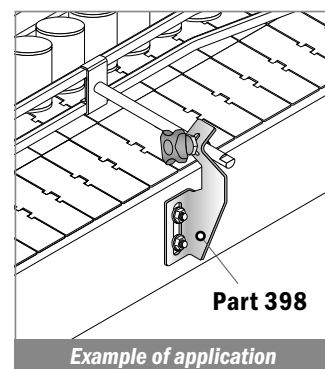
Stainless Steel | AISI 304

Width 77,5 mm - Height 64 mm



Advantages:

- Hygienic design
- Stronger design
- Easy to install
- Corrosion resistant
- High temperature resistant
- Fixing system customizable



Stainless steel knob



Plastic knob



Stainless steel nut



Part	Article-Nr.	ØA
398	39820SK	12-13
398	39821SK	14
398	39822SK	16

Part	Article-Nr.	ØA
398	39820	12-13
398	39821	14
398	39822	16

Part	Article-Nr.	ØA
398	39820S	12-13
398	39821S	14
398	39822S	16

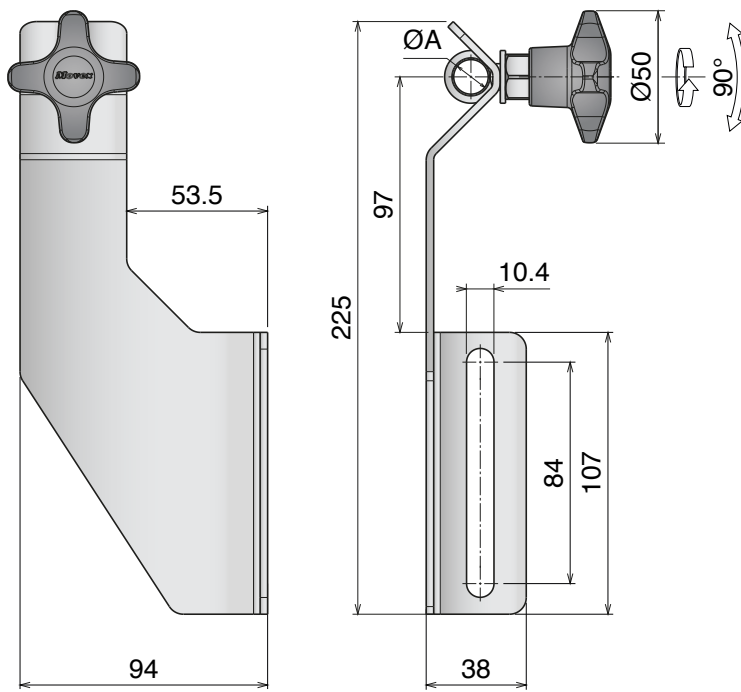
NEW

398 Supporto laterale inox - grande SS bracket -large / Edelstahl Geländerhalter -groß

Stainless Steel | AISI 304

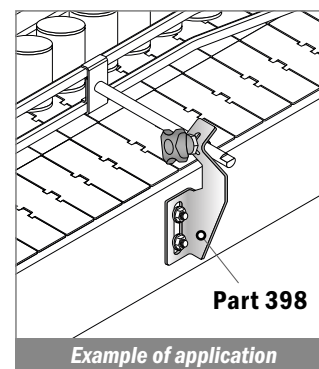
Delivery: **Easy** Standard

Width 94 mm - Height 97 mm



Advantages:

- Hygienic design
- Stronger design
- Easy to install
- Corrosion resistant
- High temperature resistant
- Fixing system customizable



Stainless steel knob

Plastic knob

Stainless steel nut



Part	Article-Nr.	ØA
398	39830SK	12-13
398	39831SK	14
398	39832SK	16

Part	Article-Nr.	ØA
398	39830	12-13
398	39831	14
398	39832	16

Part	Article-Nr.	ØA
398	39830S	12-13
398	39831S	14
398	39832S	16

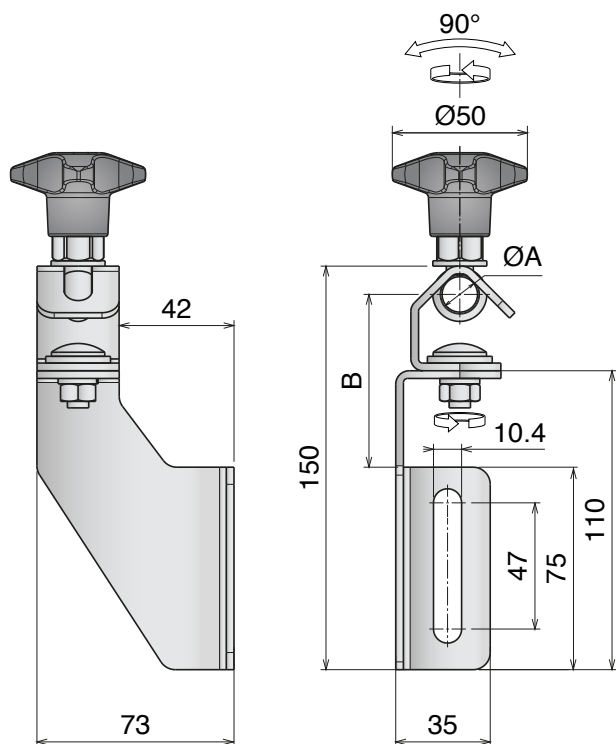
Material / Material / Materialien: Supporto: Acciaio inox/Support: Stainless steel/Halter: Edelstahl
 Volantino: PA-Acciaio inox/Knob: PA-Stainless steel/Sterngriff: PA-Edelstahl
 Tirante: Acciaio inox/Eyebolt: Stainless steel/Augenschraube: Edelstahl
 Vite, rondella e dado: Acciaio inox / Screw, washer and nut: Stainless steel / Schraube, Scheibe und Mutter: Edelstahl

NEW 398

Supporto laterale inox -medio- orientabile
 SS bracket -medium- adjustable / Edelstahl Geländerhalter -medium- einstellbar

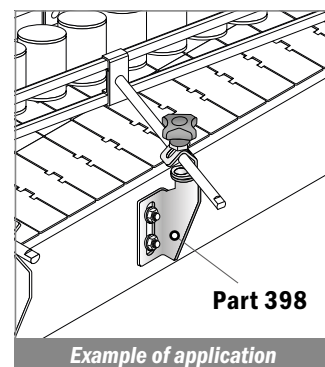
Stainless Steel | AISI 304

Width 73 mm - Height 64 mm



Advantages:

- Hygienic design
- Stronger design
- Easy to install
- Corrosion resistant
- High temperature resistant
- Fixing system customizable



Stainless steel knob



Plastic knob



Stainless steel nut



Part	Article-Nr.	ØA	B
398	39840SK	12-13	64
398	39841SK	14	62,5
398	39842SK	16	61

Part	Article-Nr.	ØA	B
398	39840	12-13	64
398	39841	14	62,5
398	39842	16	61

Part	Article-Nr.	ØA	B
398	39840S	12-13	64
398	39841S	14	62,5
398	39842S	16	61

NEW

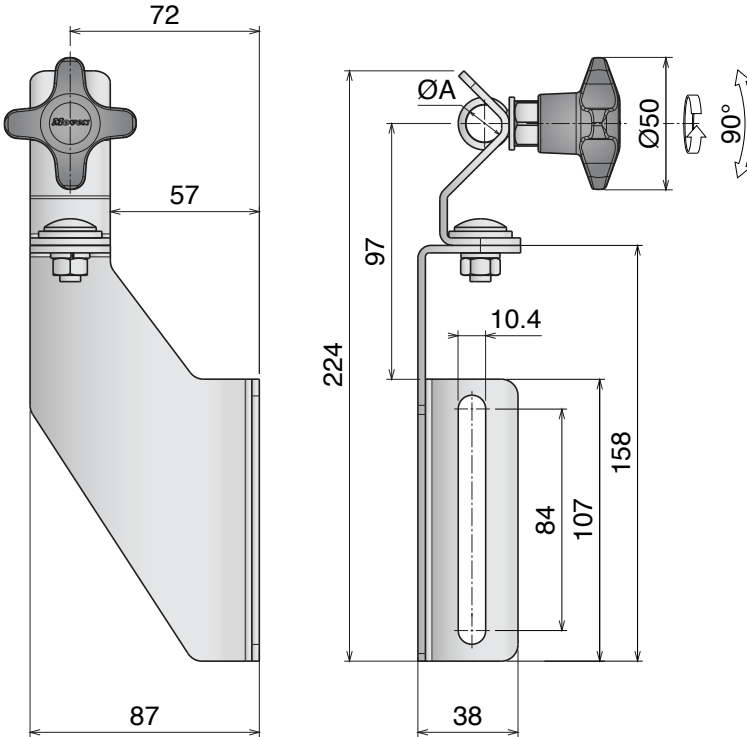
398

Supporto laterale inox -grande- orientabile
 SS bracket -large- adjustable / Edelstahl Geländerhalter -groß- einstellbar

Stainless Steel | AISI 304

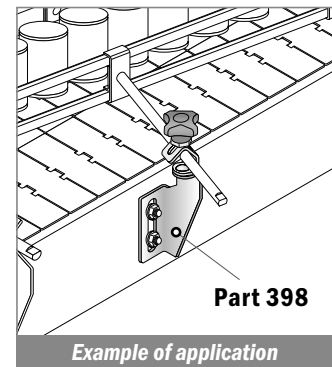
Delivery: **Easy** Standard

Width 87 mm - Height 97 mm



Advantages:

- Hygienic design
- Stronger design
- Easy to install
- Corrosion resistant
- High temperature resistant
- Fixing system customizable



Stainless steel knob

Plastic knob

Stainless steel nut



Part	Article-Nr.	ØA
398	39850SK	12-13
398	39851SK	14
398	39852SK	16

Part	Article-Nr.	ØA
398	39850	12-13
398	39851	14
398	39852	16

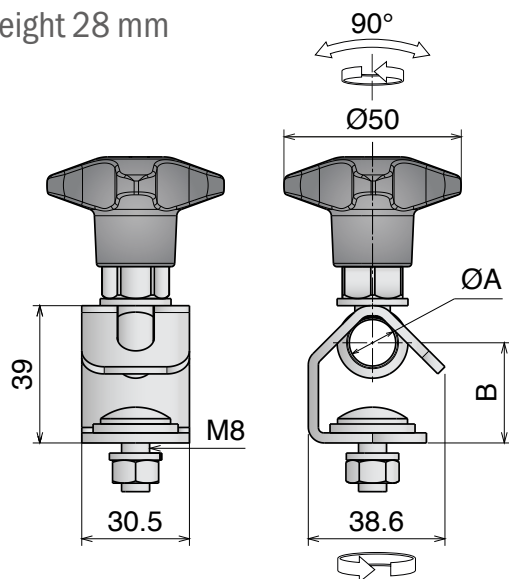
Part	Article-Nr.	ØA
398	39850S	12-13
398	39851S	14
398	39852S	16

NEW 398

Testina orientabile inox - media
 Stainless steel adjustable head - medium / Edelstahl Schwenkkopf - medium

Stainless Steel | AISI 304

Height 28 mm



Advantages:

- Hygienic design
- Stronger design
- Easy to install
- Corrosion resistant
- High temperature resistant
- Fixing system customizable

Stainless steel knob



Plastic knob



Stainless steel nut



Part	Article-Nr.	ØA	B
398	39845SK	12-13	29
398	39846SK	14	27,5
398	39847SK	16	26

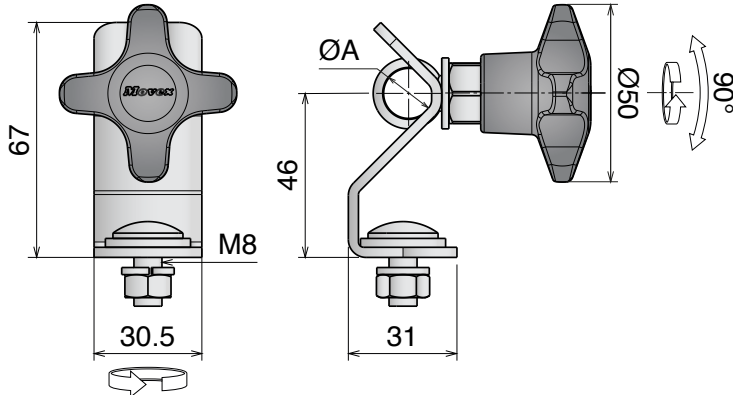
Part	Article-Nr.	ØA	B
398	39845	12-13	29
398	39846	14	27,5
398	39847	16	26

Part	Article-Nr.	ØA	B
398	39845S	12-13	29
398	39846S	14	27,5
398	39847S	16	26

NEW 398 Testina orientabile inox -alta
Stainless steel adjustable head -large / Edelstahl Schwenkopf -groß

Stainless Steel | AISI 304

Height 46 mm



Advantages:

- Hygienic design
- Stronger design
- Easy to install
- Corrosion resistant
- High temperature resistant
- Fixing system customizable

Stainless steel knob



Part	Article-Nr.	ØA
398	39855SK	12-13
398	39856SK	14
398	39857SK	16

Plastic knob



Part	Article-Nr.	ØA
398	39855	12-13
398	39856	14
398	39857	16

Stainless steel nut



Part	Article-Nr.	ØA
398	39855S	12-13
398	39856S	14
398	39857S	16

313-314

Componenti / Conveyor components / Komponenten

Materiale / Material / Materialien:

Volantino: PA+ottone nichelato / Knob: PA+nickel plated brass / Sterngriff: PA+ Messing vernickelt

Tirante: Acciaio inox / Eyebolt: Stainless steel / Augenschraube: Edelstahl

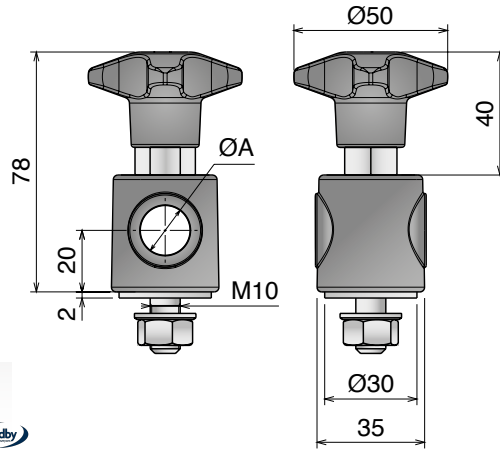
Testina: PA o Acciaio inox / Head: PA or stainless steel / Schwenkopf: PA oder Edelstahl

Vite, rondella e dado: Acciaio inox / Screw, washer and nut: Stainless steel / Schraube, Scheibe und Mutter: Edelstahl

313 Testina orientabile Adjustable head / Schwenkopf

NOW ALSO IN HYGIENIC BLUE

Delivery: **Easy** Standard

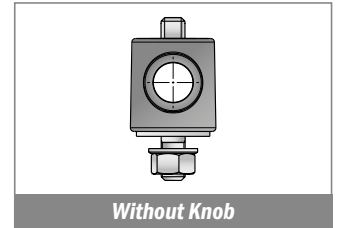


Spacer

31330



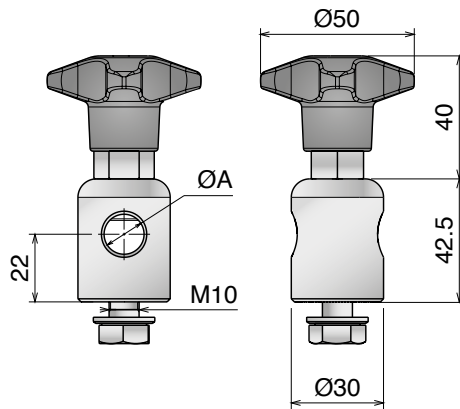
Part	Article-Nr.	ØA	Knob Colour
313	31301	12	Black
313	31303	14	Black
313	31302	16	Black
313	31351	12	Hygienic blue
313	31353	14	Hygienic blue
313	31352	16	Hygienic blue
313	31311	12-without knob	-
313	31313	14-without knob	-
313	31312	16-without knob	-



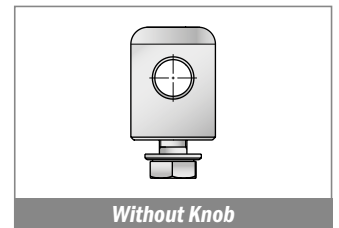
314 Testina orientabile, acciaio inox Adjustable head, stainless steel / Schwenkopf, Edelstahl

NOW ALSO IN HYGIENIC BLUE

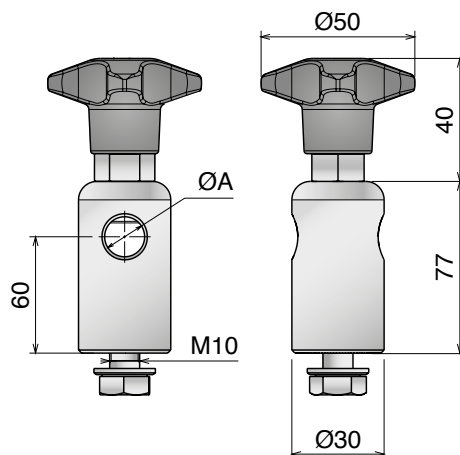
Delivery: **Easy** Standard



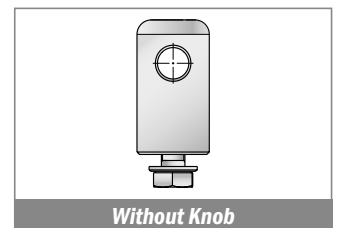
Part	Article-Nr.	ØA	Knob Colour
314	31401	12	Black
314	31403	14	Black
314	31402	16	Black
314	31451	12	Hygienic blue
314	31453	14	Hygienic blue
314	31452	16	Hygienic blue
314	31411	12-without knob	-
314	31413	14-without knob	-
314	31412	16-without knob	-



Testina orientabile alta, acciaio inox Adjustable head, stainless steel / Schwenkopf, Edelstahl



Part	Article-Nr.	ØA
314	31409	12
314	31414	14
314	31410	16
314	31419	12-without knob
314	31421	14-without knob
314	31420	16-without knob



Core product range

Available from stock in Leicester

Easy Available from stock in Italy

Standard Produced to order in Italy


Movex

315 Supporto laterale "L" L-bracket / Winkel

Stainless Steel | AISI 304

Delivery: **Easy** **Standard**

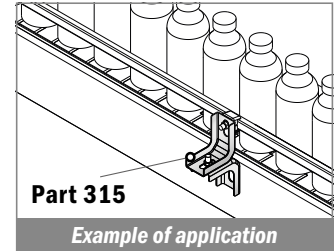
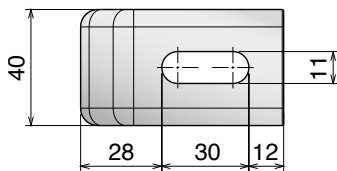
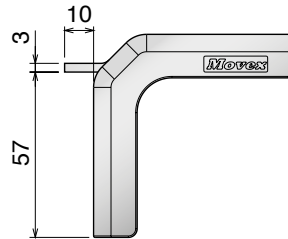
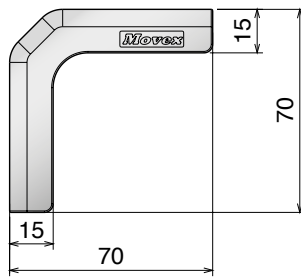
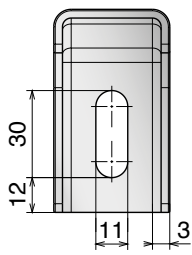
Part	Article-Nr.	Type
------	-------------	------

	315	31501	A
	315	31502	B



TYPE A - WITHOUT NOSE

TYPE B - WITH NOSE




316 Supporto laterale "L" L-bracket / Winkel

Stainless Steel | AISI 304

Delivery: **Easy** **Standard**

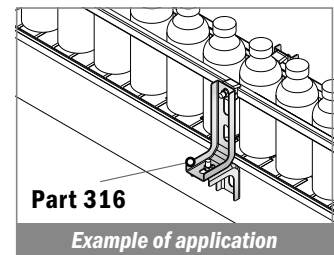
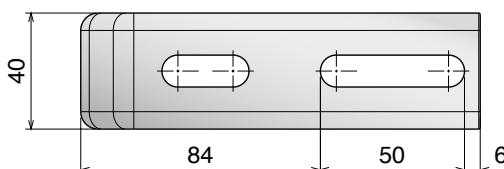
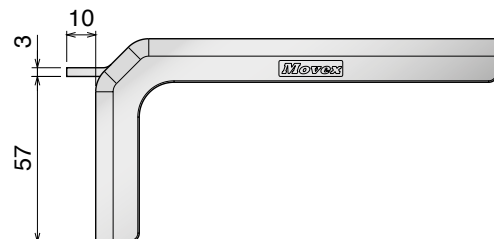
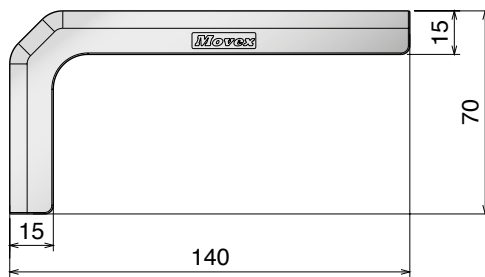
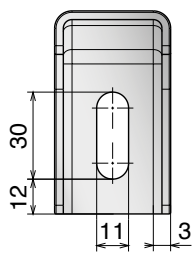
Part	Article-Nr.	Type
------	-------------	------

	316	31601	A
	316	31602	B



TYPE A - WITHOUT NOSE

TYPE B - WITH NOSE




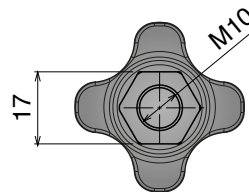
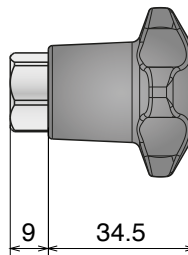
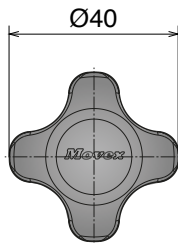
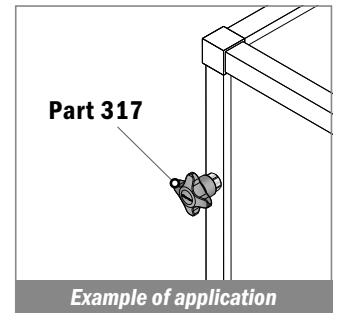
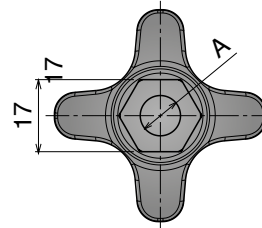
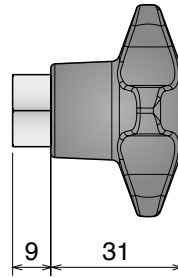
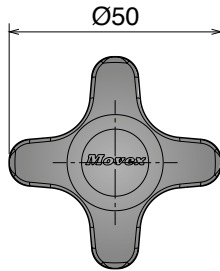
Materiale / Material / Materialien:
 Poliammide + ottone nichelato
 Polyamide + nickel plated brass
 Polyamid + Messing vernickelt

317 Volantino Star knob / Sterngriff

NOW ALSO IN HYGIENIC BLUE


Delivery: **Easy** **Standard**

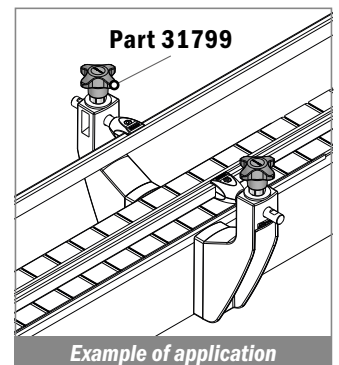
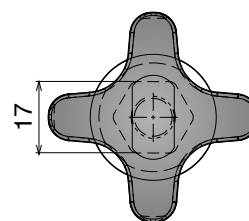
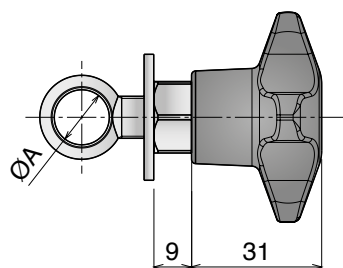
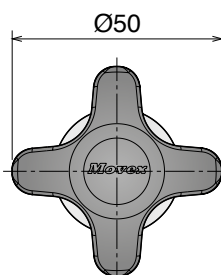
Part	Article-Nr.	A	Ø	Knob Colour
317	31702	M10	40	Black
317	31703	M8	50	Black
 317	31701	M10	50	Black
317	31704	M12	50	Black
317	31753	M8	50	Hygienic blue
317	31751	M10	50	Hygienic blue
317	31754	M12	50	Hygienic blue



Volantino con tirante Star knob with eye-bolt / Sterngriff mit Augenschraube

NOW ALSO IN HYGIENIC BLUE

Part	Article-Nr.	ØA	Knob Colour
 317	31799	12	Black
317	31797	14	Black
317	31798	16	Black
317	31759	12	Hygienic blue
317	31757	14	Hygienic blue
317	31758	16	Hygienic blue



Materiale / Material / Materialien:

Poliammide + ottone nichelato / Acciaio inox / Ottone
 Polyamide + nickel plated brass / Stainless steel / Brass
 Polyamid + Messing vernickelt / Edelstahl / Messing

318-319-3001

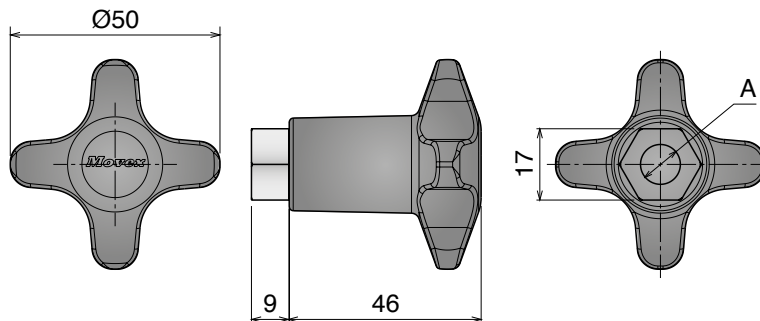
Componenti / Conveyor components / Komponenten

318 Volantino Star knob / Sterngriff

RANGE EXTENSION

Delivery: **Easy** **Standard**

Part	Article-Nr.	A
318	31802	M8
318	31801	M10
318	31803	M12

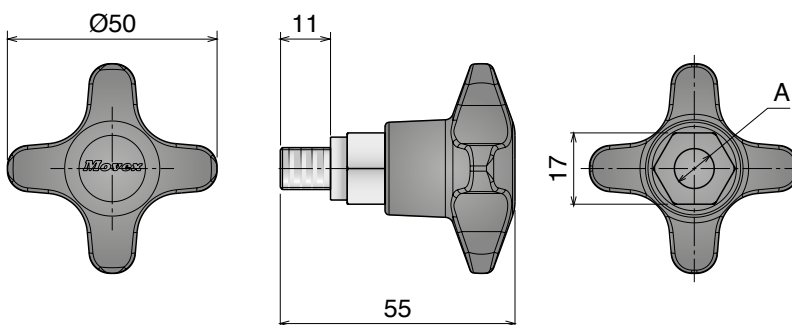


319 Volantino Star knob / Sterngriff

RANGE EXTENSION

Delivery: **Easy** **Standard**

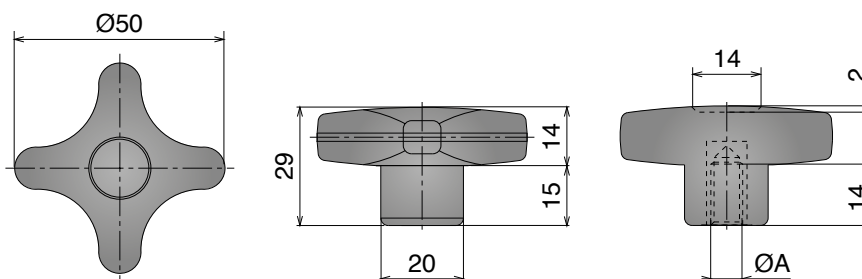
Part	Article-Nr.	A
319	31903	M8
319	31901	M10
319	31904	M12



3001 Volantino a croce con boccola filettata Star knob with threaded bush / Sterngriff mit Innengewinde

RANGE EXTENSION

Part	Article-Nr.	ØA	Threaded bush
3001	300103	M8	Stainless steel
3001	300101	M10	Stainless steel
3001	300105	M12	Stainless steel
3001	300104	M8	Brass
3001	300102	M10	Brass
3001	300106	M12	Brass



317-320-3007

Componenti / Conveyor components / Komponenten

Materiali / Material / Materialien:

Part. 317: Acciaio inox / Stainless steel / Edelstahl

Part. 320: Poliammide + ottone nichelato / Polyamide + nickel plated brass / Polyamid + messing vernickelt

Part.3007: Poliammide + ottone / Polyamide + brass / Polyamid + messing

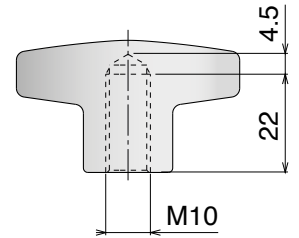
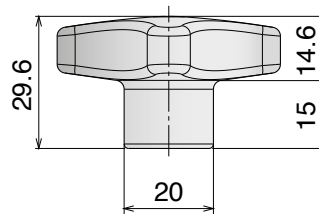
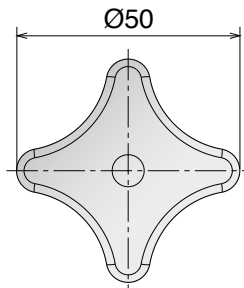
NEW 317

Volantino Acciaio inox
Star knob stainless steel / Sterngriff Edelstahl

Stainless Steel | AISI 304

Delivery: **Easy** Standard

Part	Article-Nr.	ØA
317	31721	M10

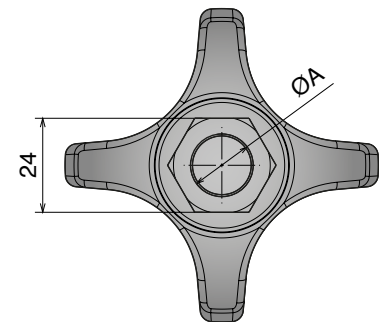
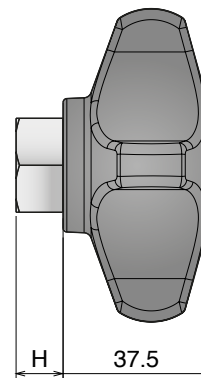
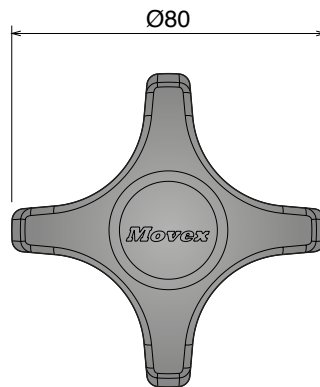


320

Volantino Ø80
Star knob Ø80 / Sterngriff Ø80

Delivery: **Easy** Standard

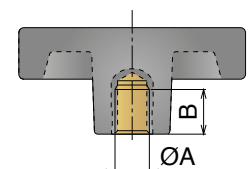
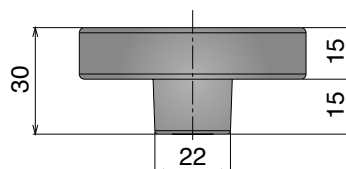
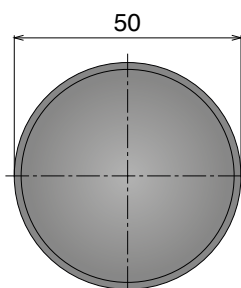
Part	Article-Nr.	ØA	H
320	32001	M12	12
320	32002KN	M16	15



NEW 3007

Impugnatura con boccia filettata
Knob with threaded bushing / Drehgriff mit Gewindebuchse

Part	Article-Nr.	ØA	B
3007	300701	M8	15
3007	300702	M10	14
3007	300703	M12	18



Materiale / Material / Materialien:

Part. 3008: Poliammide + acciaio zincato / Polyamide + galvanised steel

Polyamid + verzinktem stahl

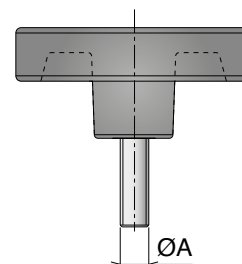
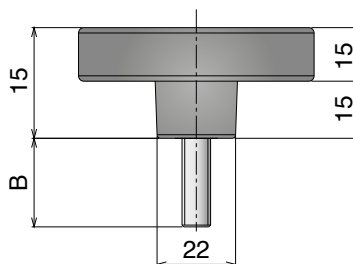
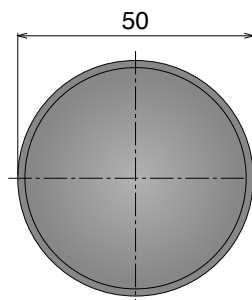
Part. 3002: Poliammide + ottone / Polyamide + brass / Polyamid + messing

3008-3002

Componenti / Conveyor components / Komponenten

NEW 3008 Impugnatura con perno filettato
Knob with threaded pin / Drehgriffschraube

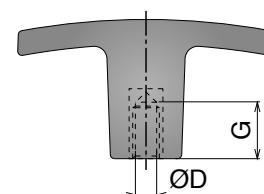
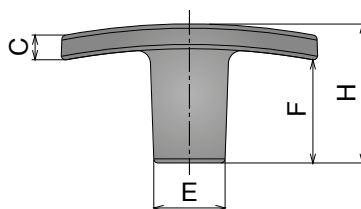
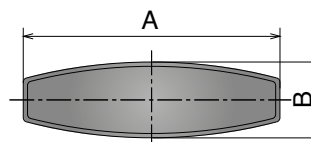
Part	Article-Nr.	ØA	B
3008	300801	M8	25
3008	300802	M10	25
3008	300803	M12	30



3002 Tirante con boccola filettata
Handle with threaded insert / T-Griff mit Innengewinde

Delivery: **Easy** Standard

Part	Article-Nr.	A	B	C	ØD	E	F	G	H
3002	300201	50	15	5	M6	14	17	10	24
3002	300202	50	15	5	M8	14	17	14	24
3002	300203	60	18	6	M10	16.5	24	21	33



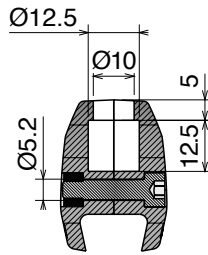
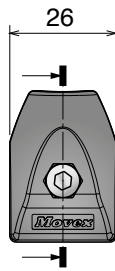
• **Materiale / Material / Materialien:** Morsetti: PA/Clamp: PA/Klemme: PA
 Vite, perno e rondella: Acciaio inox/Screw, pin and washer: Stainless steel
 Schraube, Bolzen und Scheibe: Edelstahl
 Dado: ottone nichelato/Nut: nickel plated brass/Mutter: Messing vernickelt

324

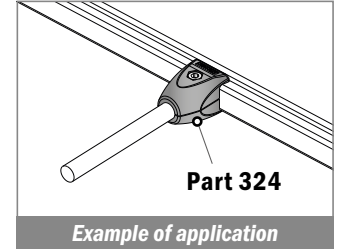
Morsetto singolo per guida laterale conica
 Single clamp for conical side guide / Einfachklemme für konische Seitenführung

NOW ALSO IN HYGIENIC BLUE

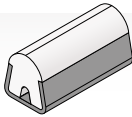
Delivery: **Easy** **Standard** Used with Part 349/350 Pag 478 and Part 356 Pag 481



Part	Article-Nr.	ØA	Colour
324	32401	without pin	Black
324	32451	without pin	Hygienic blue



Used with
Guide rail
 Pag 348

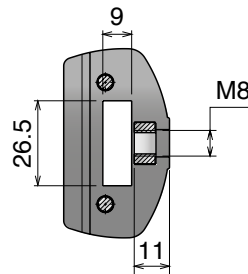
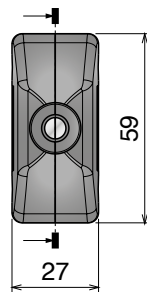
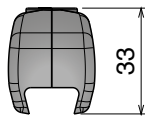


325

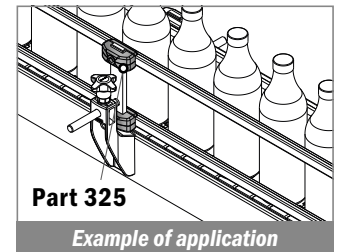
Morsetto singolo per guida laterale conica
 Single clamp for conical side guide / Einfachklemme für konische Seitenführung

NOW ALSO IN HYGIENIC BLUE

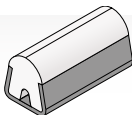
Delivery: **Easy** **Standard**



Part	Article-Nr.	ØA	Colour
325	32501	without pin	Black
325	32551	without pin	Hygienic blue



Used with
Guide rail
 Pag 348

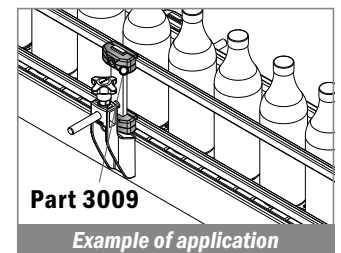
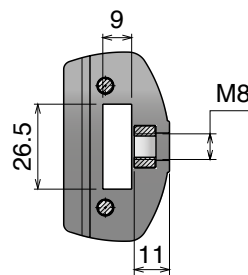
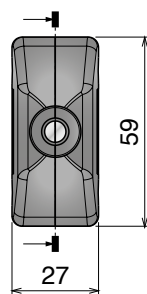
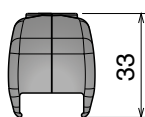


NEW 3009

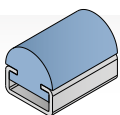
Morsetto singolo per guida laterale
 Single clamp for side guide / Einfachklemme für Seitenführung

NOW ALSO IN HYGIENIC BLUE

Part	Article-Nr.	ØA	Colour
3009	300901	without pin	Black
3009	300902	without pin	Hygienic blue



Used with
PART 134
 Pag 383



Materiale / Material / Materialien:

Part. 326: Poliammide/Polyamide/Polyamid
 Part. 3013: Acciaio inox / Stainless steel / Edelstahl
 Part. 3010: Acciaio inox / Stainless steel / Edelstahl

326-3013-3010

Componenti / Conveyor components / Komponenten

326 Morsetto singolo per guida laterale conica Single clamp for conical side guide / Einfachklemme für konische Seitenführung

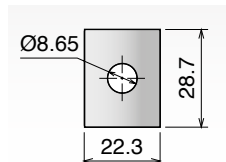
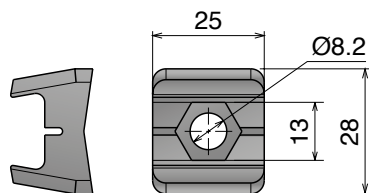
NOW ALSO IN HYGIENIC BLUE

Delivery: **Easy** **Standard**

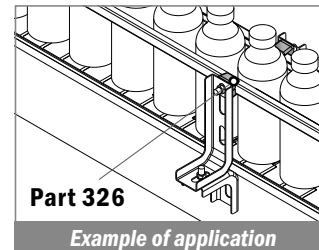
Part Article-Nr. Colour



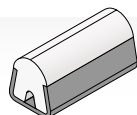
326	32601	Black
326	32651	Hygienic blue



Reinforced plate 33201
 3 mm thickness



Used with
Guide rail
 Pag 348



Part 326

Example of application

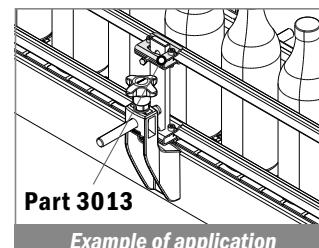
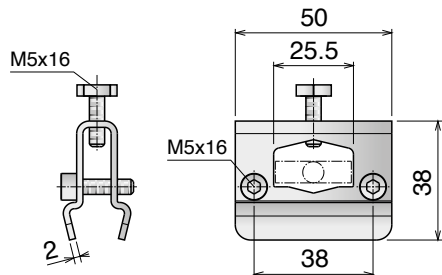
NEW 3013 Morsetto singolo per guida laterale conica Single clamp for conical side guide / Einfachklemme für konische Seitenführung

Stainless Steel | AISI 304

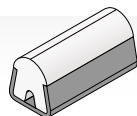
Delivery: **Easy** **Standard** Screws supplied not assembled

Part Article-Nr. Suitable for

3013	301301	● 12/14/15/16 ■ 25x6/25x8
------	--------	---------------------------



Used with
Guide rail
 Pag 348



Part 3013

Example of application

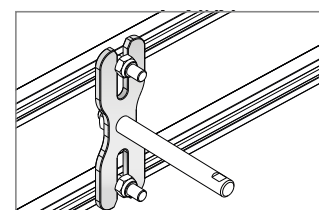
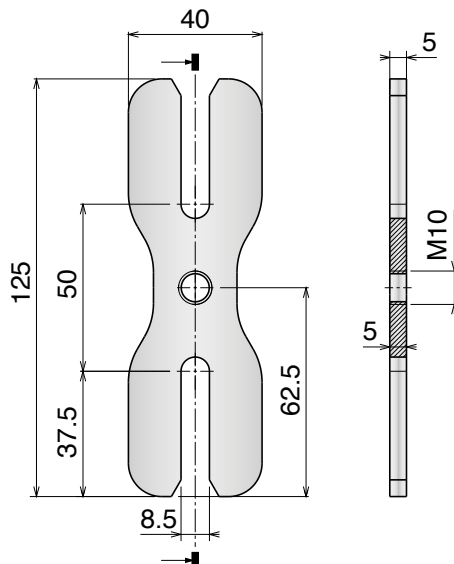
NEW 3010 Morsetto doppio regolabile Adjustable double clamp / Einstellbare Doppelklemme

Stainless Steel | AISI 304

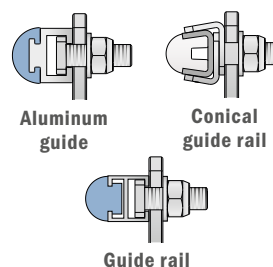
Delivery: **Easy** **Standard**

Part Article-Nr. ØA

3010	301001	without pin
------	--------	-------------



One product for different combination:



Example of application

Materiale / Material / Materialien:

Morsetto: PA/Clamp: PA/Klemme: PA

Perno e rondella: Acciaio inox/Pin and washer: Stainless steel/Bolzen und Scheibe: Edelstahl

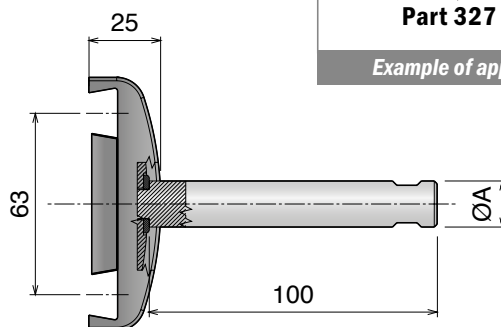
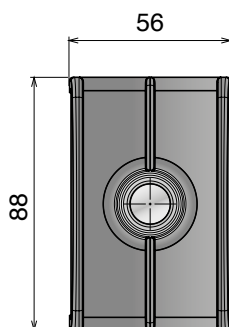
Dado: ottone nichelato/Nut: nickel plate brass/Mutter: Messing vernickelt

327

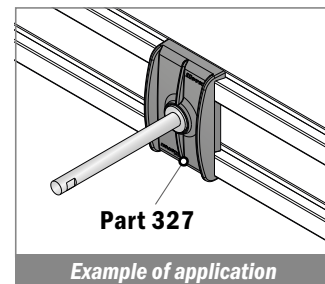
Morsetto doppio per guida laterale conica

Double clamp for conical side guide / Doppelklemme für konische Seitenführung

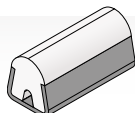
Delivery: **Easy** Standard



Part	Article-Nr.	ØA
327	32701	without pin
327	32702	12
327	32703	16



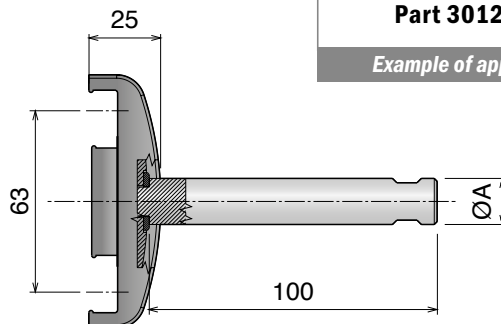
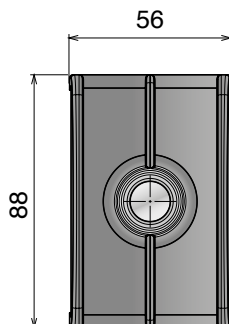
Used with
Guide rail
Pag 348



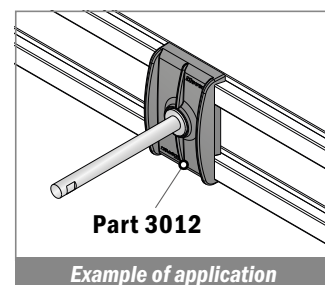
NEW 3012

Morsetto doppio per guida laterale

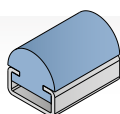
Double clamp for side guide / Doppelklemme für Seitenführung



Part	Article-Nr.	ØA
3012	301201	without pin
3012	301202	12
3012	301203	16



Used with
PART 134
Pag 383



• **Materiale / Material / Materialien:** Morsetti: PA/Clamp: PA/Klemme: PA
 Vite, perno e rondella: Acciaio inox/Screw, pin and washer: Stainless steel
 Schraube, Bolzen und Scheibe: Edelstahl
 Dado: ottone nichelato/Nut: nickel plated brass/Mutter: Messing vernickelt

337-338-339



Componenti / Conveyor components / Komponenten

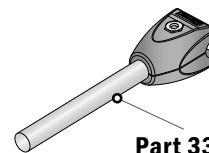
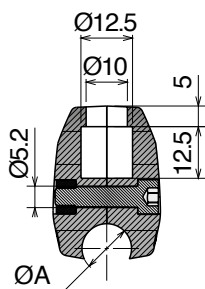
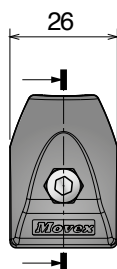
337 Morsetto singolo per tondino Single clamp for round bar / Einfachklemme für Rund Profil

NOW ALSO IN HYGIENIC BLUE

Delivery: **Easy** **Standard** Used with Part 349/350 Pag 478 and Part 356 Pag 481

Part	Article-Nr.	ØA	Colour
------	-------------	----	--------

	337	33701	10	Black
	337	33702	12	Black
	337	33751	10	Hygienic blue
	337	33752	12	Hygienic blue



Part 337



Example of application

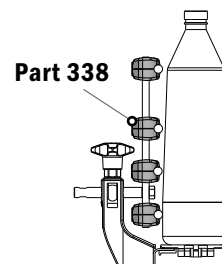
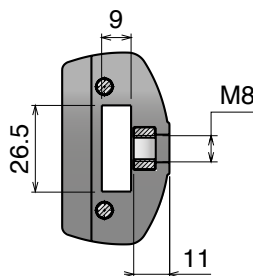
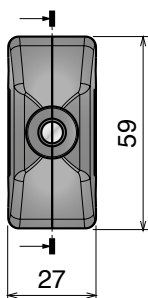
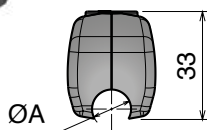
338 Morsetto singolo per tondino Single clamp for round bar / Einfachklemme für Rund Profil

NOW ALSO IN HYGIENIC BLUE

Delivery: **Easy** **Standard**

Part	Article-Nr.	ØA	Colour
------	-------------	----	--------

	338	33801	10	Black
	338	33802	12	Black
	338	33851	10	Hygienic blue
	338	33852	12	Hygienic blue



Part 338



Example of application

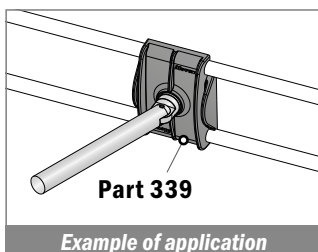
339 Morsetto doppio per tondino Double clamp for round bar / Doppelklemme für Rund Profil

NOW ALSO IN HYGIENIC BLUE

Delivery: **Easy** **Standard**

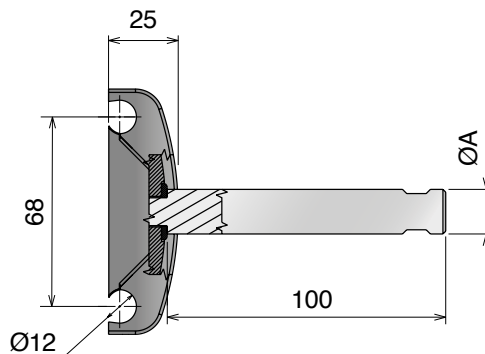
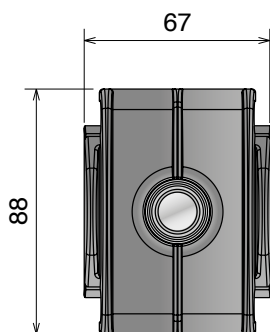
Part	Article-Nr.	ØA	Colour
------	-------------	----	--------

	339	33901	without pin	Black
	339	33902	12	Black
	339	33904	14	Black
	339	33903	16	Black
	339	33951	without pin	Hygienic blue
	339	33952	12	Hygienic blue
	339	33954	14	Hygienic blue
	339	33953	16	Hygienic blue



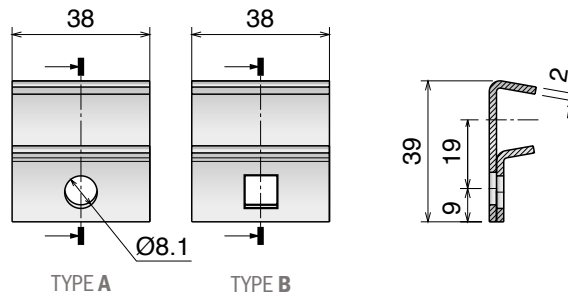
Part 339

Example of application

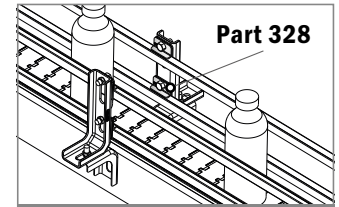


328 Morsetto singolo per guida laterale conica Single clamp for conical side guide / Einfachklemme für konische Seitenführung

Delivery: **Easy** **Standard** Used with Guide rail Pag 348



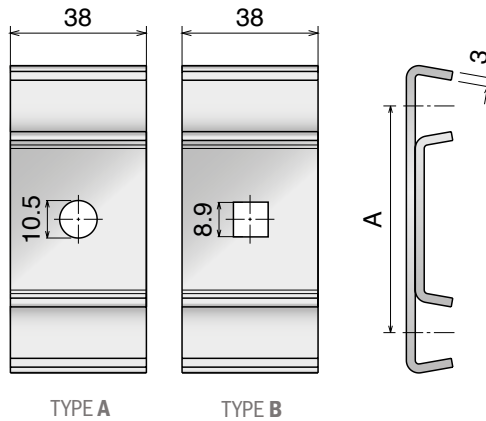
Part	Article-Nr.	Material	Type
328	32801	AISI 304	A
328	32802	AISI 304	B
328	32811	AISI 316	A



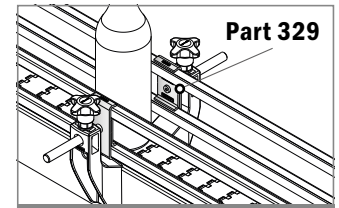
Example of application

329 Morsetto doppio per guida laterale conica Double clamp for conical side guide / Doppelklemme für konische Seitenführung

Delivery: **Easy** **Standard** Used with Guide rail Pag 348



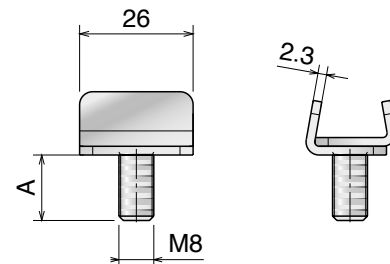
Part	Article-Nr.	A	Type
329	32904	50,0	A
329	32901	63,5	A
329	32902	82,55	A
329	32903	95,25	A
329	32911	63,5	B
329	32912	82,55	B
329	32913	95,25	B



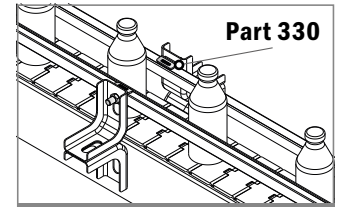
Example of application

330 Morsetto singolo per guida laterale conica Single clamp for conical side guide / Einfachklemme für konische Seitenführung

Delivery: **Easy** **Standard** Used with Guide rail Pag 348



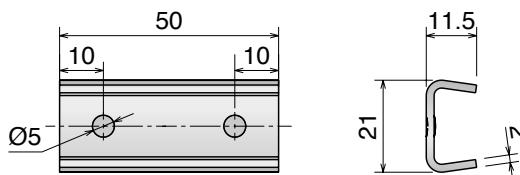
Part	Article-Nr.	A
330	33001	15
330	33003	20
330	33002	25
330	33004	30



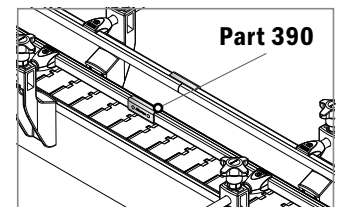
Example of application

390 Elemento di giunzione Connecting element / Verbinder

Delivery: **Easy** **Standard** Used with Guide rail Pag 348



Part	Article-Nr.
390	39001




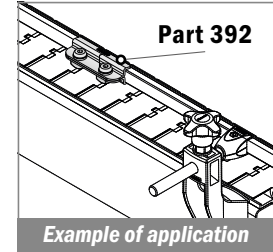
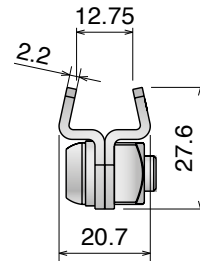
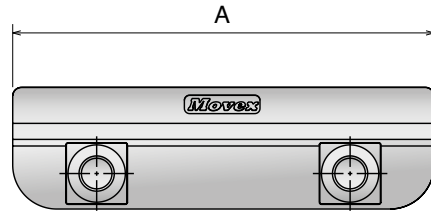
Example of application

Materiale / Material / Materialien: Acciaio inox/Stainless steel/Edelstahl
 Morsetto: Resina acetica/Clamp: Acetal resin/Klemme: Azetal
 Vite, perno e dado: Acciaio inox/Screw, pin and nut: Stainless steel
 Schraube, Bolzen und Mutter: Edelstahl

392 Elemento di connessione Connecting clamp / Verbindungsklemme

Delivery: **Easy** **Standard** Used with Guide rail Pag 348

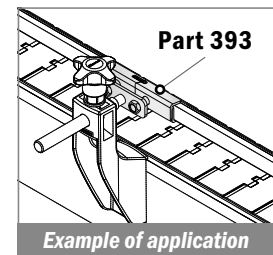
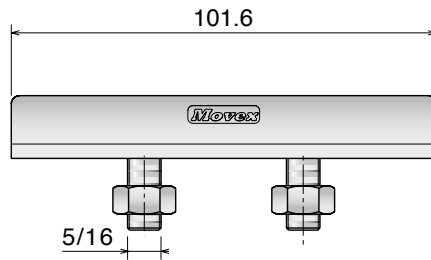
Part	Article-Nr.	A
 392	39201	75
392	39202	100
392	39203	150



393 Elemento di connessione Connecting clamp / Verbindungsklemme


Delivery: **Easy** **Standard** Used with Guide rail Pag 348

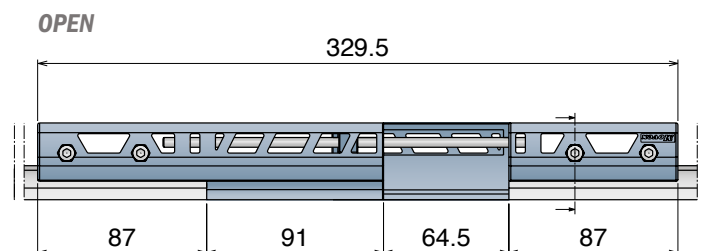
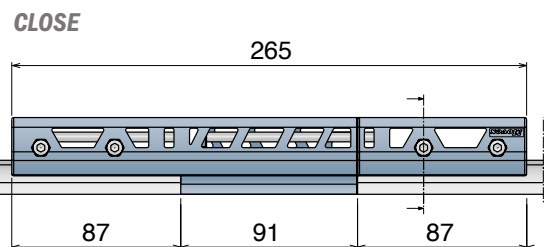
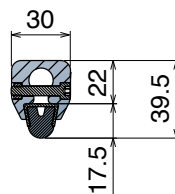
Part	Article-Nr.
393	39302



336 Morsetto regolabile guide coniche Adjustable clamp for conical guide / verstellbare Klemme für konische Führungen

Delivery: **Easy** **Standard** Used with Guide rail Pag 348


Part	Article-Nr.
 336	33601

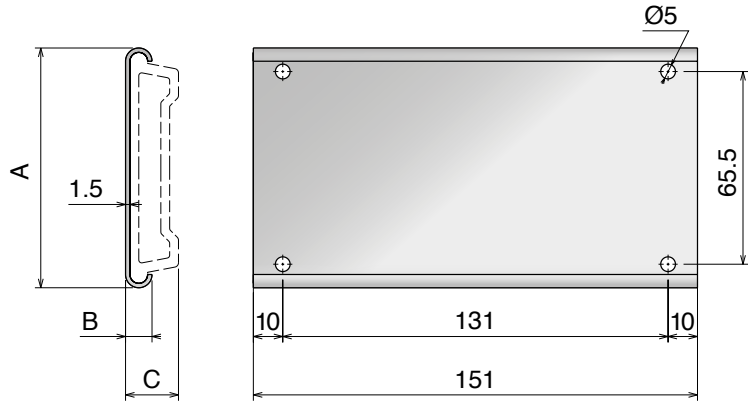


• **Materiale / Material / Materialien:** Acciaio inox/Stainless steel/Edelstahl
 Morsetto: PA/Clamp: PA/Klemme: PA
 Vite, perno e rondella: Acciaio inox/Screw, pin and washer: Stainless steel/Schraube, Bolzen und Scheibe: Edelstahl
 Dado: ottone nichelato/Nut: nickel plated brass/Mutter: Messing vernickelt

394 Morsetto di giunzione Joint clamp / Verbindungsplatte

Delivery: **Easy** **Standard** Used with Part 135/136 Pag 400

Part	Article-Nr.	A	B	C
 394	39401	81,5	9	18
394	39402	90	8	17



341 Morsetto Clamp / Klemme

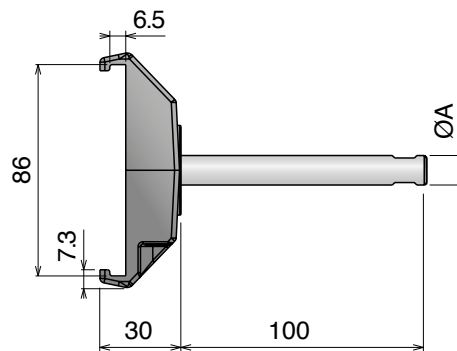
Delivery: **Easy** **Standard** Versions without pins don't include nuts and washer too

NOW ALSO IN HYGIENIC BLUE

Part	Article-Nr.	ØA	Colour
341	34101	without pin	Black
341	34102	12	Black
341	34103	16	Black
341	34151	without pin	Hygienic blue
341	34152	12	Hygienic blue
341	34153	16	Hygienic blue



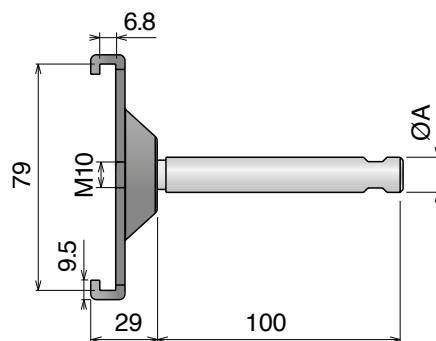
TYPE A
Used with Part 136 Pag 400



Suitable pins
Part 351/352 Pag 478-479
For straight application



TYPE B
Used with Part 135 Pag 400



NOW ALSO IN HYGIENIC BLUE

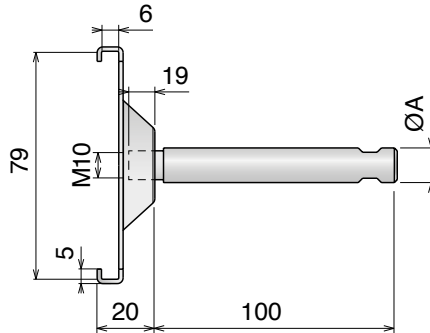
Part	Article-Nr.	ØA	Colour
341	34111	without pin	Black
341	34112	12	Black
341	34113	16	Black
341	34161	without pin	Hygienic blue
341	34162	12	Hygienic blue
341	34163	16	Hygienic blue

Suitable pins
Part 351/352 Pag 478-479
For straight application

Materiale / Material / Materialien:
 Morsetto: Acciaio inox / Clamp: SS / Klemme: Edelstahl
 Perno: Acciaio inox / Pin: SS / Blozen: Edelstahl

3310 Morsetto acciaio inox Clamp, stainless steel / Klemme, Edelstahl

Delivery: **Easy** **Standard** Used with Part 135 Pag 400 - Suitable pins Part 351/352 Pag 478-479

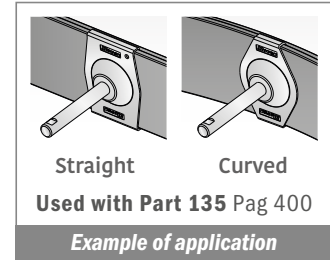


For straight application

Part	Article-Nr.	ØA
3310	33101	without pin
3310	33102	12
3310	33103	16

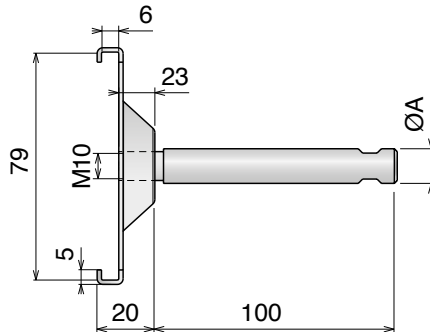
For curved application

Part	Article-Nr.	ØA
3310	33105	without pin
3310	33106	12
3310	33107	16



3311 Morsetto acciaio inox Clamp, stainless steel / Klemme, Edelstahl

Delivery: **Easy** **Standard** Suitable pins Part 3004/3005 Pag 479

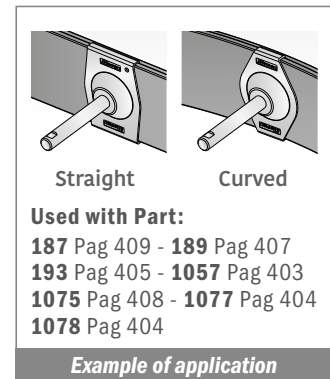


For straight application

Part	Article-Nr.	ØA
3311	33112	12
3311	33113	16

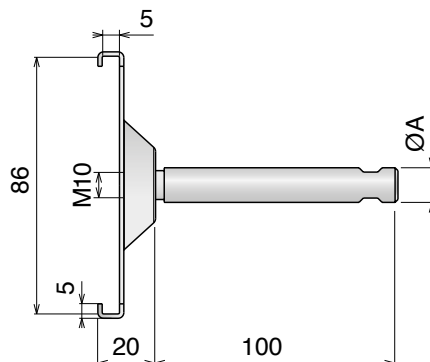
For curved application

Part	Article-Nr.	ØA
3311	33116	12
3311	33117	16

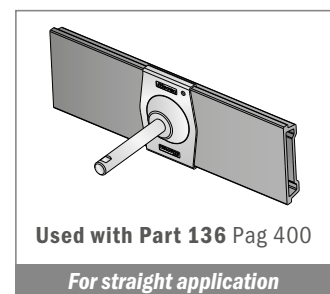


345 Morsetto acciaio inox Clamp, stainless steel / Klemme, Edelstahl

Delivery: **Easy** **Standard** Suitable pins Part 351/352 Pag 478-479



Part	Article-Nr.	ØA
345	34501	without pin
345	34502	12
345	34503	16

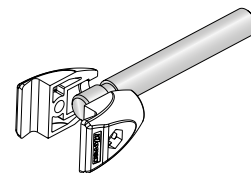


349 Perno Rod / Bolzen

Delivery: **Easy** **Standard**



Part	Article-Nr.	A
349	34901	80
349	34902	100
349	34903	150

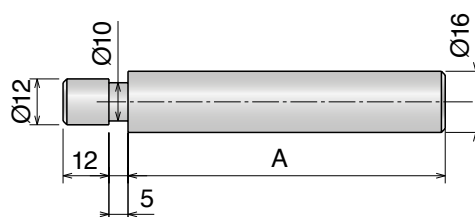


Used with Part:
324 Pag 470 - 337 Pag 473

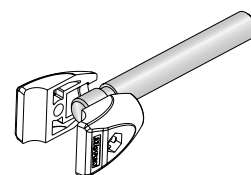
Example of application

350 Perno Rod / Bolzen

Delivery: **Easy** **Standard**



Part	Article-Nr.	A
350	35001	80
350	35002	100
350	35003	150

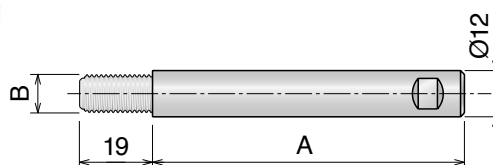


Used with Part:
324 Pag 470 - 337 Pag 473

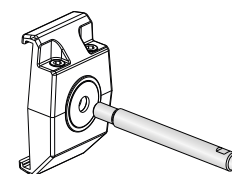
Example of application

351 Perno Rod / Bolzen

Delivery: **Easy** **Standard**



Part	Article-Nr.	A	B
351	35101	80	M10
351	35102	100	M10
351	35103	150	M10
351	35151	80	M8
351	35152	100	M8
351	35153	150	M8

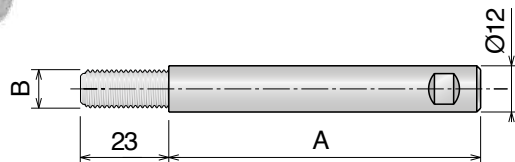


Used with Part:
341 Pag 476 - 345 Pag 477
3310 Pag 477

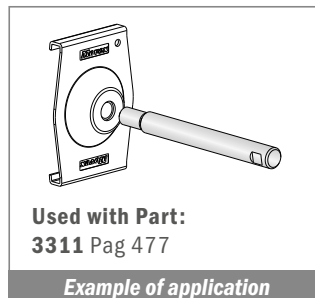
Example of application

NEW 3004 Perno Rod / Bolzen

Delivery: **Easy** **Standard**

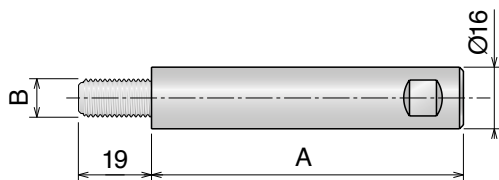


Part	Article-Nr.	A	B
3004	300401	80	M10
3004	300402	100	M10
3004	300403	150	M10
3004	300451	80	M8
3004	300452	100	M8
3004	300453	150	M8

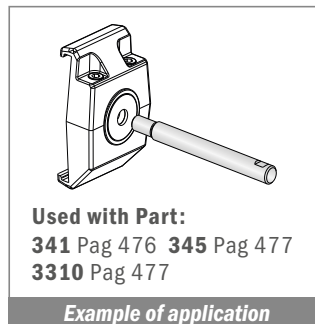


352 Perno Rod / Bolzen

Delivery: **Easy** **Standard**

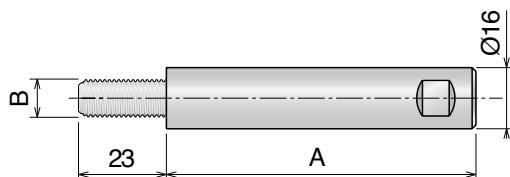


Part	Article-Nr.	A	B
352	35201	80	M10
352	35202	100	M10
352	35203	150	M10
352	35251	80	M8
352	35252	100	M8
352	35253	150	M8

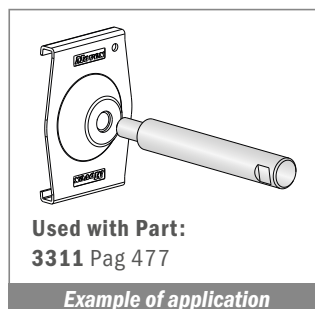


NEW 3005 Perno Rod / Bolzen

Delivery: **Easy** **Standard**

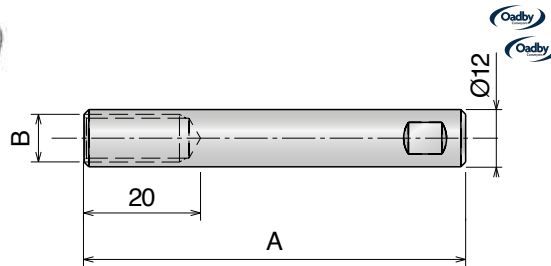


Part	Article-Nr.	A	B
3005	300501	80	M10
3005	300502	100	M10
3005	300503	150	M10
3005	300551	80	M8
3005	300552	100	M8
3005	300553	150	M8

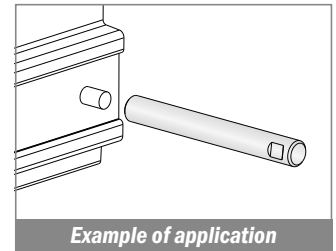


347 Perno filettato femmina Rod / Bolzen

Delivery: **Easy** **Standard**

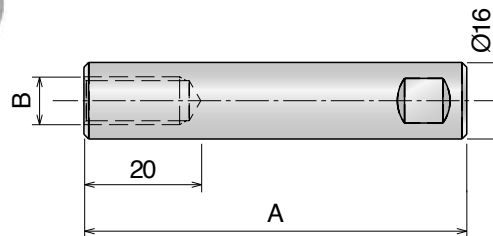


Part	Article-Nr.	A	B
347	34701	80	M10
347	34702	100	M10
347	34703	150	M10
347	34751	80	M8
347	34752	100	M8
347	34753	150	M8

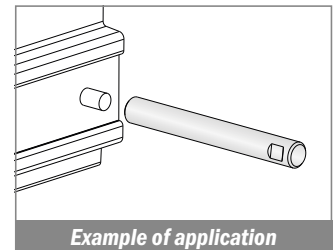


348 Perno filettato femmina Rod / Bolzen

Delivery: **Easy** **Standard**

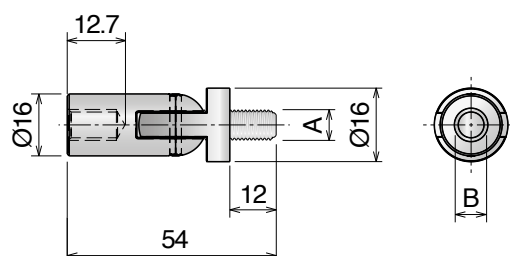


Part	Article-Nr.	A	B
348	34801	80	M10
348	34802	100	M10
348	34803	150	M10
348	34851	80	M8
348	34852	100	M8
348	34853	150	M8

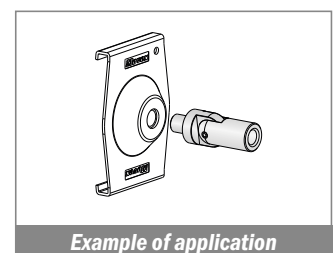


346 Snodo Joint rod adapter / Gelenk

Delivery: **Easy** **Standard**

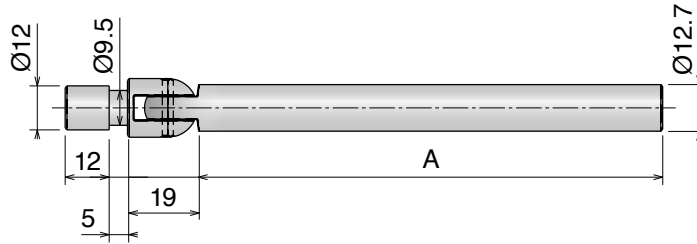


Part	Article-Nr.	A	B
346	34699	M8	M8
346	34602	M8	M10
346	34603	M10	M10

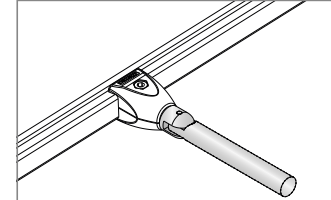


356 Perno snodato Jointed rods / Gelenkbolzen

Delivery: **Easy** **Standard**



Part	Article-Nr.	A
356	35601	80
356	35602	100
356	35603	150

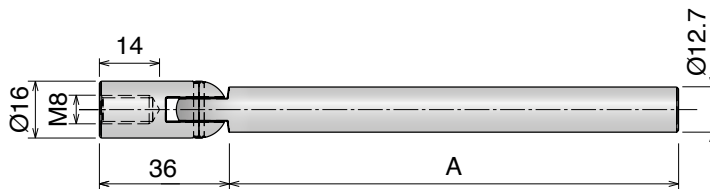


Used with Part:
 324 Pag 470
 337 Pag 473

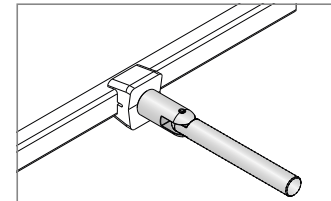
Example of application

357 Perno snodato Jointed rods / Gelenkbolzen

Delivery: **Easy** **Standard**



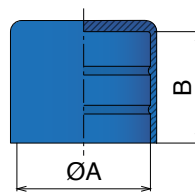
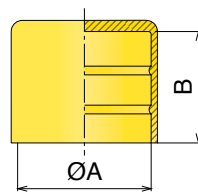
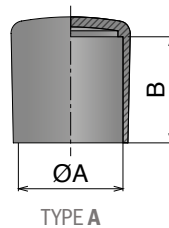
Part	Article-Nr.	A
357	35701	80
357	35702	100
357	35703	150



Example of application

NEW 3011 Cappucci terminali End caps / Abdeckstopfen

Delivery: **Easy** **Standard**



Part	Article-Nr.	ØA	B	Colour	Type
3011	301101A	Ø12	12,3	Black	A
3011	301102A	Ø14	12,8	Black	A
3011	301103A	Ø16	16,4	Black	A
3011	301104A	Ø20	20,1	Black	A
3011	301101B	Ø12	20	Yellow	B
3011	301102B	Ø14	20	Yellow	B
3011	301103B	Ø16	20	Yellow	B
3011	301104B	Ø20	20	Yellow	B
3011	301101C	Ø12	20	Hygienic blue	C
3011	301102C	Ø14	20	Hygienic blue	C
3011	301103C	Ø16	20	Hygienic blue	C
3011	301104C	Ø20	20	Hygienic blue	C

Materiale / Material / Materialien:
 Polietilene HMW-PE / Polyethylene HMW-PE / Polyethylen HMW-PE
 Rulli: resina acetalica o gomma SEBS / Rollers: Acetal Resin or SEBS rubber / Röllchen: Azetal oder SEBS gummi

335 Guide a rulli laterale Roller guides / Röllchenführung

PATENTED

Max fixing load M8 screw: 15 N/m | Minimum internal and external radius: R305



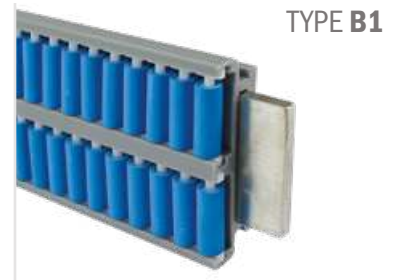
TYPE A

Part	Article-Nr.	Type
335	33502	A



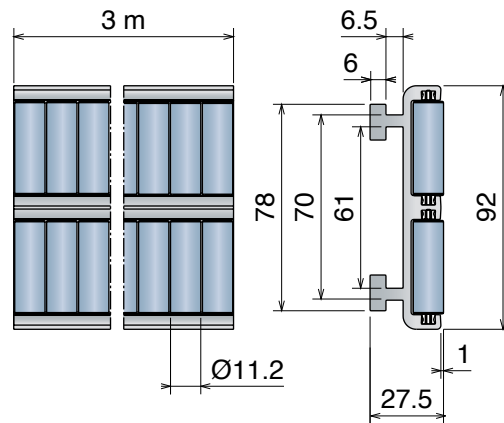
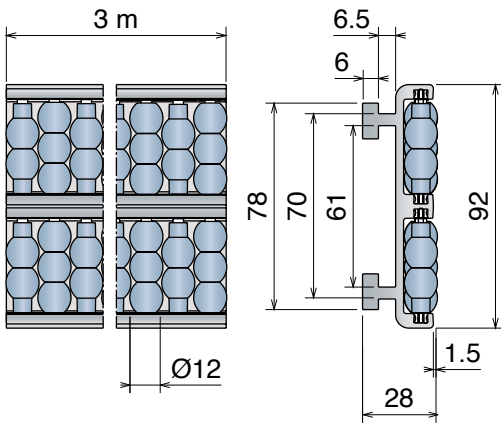
TYPE B

Part	Article-Nr.	Type
335	33504	B



TYPE B1

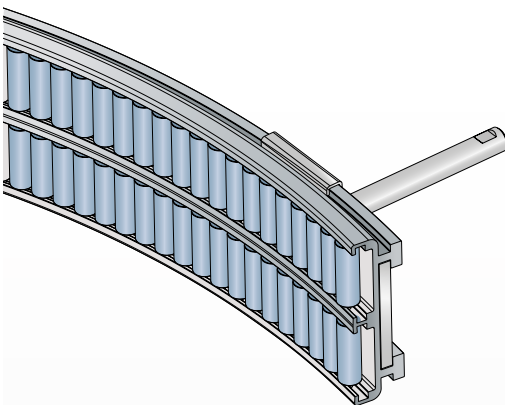
Part	Article-Nr.	Type
335	33506	B1



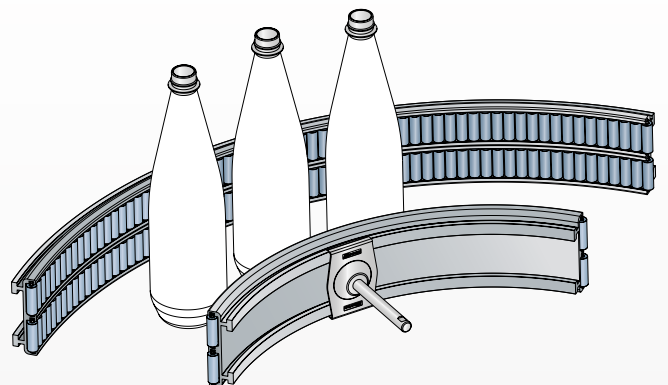
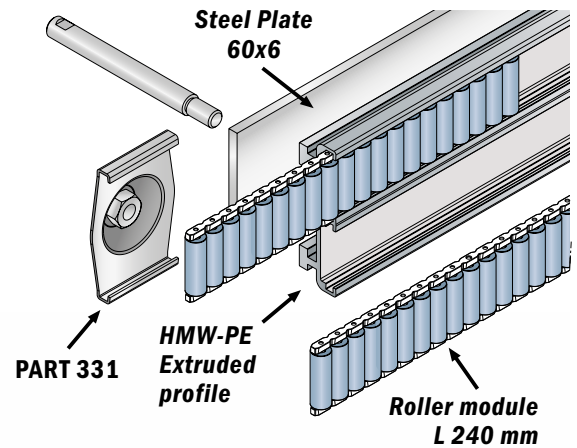
TYPE B1
 Soft roller
 SEBS rubber

Advantages:

- ▶ Noise reduction
- ▶ Improved product stability



Available rollers
 for bending
 machine

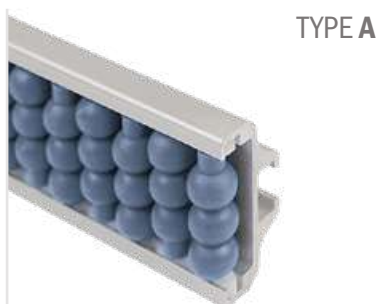


Materiale / Material / Materialien:

Guida: alluminio anodizzato / Guide: anodized aluminum / Führung: eloxiertem Aluminium
 Rulli: resina acetilica o gomma SEBS / Rollers: Acetal Resin or SEBS rubber / Röllchen: Azetal oder SEBS gummi
 Vite: Acciaio inox / Screw: Stainless steel / Schrauben: Edelstahl

358 Guide a rulli laterale Roller guides / Röllchenführung

Delivery: **Easy** **Standard** Max fixing load M8 screw: 15 N/m



TYPE A

Part	Article-Nr.	Type
358	35802	A



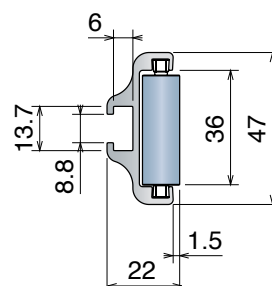
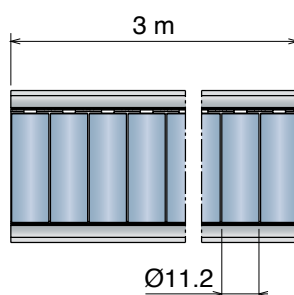
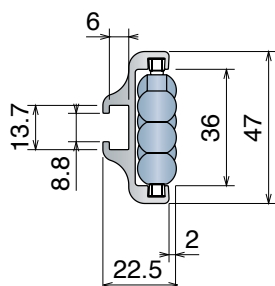
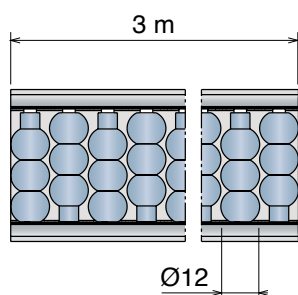
TYPE B

Part	Article-Nr.	Type
358	35804	B



TYPE B1

Part	Article-Nr.	Type
358	35806	B1



TYPE B1
 Soft roller
 SEBS rubber

Roller
 Pag 425



Fixing screw:
 M8 hex.head
 or **PART 362**
 Pag 493



Puntale / Shoe / Einlaufschuh

Part	Article-Nr.	Type
364	36401	fresato/machined/gefräst



Discover more options:
 Pag 489/490



Materiale / Material / Materialien:

Guida: alluminio anodizzato/Guide: anodized aluminum/Führung: eloxiertem Aluminium

Rulli: resina acetica o gomma SEBS/Rollers: Acetal Resin or SEBS rubber/Röllchen: Azetal oder SEBS gummi

Vite: Acciaio inox/Screw: Stainless steel/Schrauben: Edelstahl

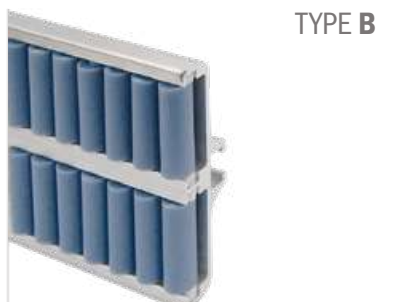
359 Guide a rulli laterale Roller guides / Röllchenführung

Delivery: **Easy** **Standard** Max fixing load M8 screw: 15 N/m



TYPE A

Part	Article-Nr.	Type
359	35902	A



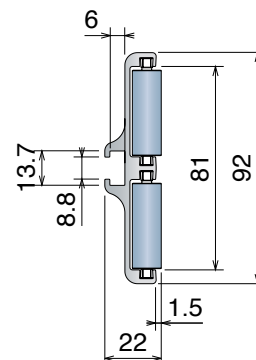
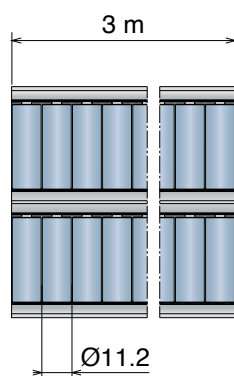
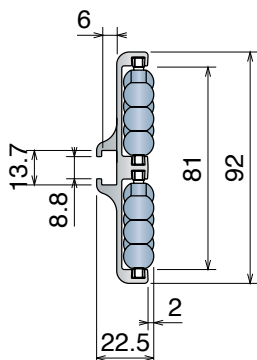
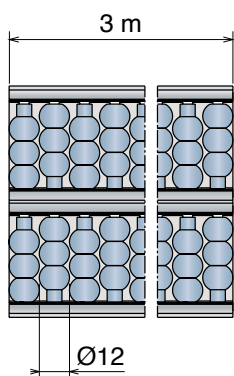
TYPE B

Part	Article-Nr.	Type
359	35904	B



TYPE B1

Part	Article-Nr.	Type
359	35906	B1



TYPE B1
Soft roller
SEBS rubber

Roller
Pag 425



Fixing screw:
M8 hex.head
or **PART 362**
Pag 493



Puntale / Shoe / Einlaufschuh



Part	Article-Nr.	Type
365	36501	fresato/machined/gefräst

Discover more options:
Pag 489/490

Materiale / Material / Materialien:

Guida: alluminio anodizzato / Guide: anodized aluminum / Führung: eloxiertem Aluminium
 Rulli: resina acetica o gomma SEBS / Rollers: Acetal Resin or SEBS rubber / Röllchen: Azetal oder SEBS gummi

360

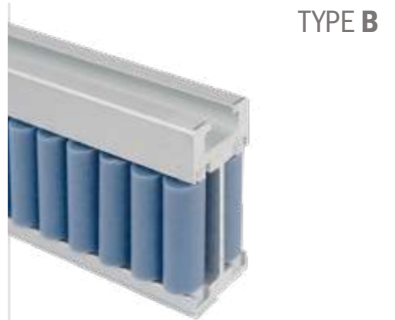
Guide a rulli intermedia
 Roller guides / Röllchenführung

Delivery: **Easy** **Standard** Max fixing load M8 screw: 15 N/m



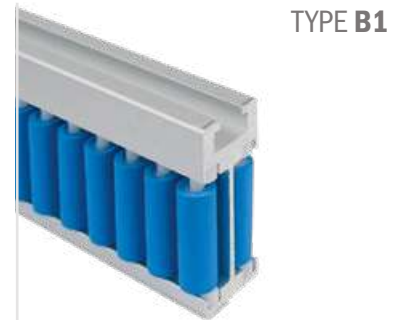
TYPE A

Part	Article-Nr.	Type
360	36002	A



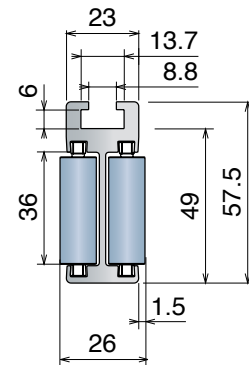
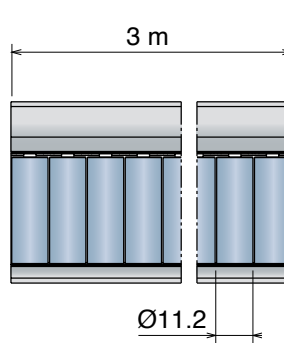
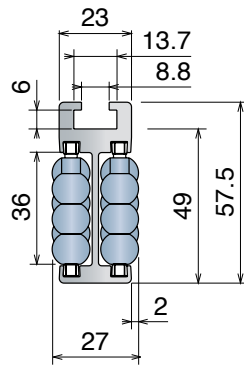
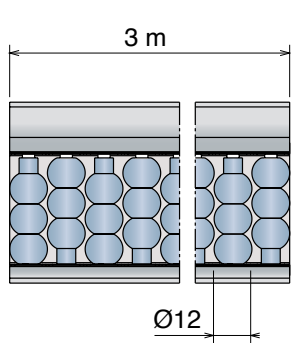
TYPE B

Part	Article-Nr.	Type
360	36004	B



TYPE B1

Part	Article-Nr.	Type
360	36006	B1



TYPE B1
 Soft roller
 SEBS rubber

Roller
 Pag 425



Fixing screw:
 M8 hex.head
 or PART 362
 Pag 493



Puntale / Shoe / Einlaufschuh



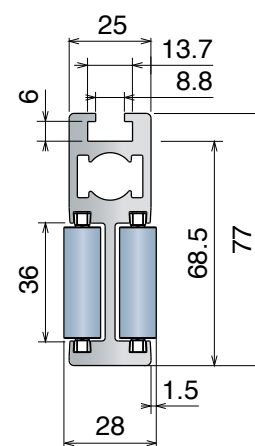
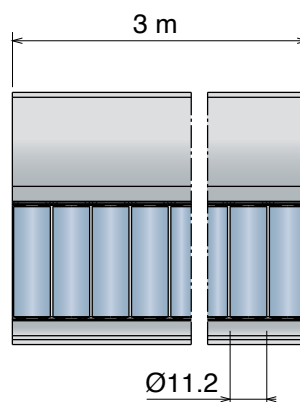
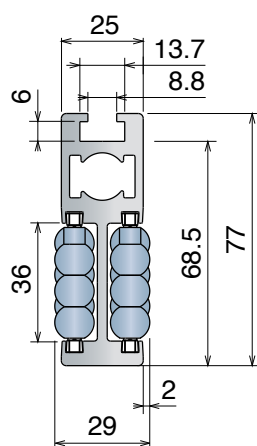
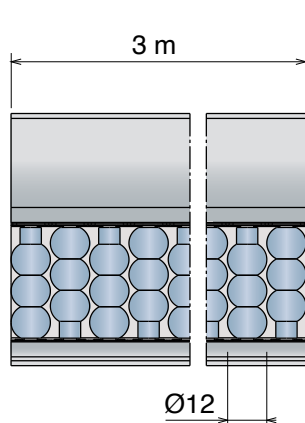
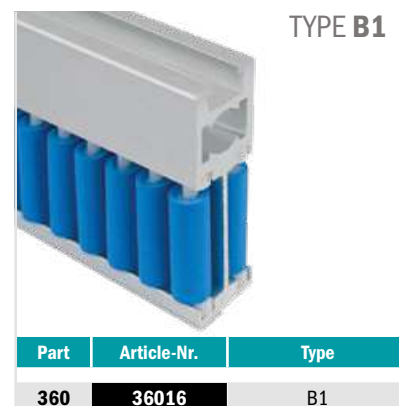
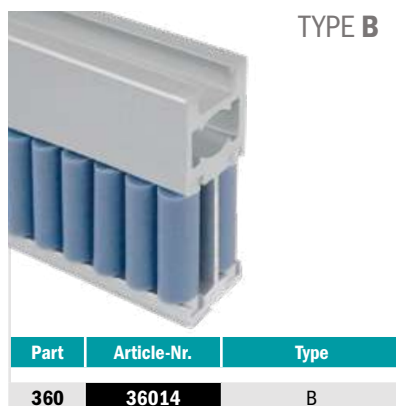
Part	Article-Nr.	Type
366	36601	fresato/machined/gefräst

Discover more options:
 Pag 489/490

360 Guide a rulli intermedia Roller guides / Röllchenführung

REINFORCED VERSION

Max fixing load M8 screw: 15 N/m



TYPE B1
 Soft roller
 SEBS rubber

Roller
 Pag 425



Fixing screw:
 M8 hex.head
 or **PART 362**
 Pag 493

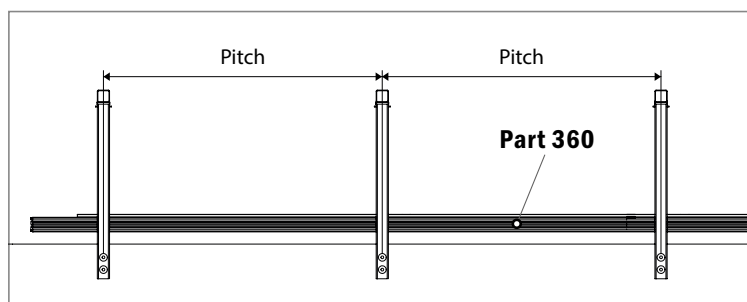


Puntale / Shoe / Einlaufschuh



Part	Article-Nr.	Type
366	36601	fresato/machined/gefräst

Discover more options: Pag 489/490



Part 360 Reinforced version is a reliable roller guides solution, the new robust design permits less support elements and allows higher pitches.

Example of application

Materiale / Material / Materialien:

Guida: alluminio anodizzato / Guide: anodized aluminum / Führung: eloxiertem Aluminium
 Rulli: resina acetilica o gomma SEBS / Rollers: Acetal Resin or SEBS rubber / Röllchen: Azetal oder SEBS gummi

361 Guide a rulli intermedia Roller guides / Röllchenführung

Delivery: **Easy** **Standard** Max fixing load M8 screw: 15 N/m



TYPE A

Part	Article-Nr.	Type
361	36102	A



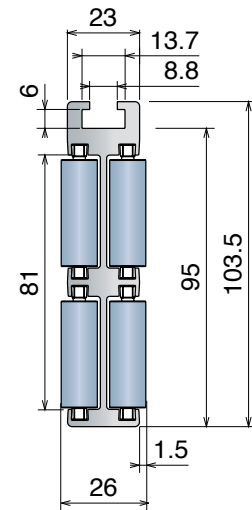
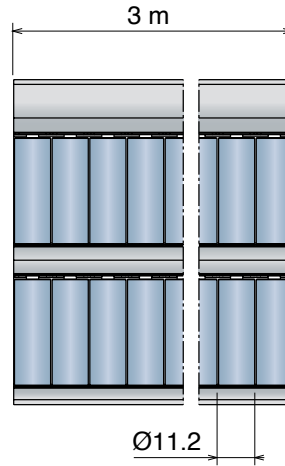
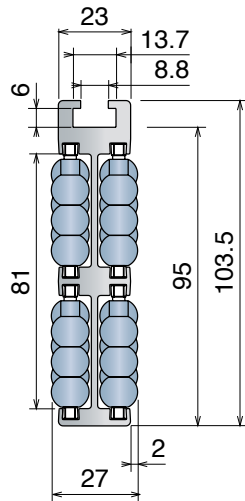
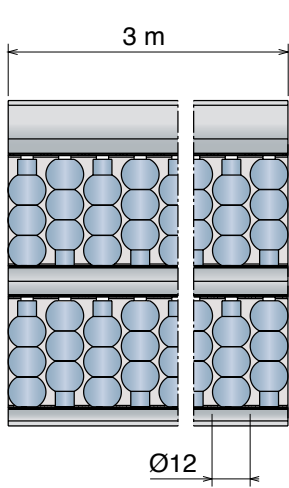
TYPE B

Part	Article-Nr.	Type
361	36104	B



TYPE B1

Part	Article-Nr.	Type
361	36106	B1



TYPE B1
 Soft roller
 SEBS rubber

Roller
 Pag 425



Fixing screw:
 M8 hex.head
 or **PART 362**
 Pag 493



Puntale / Shoe / Einlaufschuh



Part	Article-Nr.	Type
367	36701	fresato/machined/gefräst

Discover more options:
 Pag 489/490

Materiale / Material / Materialien:

Guida: alluminio anodizzato / Guide: anodized aluminum / Führung: eloxiertem Aluminium
 Rulli: resina acetalica o gomma SEBS / Rollers: Acetal Resin or SEBS rubber / Röllchen: Azetel oder SEBS gummi

361 Guide a rulli intermedia Roller guides / Röllchenführung

REINFORCED VERSION

Delivery: **Easy** **Standard** Max fixing load M8 screw: 15 N/m



TYPE A

Part	Article-Nr.	Type
361	36112	A



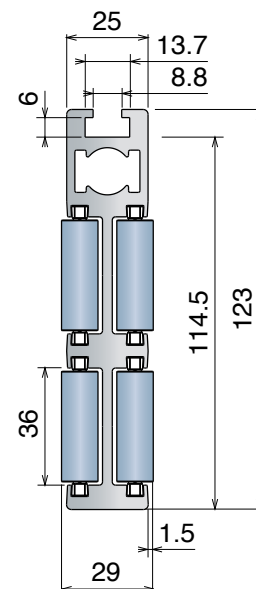
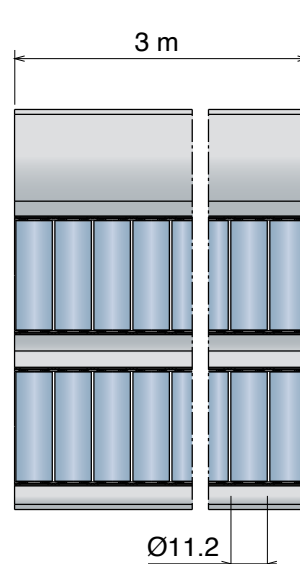
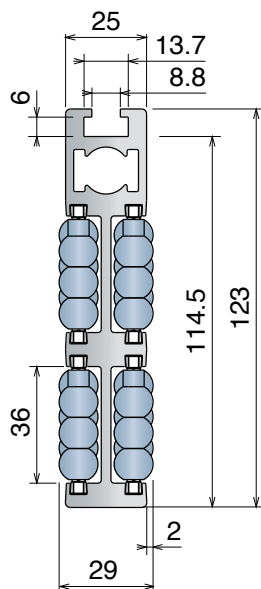
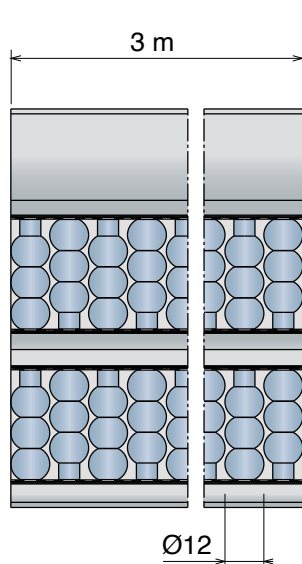
TYPE B

Part	Article-Nr.	Type
361	36114	B



TYPE B1

Part	Article-Nr.	Type
361	36116	B1



TYPE B1
 Soft roller
 SEBS rubber

Roller
 Pag 425



Fixing screw:
 M8 hex.head
 or **PART 362**
 Pag 493

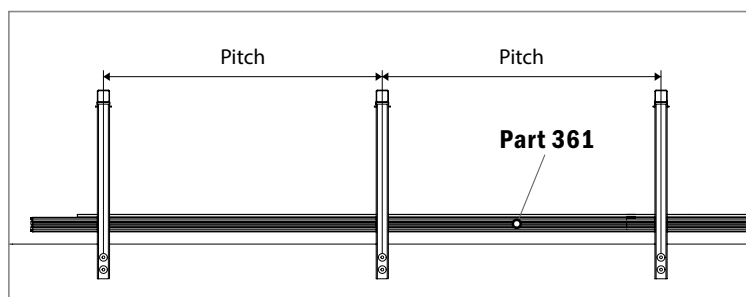


Puntale / Shoe / Einlaufschuh



Part	Article-Nr.	Type
367	36701	fresato/machined/gefräst

Discover more options: Pag 489/490



Part 361 Reinforced version is a reliable roller guides solution, the new robust design allows less support elements and wider pitches.

Example of application

Materiale / Material / Materialien:

Rulli: Resina acetica / Rollers: Acetal Resin / Röllchen: Azetal
 Grano: Acciaio inox / Grub Screws: Stainless steel / Gewindestift: Edelstahl
 Dadi: ottone nichelato / Nuts: nickel plated brass / Mutter: Messing vernickelt

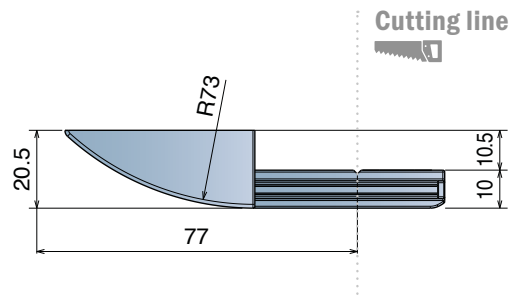
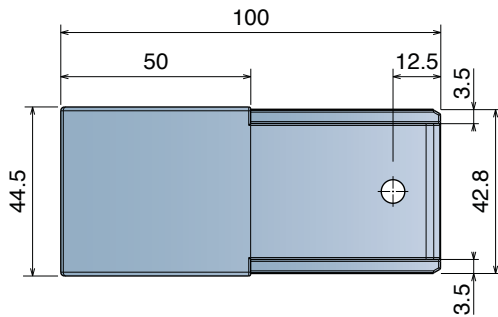
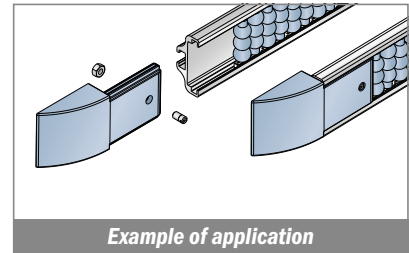
364 Puntale Shoe / Einlaufschuh

Delivery: **Easy** **Standard** Part 364 it is designed to allow the possibility to shorten it, if necessary.

Part	Article-Nr.	Grub screw
364	36411	M6



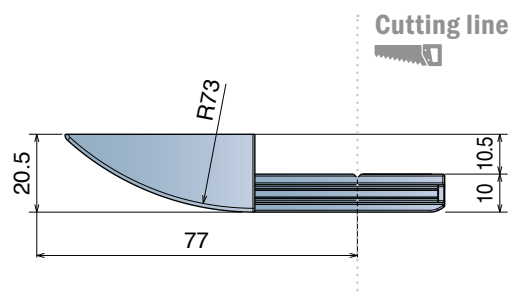
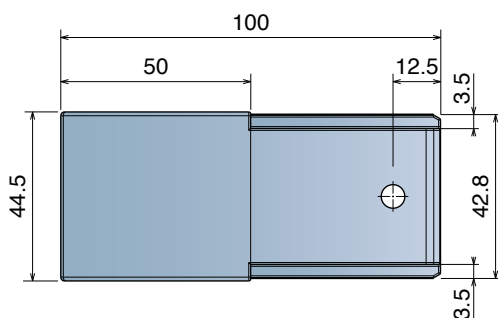
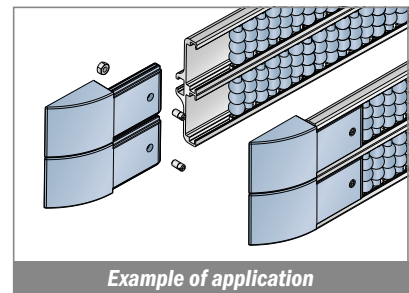
364	36411	M6
-----	-------	----



365 Puntale Shoe / Einlaufschuh

Delivery: **Easy** **Standard** Part 365 it is designed to allow the possibility to shorten it, if necessary.

Part	Article-Nr.	Grub screw
365	36511	M6



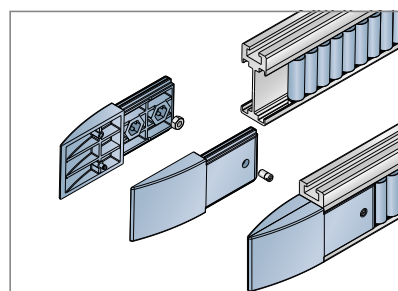
Materiale / Material / Materialien:

Rulli: Resina acetatica / Rollers: Acetal Resin / Röllchen: Azetal
 Grano: Acciaio inox / Grub Screws: Stainless steel / Gewindestift: Edelstahl
 Dadi: ottone nichelato / Nuts: nickel plated brass / Mutter: Messing vernickelt

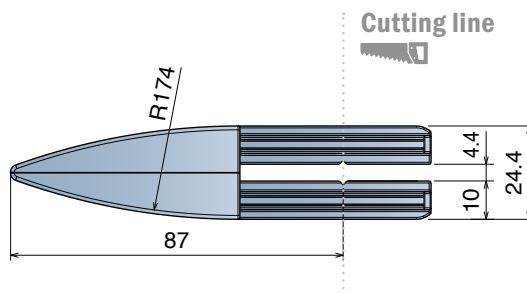
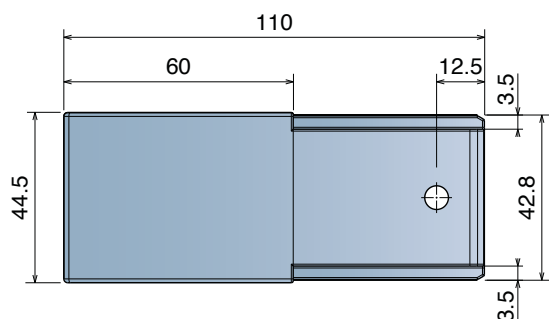
366 Puntale Shoe / Einlaufschuh

Delivery: **Easy** **Standard** Part 366 it is designed to allow the possibility to shorten it, if necessary.

Part	Article-Nr.	Grub screw
366	36611	M6



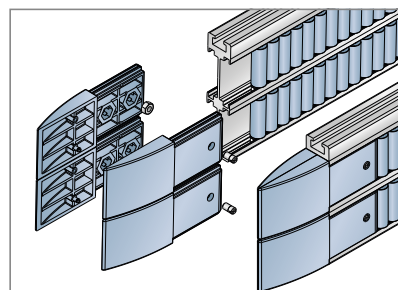
Example of application



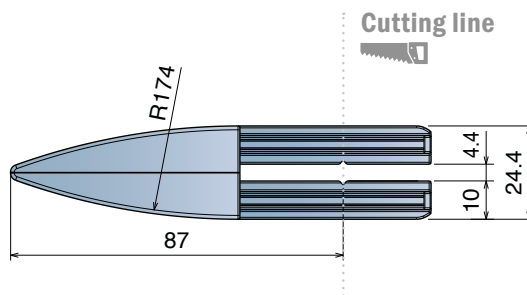
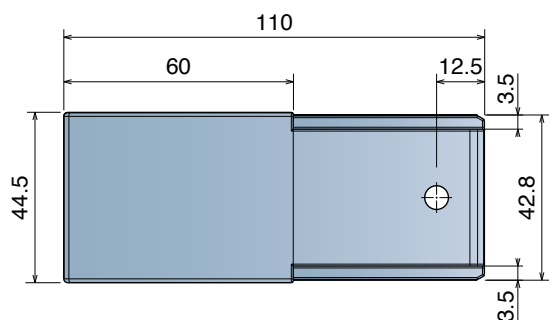
367 Puntale Shoe / Einlaufschuh

Delivery: **Easy** **Standard** Part 367 it is designed to allow the possibility to shorten it, if necessary.

Part	Article-Nr.	Grub screw
367	36711	M6



Example of application



Materiale / Material / Materialien: Puntale: PE HD/Shoe: PE HD/Corpus: PE HD
 Perni: acciaio inox/Pins: SS/Bolzen: Edelstahl
 Rulli: resina acetica o gomma SEBS/Rollers: Acetal Resin or SEBS rubber
 Röllchen: Azetal oder SEBS gummi

366-367

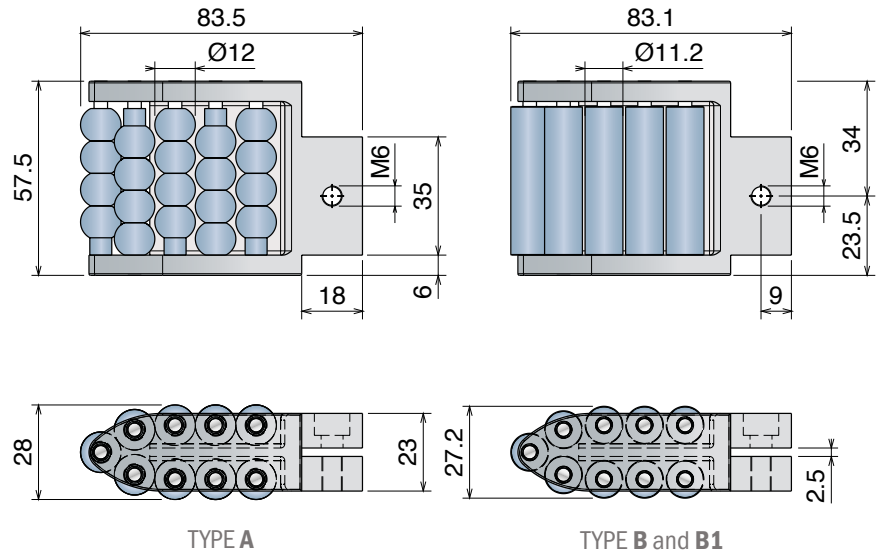
Componenti / Conveyor components / Komponenten

366 Puntale centrale a rulli Central roller shoe / Einlaufschuh

PATENTED



Part	Article-Nr.	Type
366	36621	A - Acetal resin roller
366	36622	B - Acetal resin roller
366	36623	B1 - Soft roller SEBS

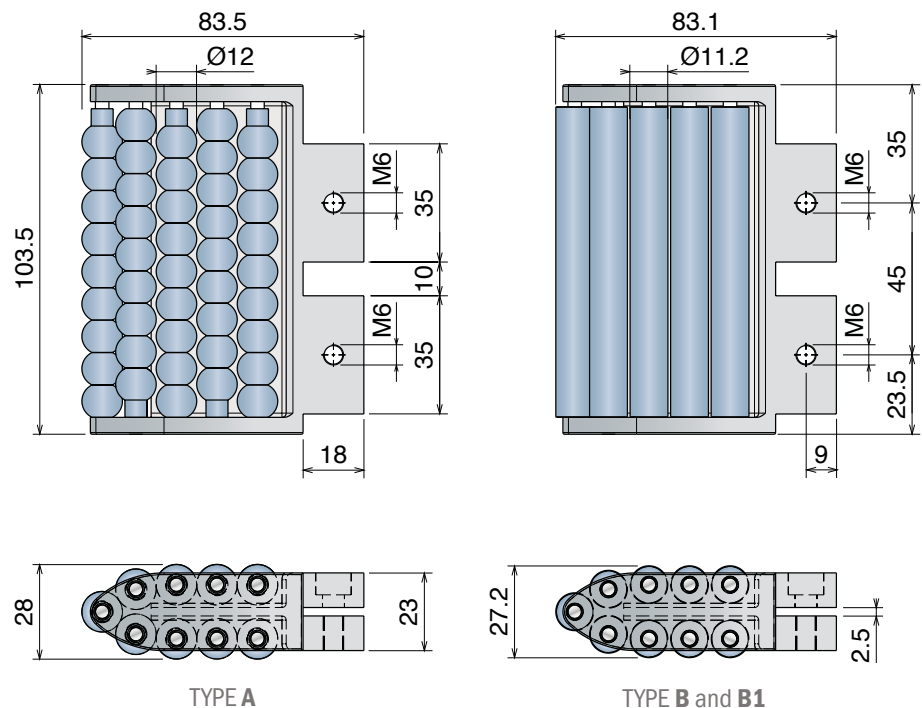


367 Puntale centrale a rulli Central roller shoe / Einlaufschuh

PATENTED



Part	Article-Nr.	Type
367	36721	A - Acetal resin roller
367	36722	B - Acetal resin roller
367	36723	B1 - Soft roller SEBS



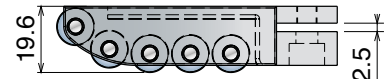
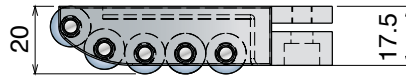
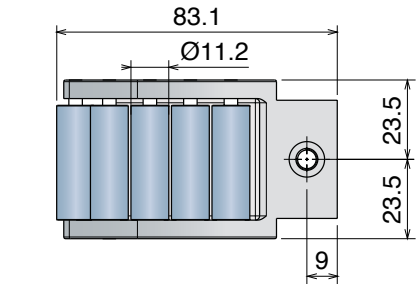
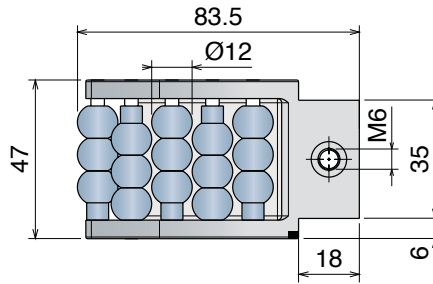
364 Puntale laterale a rulli Side roller shoe / Einlaufschuh

PATENTED



TYPE B1
Soft roller
SEBS rubber

Part	Article-Nr.	Type
364	36421	A - Acetal resin roller
364	36422	B - Acetal resin roller
364	36423	B1 - Soft roller SEBS



TYPE A

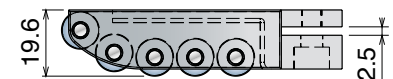
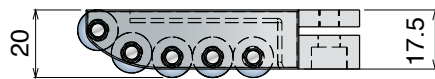
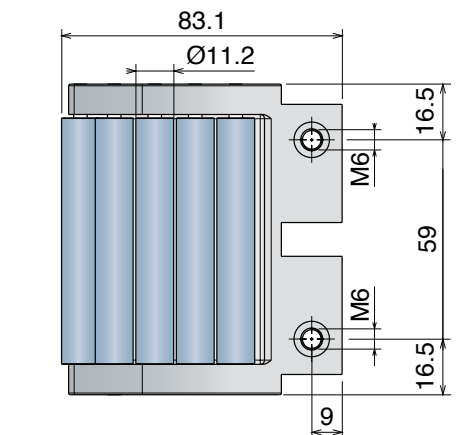
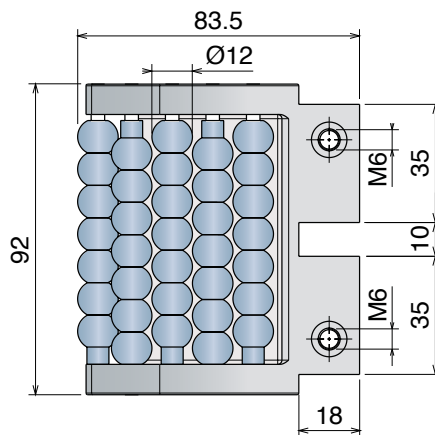
TYPE B and B1

365 Puntale laterale a rulli Side roller shoe / Einlaufschuh

PATENTED



Part	Article-Nr.	Type
365	36521	A - Acetal resin roller
365	36522	B - Acetal resin roller
365	36523	B1 - Soft roller SEBS



TYPE A

TYPE B and B1

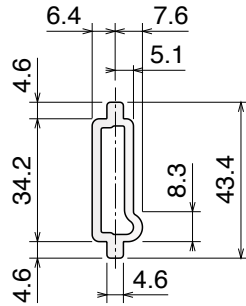
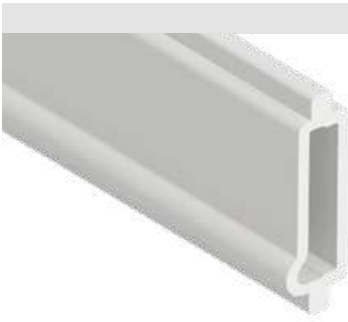
Materiale / Material / Materialien:

Profilo: PE / Profile: PE / Profil: PE
 Guide: alluminio anodizzato / Guide: anodized aluminium
 Führung: eloxiertem Aluminium

395-362-333-358/359/360/361

Componenti / Conveyor components / Komponenten

395 Guida laterale in PE PE side guides / Seitenführung in PE



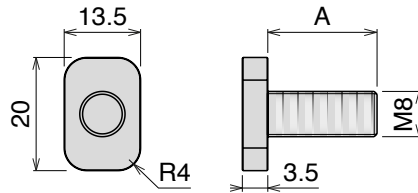
Part	Article-Nr.	L
395	39501	3 m



Example of application

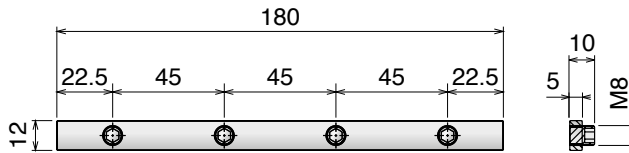
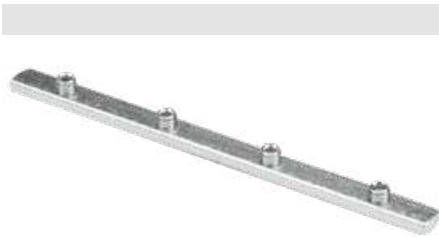
362 Vite a "T" T-bolt / T-Schraube

Delivery: **Easy** **Standard** Used with Part 154/155/159/164/165/358/359/360/361/1055/1088/1089



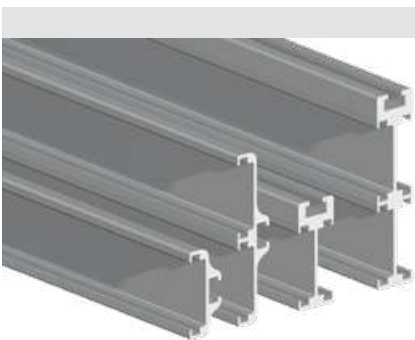
Part	Article-Nr.	A
362	36201	16
362	36202	19
362	36203	25

333 Elemento di giunzione Connecting elements / Verbindungselement

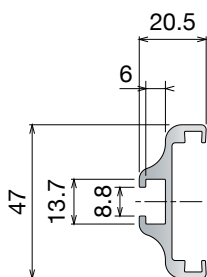
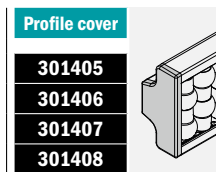


Part	Article-Nr.
333	33301

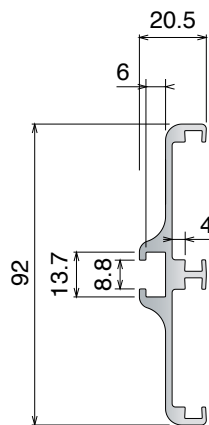
NEW 358/359/360/361 Guide in alluminio Aluminum guides / Aluminiumführung



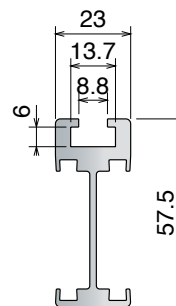
Part	Article-Nr.	Version	Min. radius	Supply	Profile cover
358	35800	Single-lateral	250	3 m	301405
359	35900	Double-lateral	500	3 m	301406
360	36000	Single-central	500	3 m	301407
361	36100	Double-central	750	3 m	301408



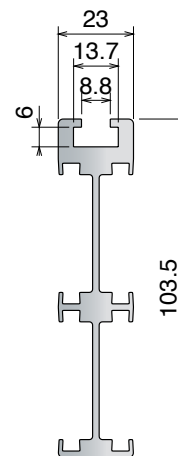
35800



35900



36000



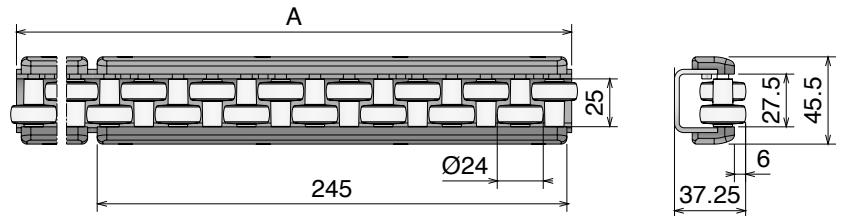
36100

353 Guide a rulli di accumulo Accumulation roller guides / Stauröllchenführung

Delivery: **Easy** **Standard**



Part	Article-Nr.	A	Pin	Pin Ø
353	35301	1 m	PA	6 mm
353	35302	2 m	PA	6 mm
353	35303	3 m	PA	6 mm

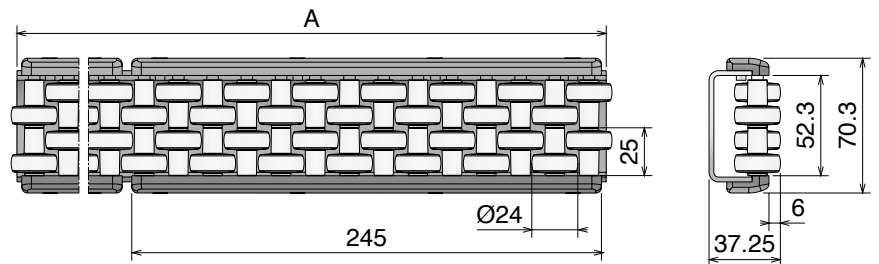


354 Guide a rulli di accumulo Accumulation roller guides / Stauröllchenführung

Delivery: **Easy** **Standard**



Part	Article-Nr.	A	Pin	Pin Ø
354	35401	1 m	PA	6 mm
354	35402	2 m	PA	6 mm
354	35403	3 m	PA	6 mm

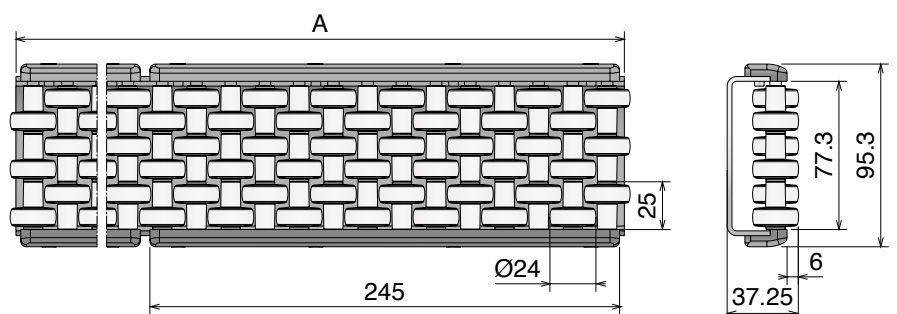


355 Guide a rulli di accumulo Accumulation roller guides / Stauröllchenführung

Delivery: **Easy** **Standard**



Part	Article-Nr.	A	Pin	Pin Ø
355	35501	1 m	SS	6 mm
355	35502	2 m	SS	6 mm
355	35503	3 m	SS	6 mm





Material: Resina acetalica / Acetal Resin / Azetal or **BluLub**.
 Polyethylene UHMW-PE with reduced coefficient of friction and higher wear resistance.
 BluLub complies with the code of Federal Regulations of FDA. Linear expansion coefficient:
 $1.1 \times 10^{-4} \text{ } ^\circ\text{F}^{-1}$ ($2 \times 10^{-4} \text{ } ^\circ\text{C}^{-1}$) Operating temperature: -40 to 176 °F (-40 to +80 °C)

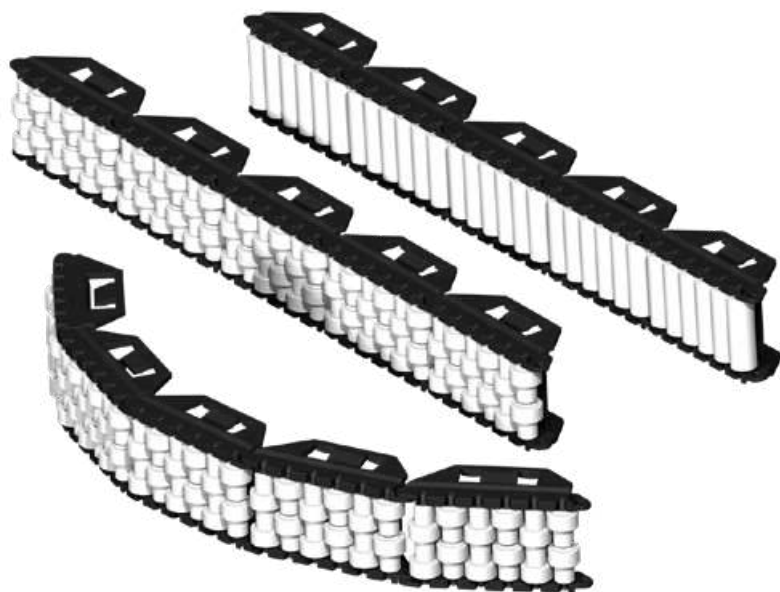
363 Guida a rulli flessibile

Flexible roller guide / Flexible Röllchenführung

RANGE EXTENSION

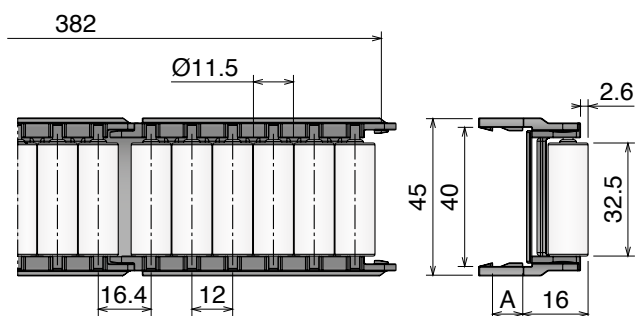
Delivery: **Easy** **Standard**

Part	Article-Nr.	Type	A	Colour
 363	36301	A	8	White
 363	36302	B	8	White
363	36303	A	10	White
363	36304	B	10	White
363	36305	A	8	BluLub
363	36306	A	10	BluLub

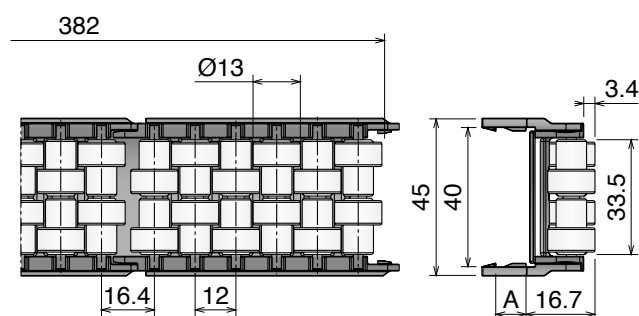


Try with...
BluLub
 Rollers!

- Lower wear
- Noise reduction
- Improved product stability
- Lower coefficient of friction
- Less energy consumption

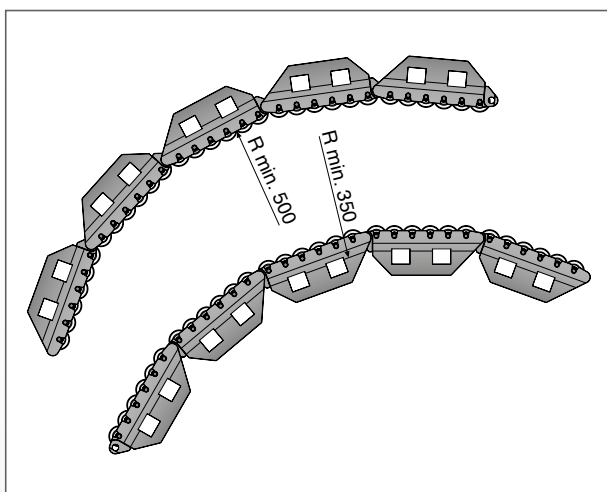


TYPE A

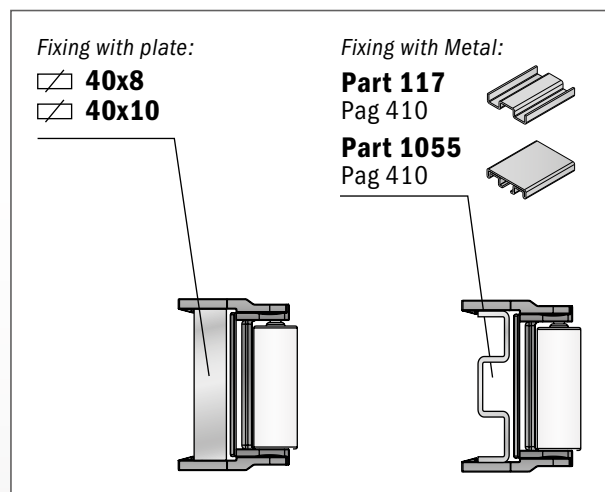


TYPE B

Curvature radius



Fixing with plate and metal profile



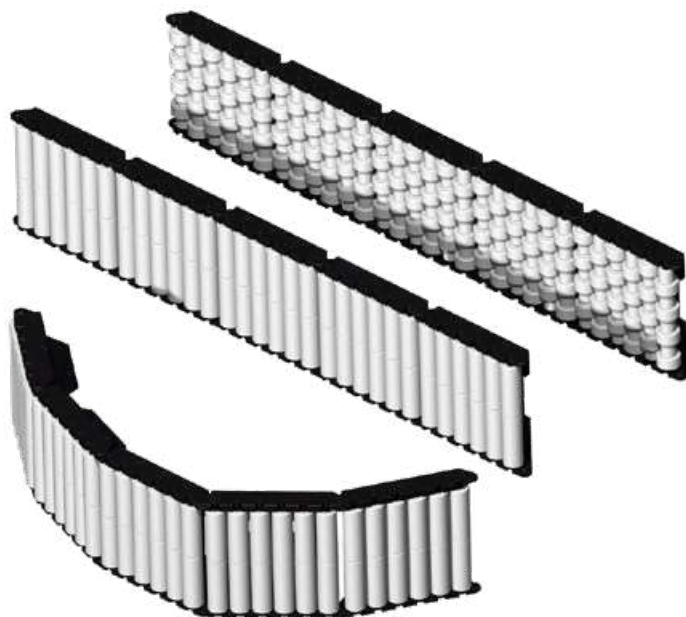
Material: Resina acetilica / Acetal Resin / Azetal or **BluLub**.
 Polyethylene UHMW-PE with reduced coefficient of friction and higher wear resistance.
 BluLub complies with the code of Federal Regulations of FDA. Linear expansion coefficient:
 $1.1 \times 10^{-4} \text{ } ^\circ\text{F}^{-1}$ ($2 \times 10^{-4} \text{ } ^\circ\text{C}^{-1}$) Operating temperature: -40 to 176 °F (-40 to +80 °C)

396 Guida a rulli flessibile Flexible roller guide / Flexible Röllchenführung

RANGE EXTENSION

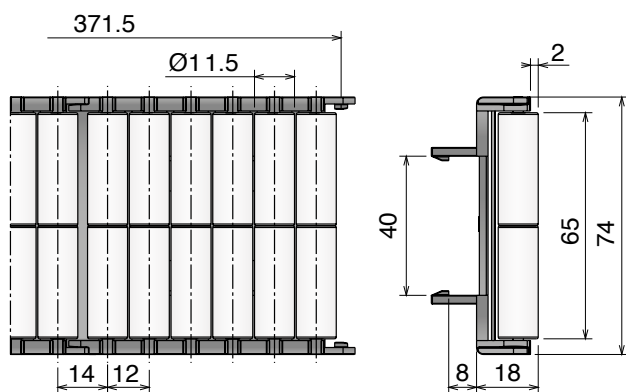
Delivery: **Easy** **Standard**

Part	Article-Nr.	Type	Colour
396	39601	A	White
396	39602	B	White
396	39603	A	BluLub

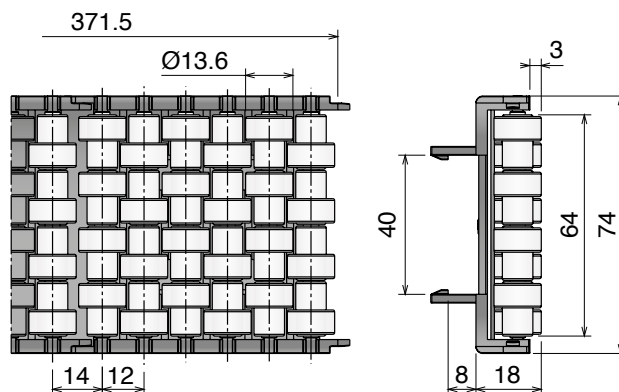


Try with...
**BluLub®
 Rollers!**

- Lower wear
- Noise reduction
- Improved product stability
- Lower coefficient of friction
- Less energy consumption

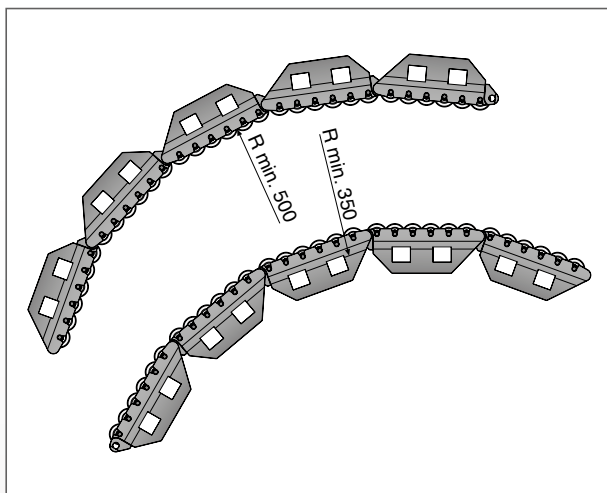


TYPE A

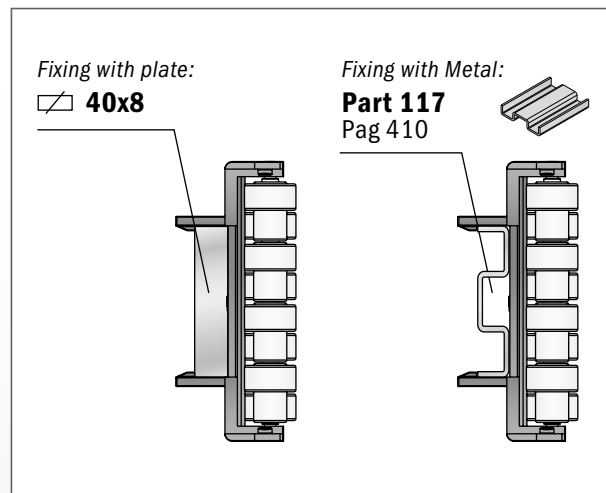


TYPE B

Curvature radius



Fixing with plate and metal profile



Material: Resina acetalica / Acetal Resin / Azetal or **BluLub®**
 Polyethylene UHMW-PE with reduced coefficient of friction and higher wear resistance.
 BluLub complies with the code of Federal Regulations of FDA. Linear expansion coefficient:
 $1.1 \times 10^{-4} \text{ } ^\circ\text{F}^{-1}$ ($2 \times 10^{-4} \text{ } ^\circ\text{C}^{-1}$) Operating temperature: -40 to 176 °F (-40 to +80 °C)

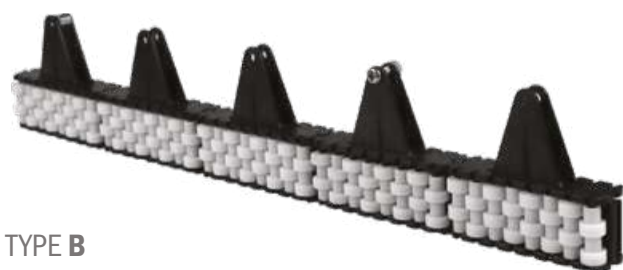
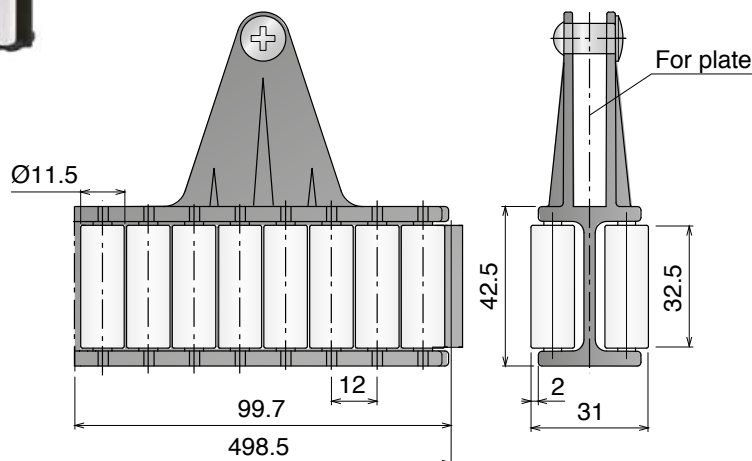
363 Guida a rulli flessibile (centrale) Flexible roller guide (Centre) / Flexible Röllchenführung (Zentral)

Delivery: **Easy** **Standard** Can also be used with Part 117 Pag 410 - Part 1055 Pag 410

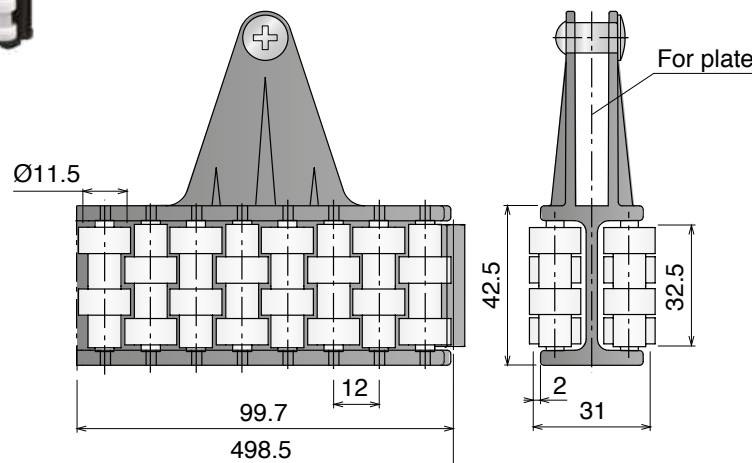
Part	Article-Nr.	Type	For plate	Colour
363	36313	A	40x8	White
363	36311	B	40x10	White
363	36314	A	40x8	White
363	36312	B	40x10	White



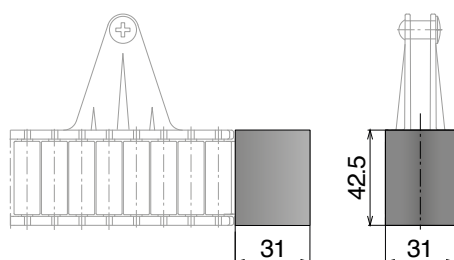
TYPE A



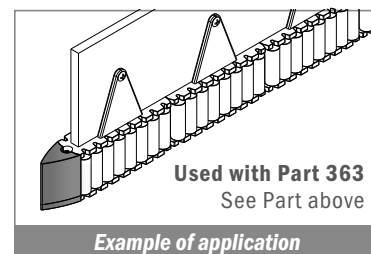
TYPE B



Puntale / Shoe / Einlaufschuh



Part	Article-Nr.	For Type
363	36399	A & B



199/299 Blocco di montaggio catena Chain mounting block / Kettenmontageblock

Delivery: **Easy** Standard



Part	Article-Nr.
------	-------------

199	19980
------------	--------------

For steel chain:

812/815 (GT)

881 M (GT)

and plastic chain:

820 (GT)

831

Part	Article-Nr.
------	-------------

199	19981
------------	--------------

For steel chain:

8157 (GT)

8857 M (GT/LBP)

and plastic chain:

8257 (GT/LBP)

8857 (GT/LBP)

882 Bevel

Part	Article-Nr.
------	-------------

199	19982
------------	--------------

For steel chain:

812/815 (GT)

881 M (GT)

and plastic chain:

828 (GT/LBP)

880 M

880 Bevel

879 M

879 Bevel

Part	Article-Nr.
------	-------------

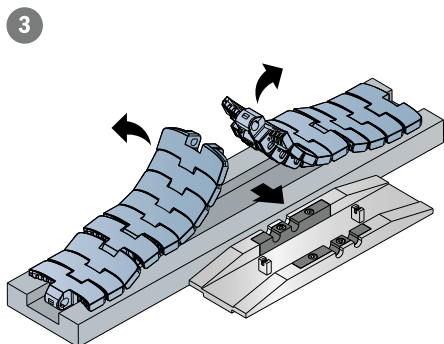
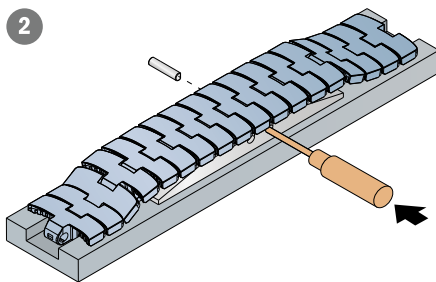
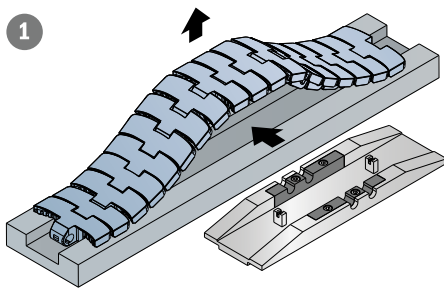
299	29978
------------	--------------

For sideflexing belt/ chain:

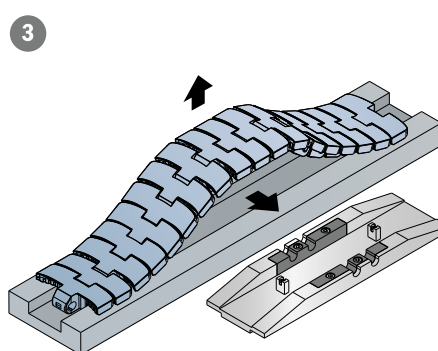
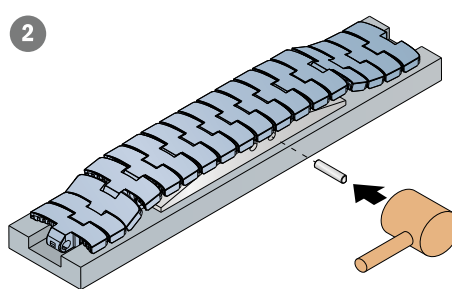
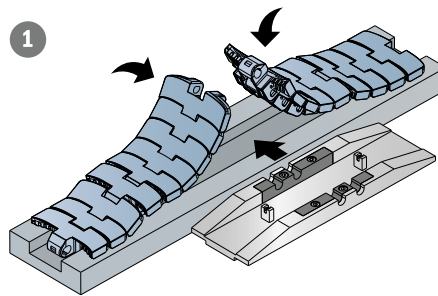
260 M (FT/FG)

261 M (FT)

Disassembling mode:



Assembling mode:



Materiale / Material / Materialien:

Modulo: resina acetale/Module: acetal resin/Module: Azetal

Perni, viti e dadi: Acciaio inox/Pins, screws and nuts: Stainless steel/Bolzen, Schraube und Mutter: Edelstahl

Rulli: resina acetale o acciaio inox/Rollers: acetal resin or stainless steel/Röllchen: Azetal oder Edelstahl

368 Moduli di trasferimento L=85 mm Transfer modules L=85 mm / Überschubmodul L=85 mm

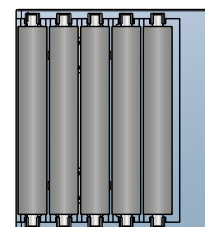
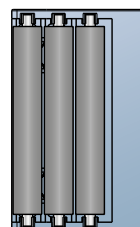
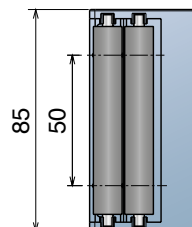
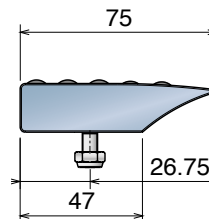
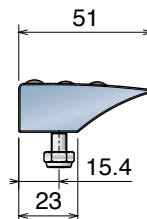
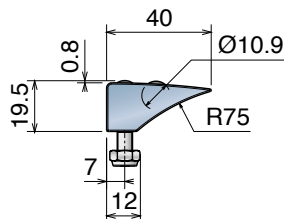
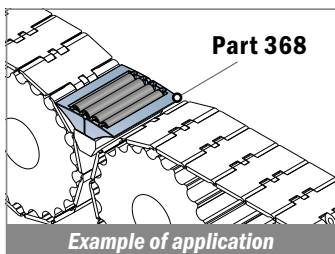
NOW ALSO WITH PFX ROLLERS

Delivery: **Easy** **Standard**

Part	Article-Nr.	Type	Roller material
368	36801	A	Acetal resin
368	36802	B	Acetal resin
368	36803	C	Acetal resin
368	36801PFX	A	PFX
368	36802PFX	B	PFX
368	36803PFX	C	PFX
368	36801SS	A	Stainless steel
368	36802SS	B	Stainless steel
368	36803SS	C	Stainless steel



Smart roller
with mini bearings
in stainless steel



TYPE A

TYPE B

TYPE C

369 Moduli di trasferimento L=115 mm Transfer modules L=115 mm / Überschubmodul L=115 mm

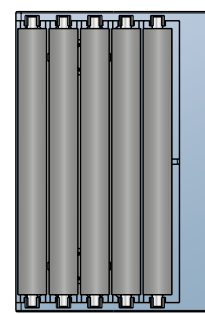
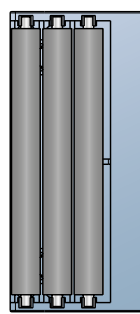
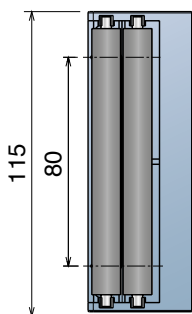
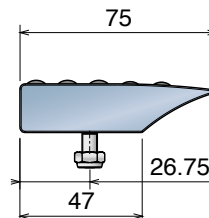
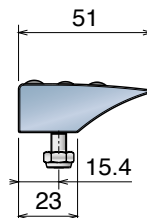
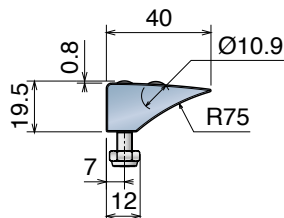
NOW ALSO WITH PFX ROLLERS

Delivery: **Easy** **Standard**

Part	Article-Nr.	Type	Roller material
369	36901	A	Acetal resin
369	36902	B	Acetal resin
369	36903	C	Acetal resin
369	36901PFX	A	PFX
369	36902PFX	B	PFX
369	36903PFX	C	PFX
369	36901SS	A	Stainless steel
369	36902SS	B	Stainless steel
369	36903SS	C	Stainless steel



Smart roller
with mini bearings
in stainless steel



TYPE A

TYPE B

TYPE C

Materiale / Material / Materialien:

Modulo: resina acetalica / Module: acetal resin / Module: Azetal

Perni, viti e dadi: Acciaio inox / Pins, screws and nuts: Stainless steel / Bolzen, Schraube und Mutter: Edelstahl

Rulli: resina acetalica o acciaio inox / Rollers: acetal resin or stainless steel / Rollen: Azetal oder Edelstahl

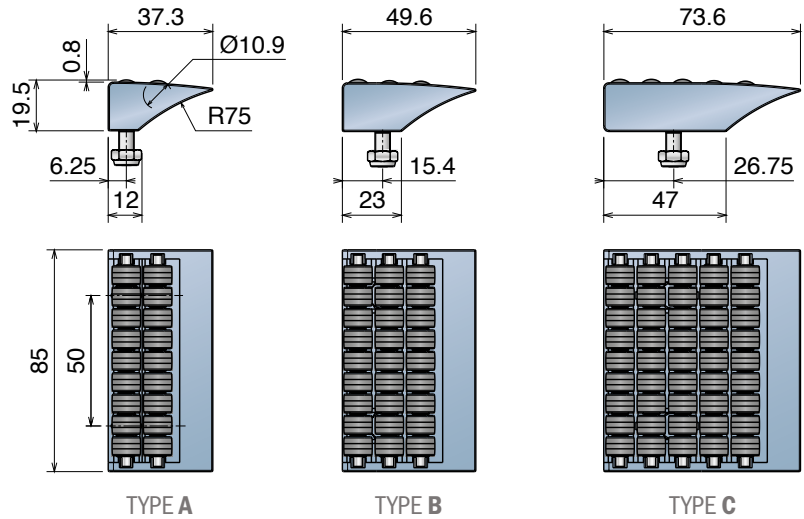
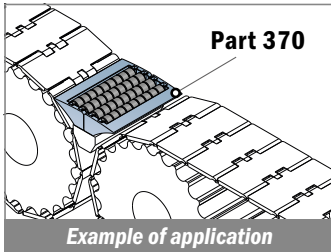
370 Moduli di trasferimento L=85 mm Transfer modules L=85 mm / Überschubmodul L=85 mm

NOW ALSO WITH PFX ROLLERS

Delivery: **Easy** **Standard**



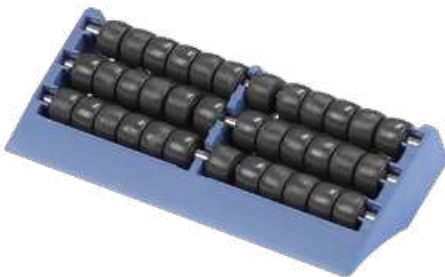
Part	Article-Nr.	Type	Roller material
370	37001	A	Acetal resin
370	37002	B	Acetal resin
370	37003	C	Acetal resin
370	37001PFX	A	PFX
370	37002PFX	B	PFX
370	37003PFX	C	PFX



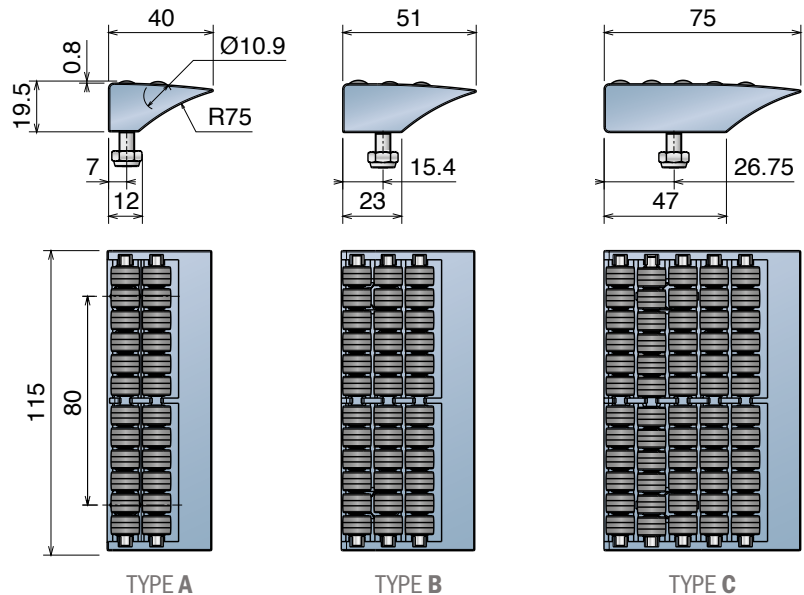
371 Moduli di trasferimento L=115 mm Transfer modules L=115 mm / Überschubmodul L=115 mm

NOW ALSO WITH PFX ROLLERS

Delivery: **Easy** **Standard**



Part	Article-Nr.	Type	Roller material
371	37101	A	Acetal resin
371	37102	B	Acetal resin
371	37103	C	Acetal resin
371	37101PFX	A	PFX
371	37102PFX	B	PFX
371	37103PFX	C	PFX



Materiale / Material / Materialien:

Modulo: **BluLub** / Module: **BluLub** / Module: **BluLub**

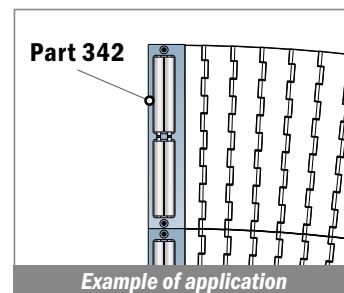
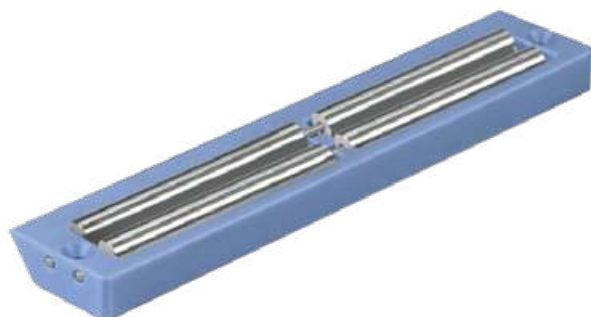
Perno: Acciaio inox / Pin: Stainless steel / Bolzen: Edelstahl

Rulli: Acciaio inox / Rollers: Stainless steel / Rollen: Edelstahl

342 Moduli di trasferimento L=200 mm Transfer modules L=200 mm / Überschubmodul L=200 mm

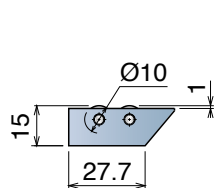
RANGE EXTENSION

Part	Article-Nr.	Type	Material
370	34201	A	BluLub
370	34201N	B	BluLub
370	34201NL	C	BluLub
370	34201S	A	PE Black
370	34201NS	B	PE Black
370	34201NLS	C	PE Black

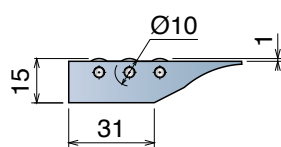
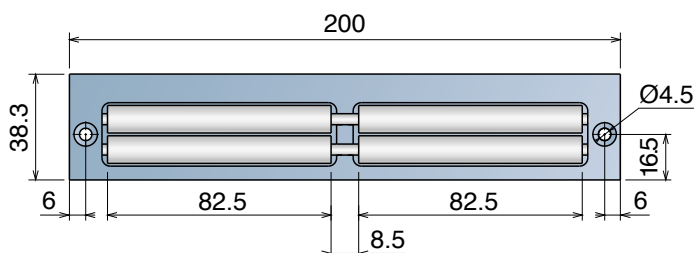


Smart roller

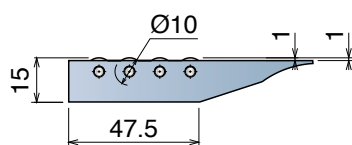
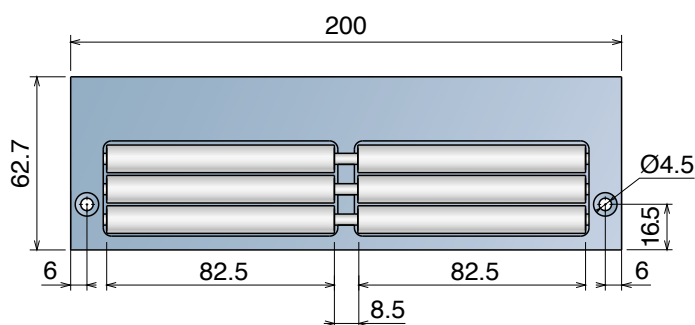
with mini bearings
in stainless steel



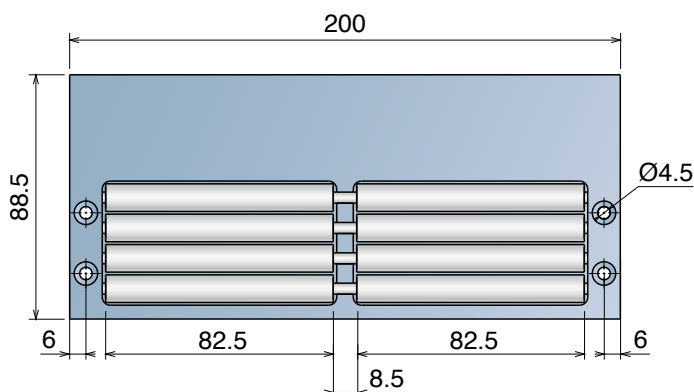
TYPE A



TYPE B



TYPE C



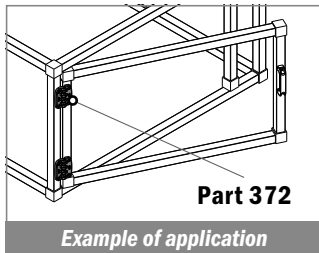
Advantages:

- Machined transfer
- High precision
- Solid structure
- Easy to install

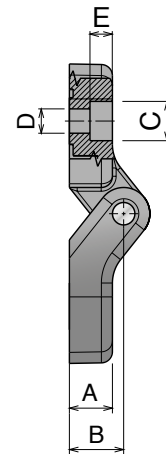
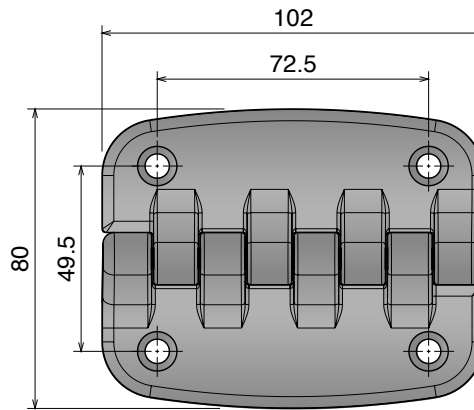
372 Cerniera Hinge / Scharnier

NOW ALSO IN HYGIENIC BLUE

Delivery: **Easy** **Standard**

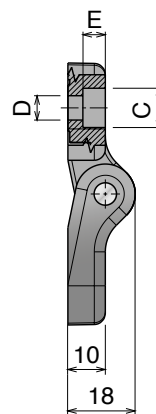
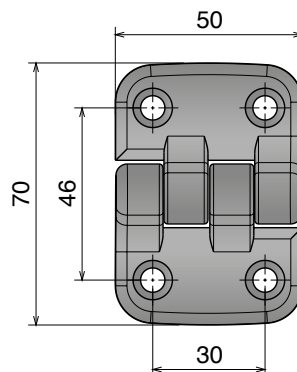


Part	Article-Nr.	A	B	C	D	E	Colour
372	37201	11	14	10,5	6,5	6	Black
372	37202	11	14	13,5	8,5	8	Black
372	37203	18	21	13,5	8,5	8	Black
372	37211	11	14	10,5	6,5	6	Hygienic blue
372	37212	11	14	13,5	8,5	8	Hygienic blue
372	37213	18	21	13,5	8,5	8	Hygienic blue

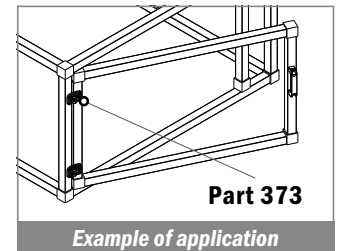


373 Cerniera Hinge / Scharnier

Delivery: **Easy** **Standard**

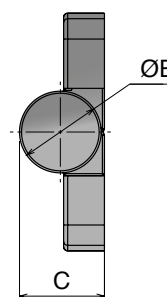
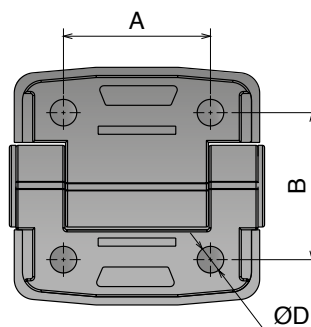


Part	Article-Nr.	C	D	E
373	37301	10,5	6,5	6
373	37302	13,5	8,5	4

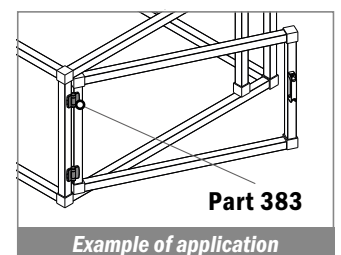


383 Cerniera Hinge / Scharnier

Delivery: **Easy** **Standard**



Part	Article-Nr.	A	B	C	ØD	ØE	F	G
383	38301	24	25	14,5	4,5	14	44,6	41
383	38302	36	36	20,8	6,5	20	62,5	58

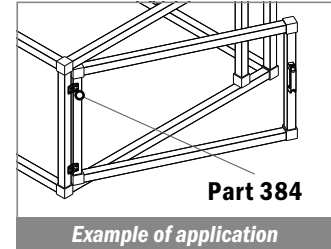
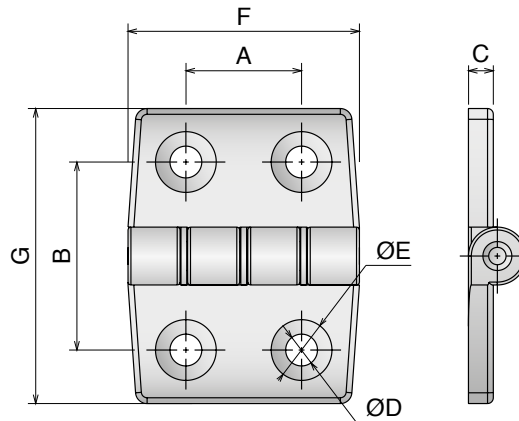


384 Cerniera Acciaio Inox SS Hinge / Edelstahl Scharnier

Stainless Steel | AISI 304

Delivery: **Easy** Standard

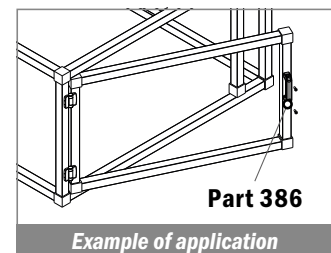
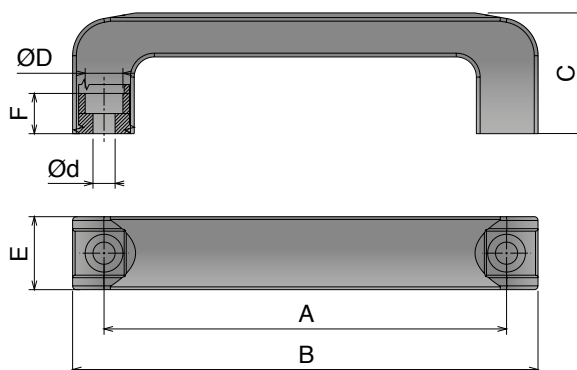
Part	Article-Nr.	A	B	C	ØD	ØE	F	G
384	38401	20	32,5	4,3	5,5	10,5	40	51
384	38402	30	41	5	6,5	12,5	60	71



386 Maniglia Handle / Handgriff

Delivery: **Easy** Standard

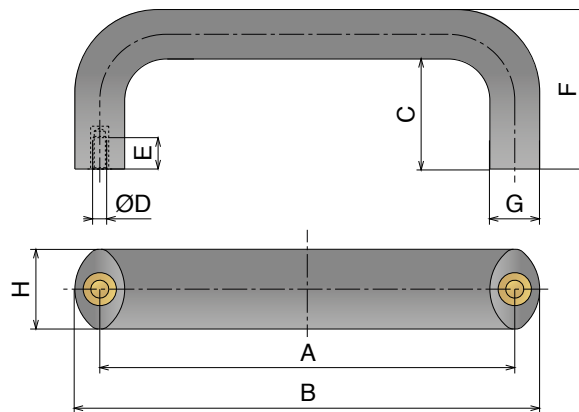
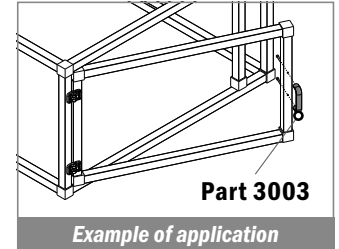
Part	Article-Nr.	A	B	C	Ød	ØD	E	F
386	38603	120	140	40	7	11	24	15
386	38601	120	140	40	8,5	13	24,5	16
386	38602	160	185	48	8,5	15	29	16



3003 Maniglia piena con boccola Solid handle with threaded insert / Handgriff mit Innengewinde

Delivery: **Easy** **Standard**

Part	Article-Nr.	A	B	C	ØD	E	F	G	H
3003	300301	120	134	34	M6	9	50	16	25
3003	300302	120	134	34	M8	14	50	16	25

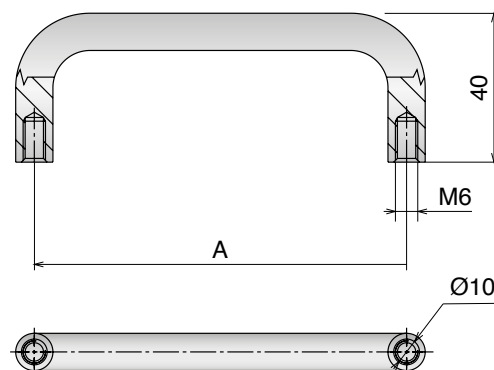
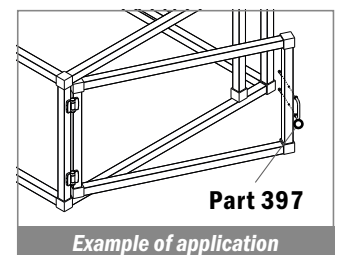


397 Maniglia acciaio inox Stainless Steel handle / Handgriffe Edelstahl

Delivery: **Easy** **Standard**

Stainless Steel | AISI 304

Part	Article-Nr.	A
397	39701	95
397	39702	100
397	39703	110



Materiale / Material / Materialien:

Maniglia: Poliammide/Handle: Polyamide/Griff: Polyamid


Insero femmina: Ottone nichelato/Female insert: Nickel plated brass /Einsatz: Messing vernickelt

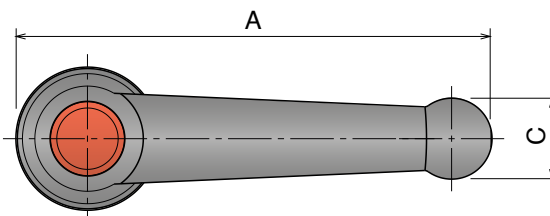
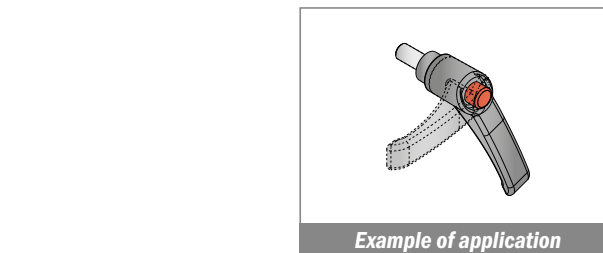
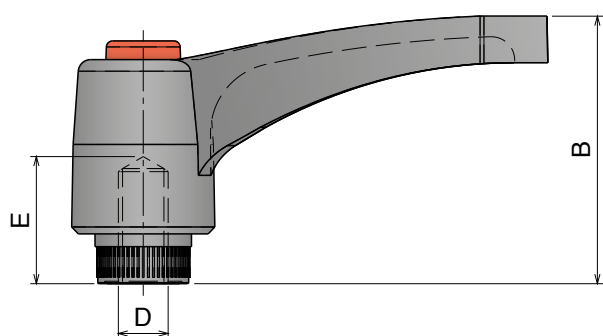
Insero maschio: Acciaio inox /Male insert: Stainless steel /Aussengewinde: Edelstahl

374 Maniglia a ripresa Adjustable handle / Ratschenhebel

NEW DESIGN



Delivery: **Easy** **Standard**

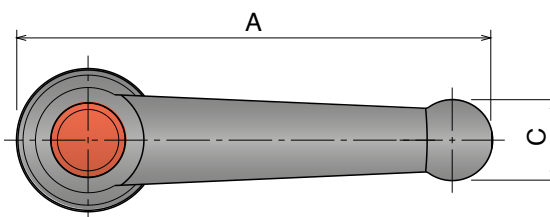
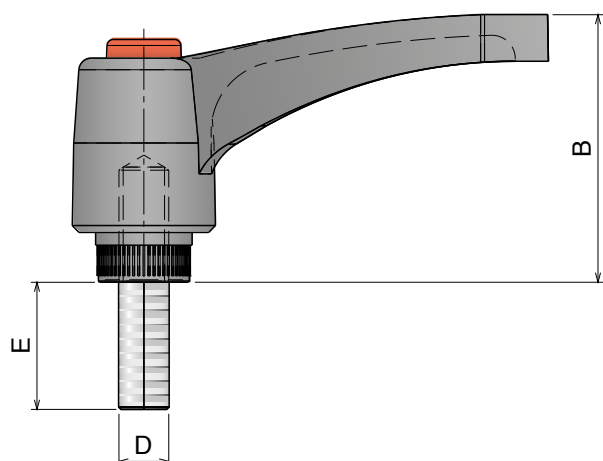
Part	Article-Nr.	A	B	C	D	E
374	37403	51	33	9	M5	12
374	37404	51	33	9	M6	12
374	37405	63	41	12	M6	18
374	37406	63	41	12	M8	18
374	37407	63	41	12	M10	18
	37401	76.5	43	13	M8	18
374	37409	76.5	43	13	M10	18
374	37402	93.5	54	15.5	M10	22
374	37408	93.5	54	15.5	M12	22



375 Maniglia a ripresa Adjustable handle / Ratschenhebel

Delivery: **Easy** **Standard**

Part	Article-Nr.	A	B	C	D	E
375	37508	51.5	33	9	M5	15
375	37509	51.5	33	9	M6	15
375	37510	63	41	12	M8	15
375	37511	63	41	12	M8	20
375	37515	63	41	12	M8	55
	37501	76.5	43	13	M8	20
375	37512	76.5	43	13	M8	25
	37502	76.5	43	13	M10	25
375	37513	93.5	54	15.5	M10	20
375	37514	93.5	54	15.5	M10	25



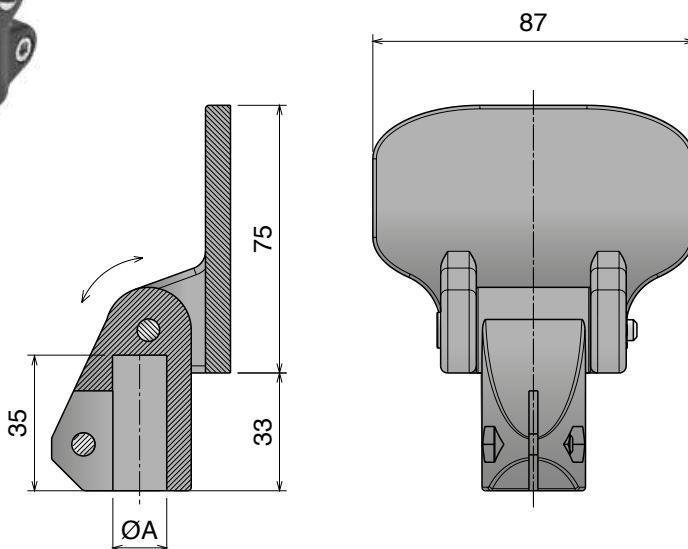
Materiale / Material / Materialien:

Morsetto: Poliammide/Clamp: Polyamide/Klemme: Polyamid

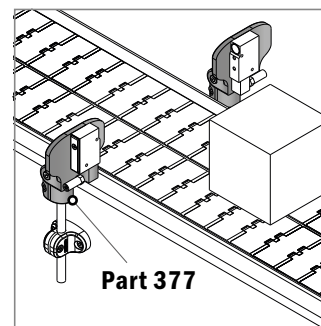
Viti e dadi: Acciaio inox/Screws and nuts: Stainless steel/Schraube und Mutter: Edelstahl

377 Morsetto standard per fotocellula o riflettore Clamp for photocells or reflector / Klemme für Fotozelle oder Reflektor

Delivery: **Easy** **Standard**

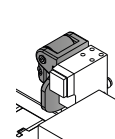


Part	Article-Nr.	ØA
377	37701	14
377	37702	16
377	37703	20

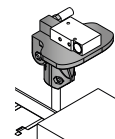


Part 377

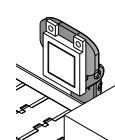
One product for several models of photocells reflectors:



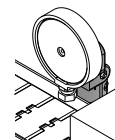
Omron E3A2



Leuze/RK18



Sigest/RF-230



Diell/RL110

and many other types:

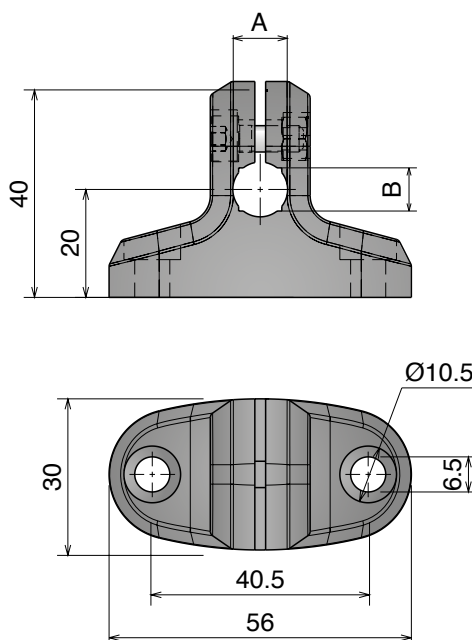
Sick/WL36 - Datalogic/RT7

Omron/E35-R - Datalogic/R2

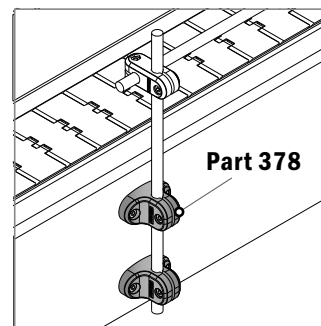
Example of application

378 Morsetto a "T" T-clamp / T-Klemme

Delivery: **Easy** **Standard**



Part	Article-Nr.	A	B
378	37801	10	8
378	37802	12	10
378	37803	14	12



Part 378

Example of application


Materiale / Material / Materialien:

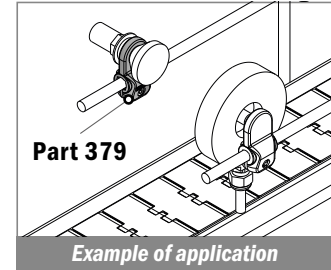
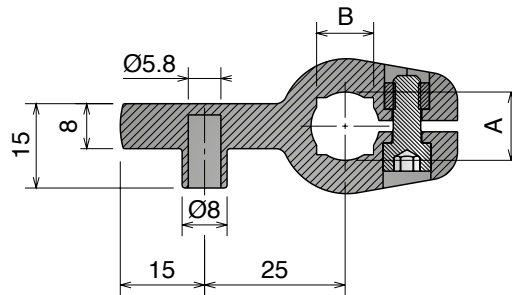
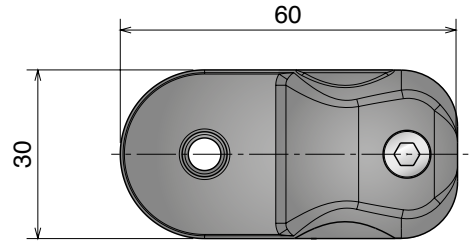
Morsetto: Poliammide/Clamp: Polyamide/Klemme: Polyamid

Viti e dadi: Acciaio inox/Screws and nuts: Stainless steel/Schraube und Mutter: Edelstahl

379 Morsetto per riflettore Clamp for reflector / Reflektorklemme



Delivery: **Easy** **Standard**

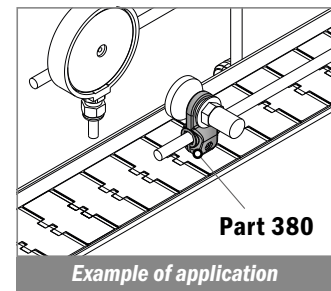
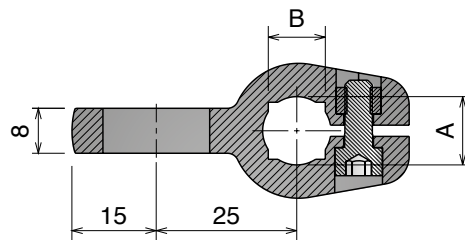
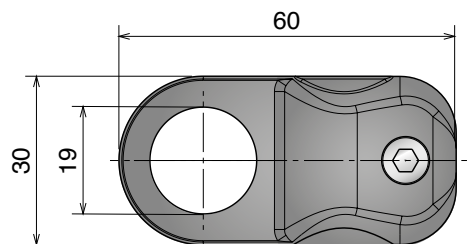
Part	Article-Nr.	A	B
379	37901	10	8
 379	37902	12	10
379	37903	14	12



380 Morsetto per fotocellule o sensori Clamp for photocells or sensors / Klemme für Lichtschranke oder Sensoren

Delivery: **Easy** **Standard**

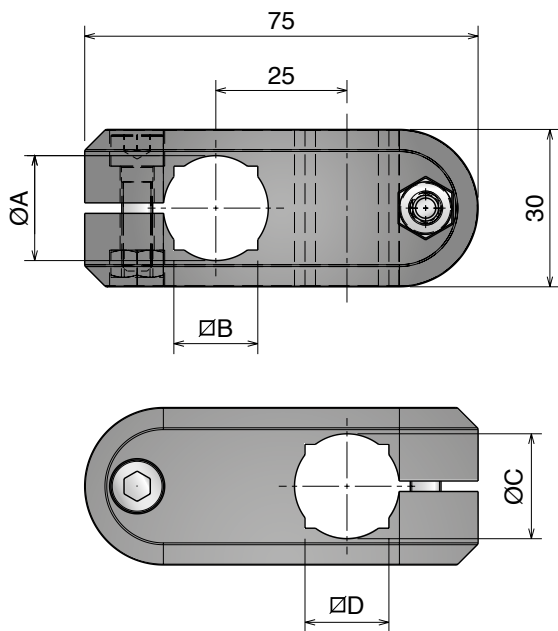
Part	Article-Nr.	A	B
380	38001	10	8
 380	38002	12	10
 380	38003	14	12



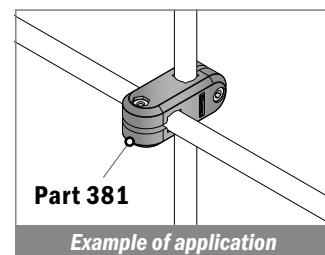
381 Morsetto a croce Cross clamp / Kreuzklemmee

NOW ALSO IN HYGIENIC BLUE

Delivery: **Easy** **Standard**



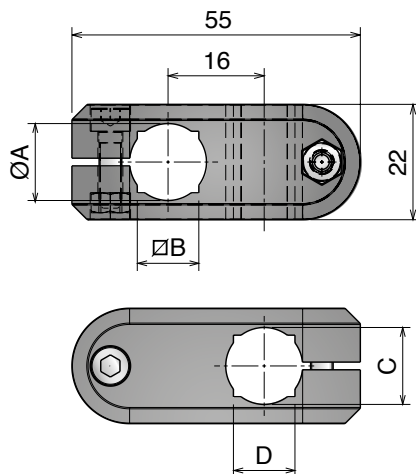
Part	Article-Nr.	ØA	ØB	ØC	ØD	Colour
381	38101	14	12	14	12	Black
381	38102	16	14	16	14	Black
381	38103	18	-	18	-	Black
381	38104	20	16	20	16	Black
381	38111	14	12	14	12	Hygienic blue
381	38112	16	14	16	14	Hygienic blue
381	38113	18	-	18	-	Hygienic blue
381	38114	20	16	20	16	Hygienic blue
381	38121	16	-	16	-	Stainless steel
381	38122	16	-	20	-	Stainless steel
381	38123	20	-	20	-	Stainless steel



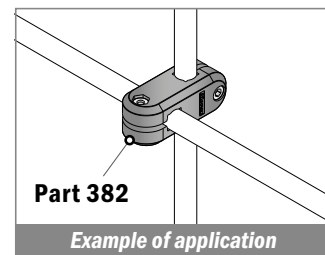
382 Morsetto a croce Cross clamp / Kreuzklemmee

NOW ALSO IN HYGIENIC BLUE

Delivery: **Easy** **Standard**



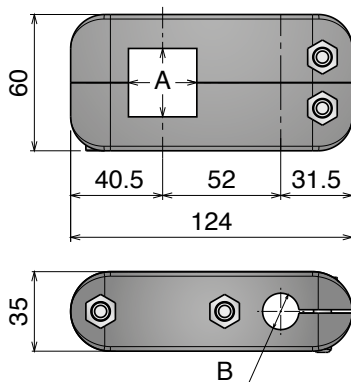
Part	Article-Nr.	ØA	ØB	C	D	Colour
382	38201	10	8	10	8	Black
382	38202	12	10	12	10	Black
382	38203	14	12	14	12	Black
382	38211	10	8	10	8	Hygienic blue
382	38212	12	10	12	10	Hygienic blue
382	38213	14	12	14	12	Hygienic blue



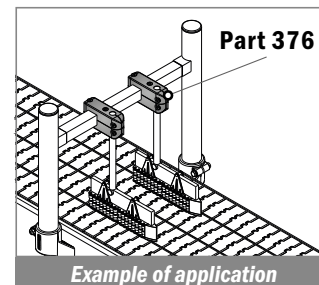
376 Morsetto a croce "extra" Extra Cross Block / Kreuzklemme "Extra"

NEW DESIGN

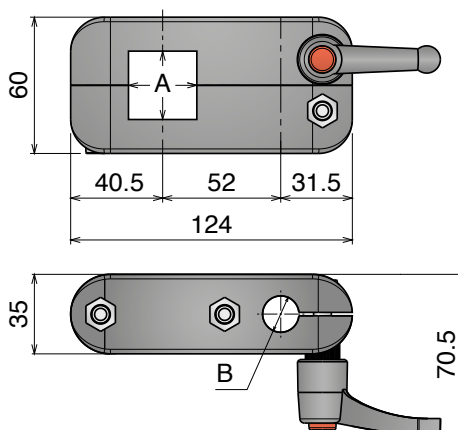
Delivery: **Easy** Standard



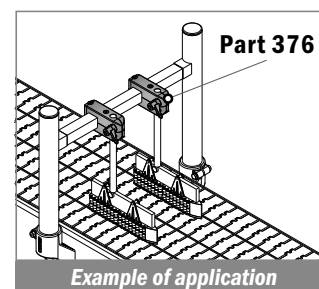
Part	Article-Nr.	A	B
376	37601	30x30	16
376	37604	30x30	20
376	37602	40x40	16
376	37603	40x40	20



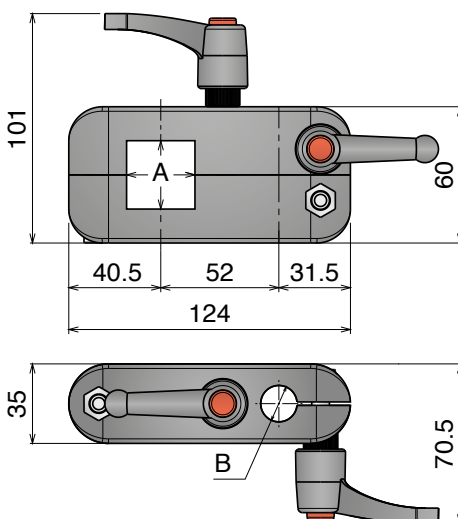
Morsetto a croce "extra" con maniglia Extra Cross Block with handle / Kreuzklemme "Extra" m. Ratschenhebel



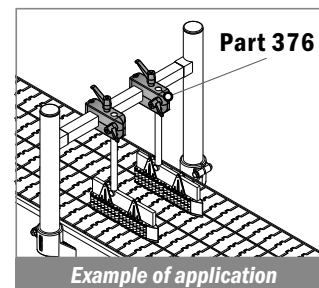
Part	Article-Nr.	A	B
376	37611	30x30	16
376	37614	30x30	20
376	37612	40x40	16
376	37613	40x40	20



Morsetto a croce "extra" con maniglie Extra Cross Block with handles / Kreuzklemme "Extra" m. Ratschenhebel



Part	Article-Nr.	A	B
376	37621	30x30	16
376	37624	30x30	20
376	37622	40x40	16
376	37623	40x40	20



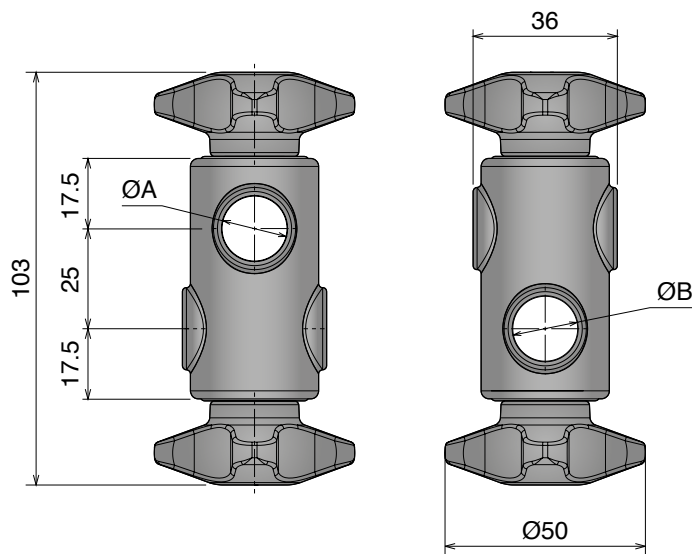
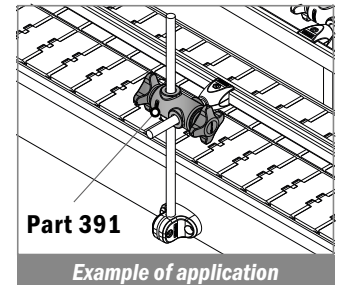
• **Materiale / Material / Materialien:** Corpo: PA/Body: PA/Korpus: PA
 Volantino: PA+ ottone nichelato/Knob: PA+ nickel plated brass/Stengriff: PA+ messing vernickelt
 Tirante e rondella: Acciaio inox/Eyebolt and washer: Stainless steel/ Augenschraube und Unterlegs: Edelstahl

391 Morsetto a croce Cross clamp / Kreuzklemme

Delivery: **Easy** **Standard**

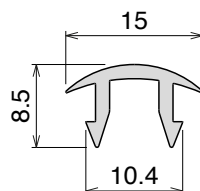


Part	Article-Nr.	ØA	ØB
391	39101	12	12
391	39103	14	14
391	39102	16	16
391	39104	12	16

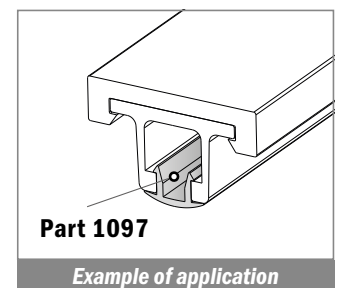


NEW 1097 Profilo di chiusura Closing profile / Abdeckprofil

Delivery: **Easy** **Standard**



Article-Nr.	Material	Availability	Supply
109701-30	Grey PVC	Stock item	30 m coils

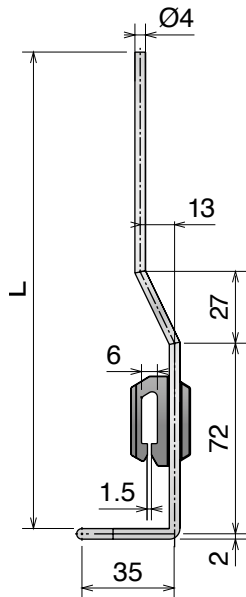
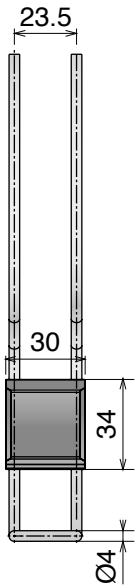


Used with Part:
 154 - 155 - 159 - 164 - 165 - 188
 358 - 359 - 360 - 361 - 1055 - 1088 - 1089

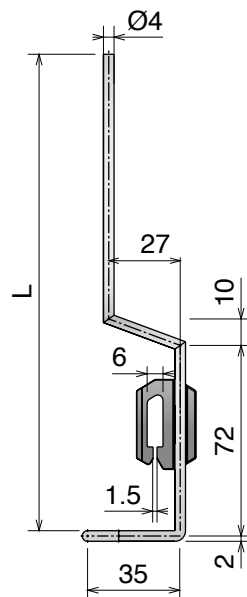
387 Sostegno per Sgocciolatoio Drip Tray Supports / Tropfblechhalter

Delivery: **Easy** **Standard** Max load capacity 20 Kg

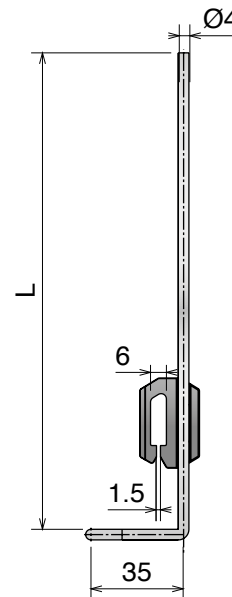
Part	Article-Nr.	L	Type
387	38701	180	A
387	38702	250	A
387	38703	180	B
387	38704	250	B
387	38705	280	B
387	38706	246	C
387	38707	396	C
387	38708	180	D
387	38709	250	D



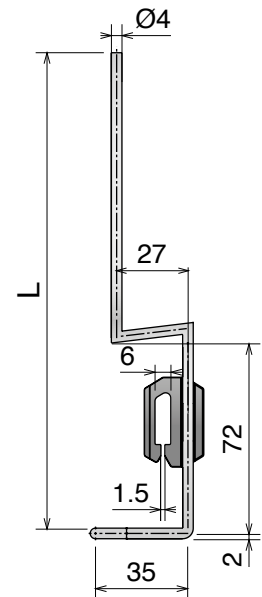
TYPE A



TYPE B



TYPE C

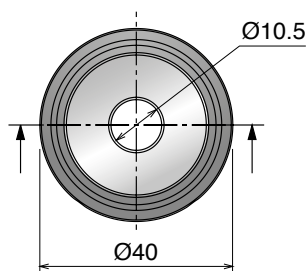
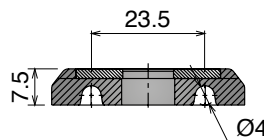
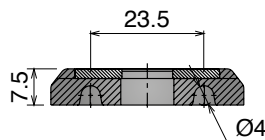


TYPE D

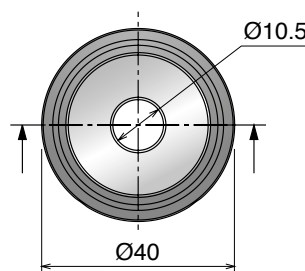
388 Rondella di fissaggio Fixing washer / Fixierscheibe

Delivery: **Easy** **Standard**

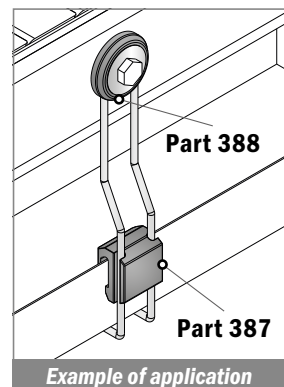
Part	Article-Nr.	Type
388	38801	A
388	38802	B



TYPE A



TYPE B



NEW 903 Vite igienica certificata ed igienica Certified hygienic screw / Zertifiziert hygienische Schraube

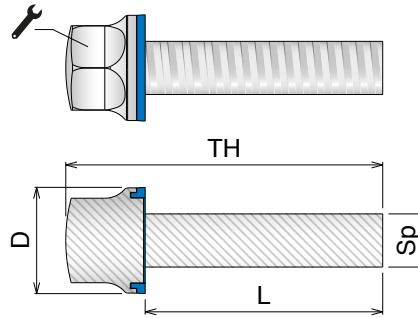
Delivery: **Easy** **Standard**



Main features:

- Stainless steel AISI 304
- Blue seal for hermetic closure

Art-Nr.	Sp	D	TH	L		Box
903255	M8	16	58	45	13	10 pcs
903253	M10	20	60	45	16	10 pcs
903251	M12	24,5	78	60	18	10 pcs



CERTIFIED PRODUCTS
ASK FOR CERTIFICATION:
certificate@movexii.com

Example of application

NEW 903 Dado certificato ed igienico Certified hygienic nut / Zertifiziert hygienische Hutmutter

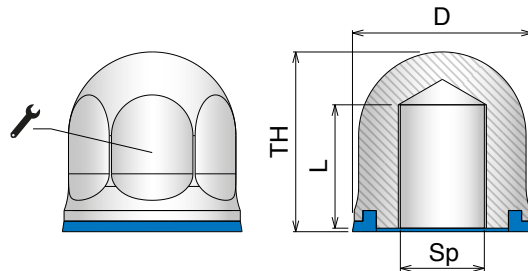
Delivery: **Easy** **Standard**



Main features:

- Stainless steel AISI 304
- Blue seal for hermetic closure

Art-Nr.	Sp	D	TH	L		Box
903235	M6	13	14	10	10	10 pcs
903236	M8	16	17	12	13	10 pcs
903237	M10	20	20,5	15	16	10 pcs
903238	M12	24,5	25	18	18	10 pcs
903239	M16	32	32	23	24	10 pcs
903240	M20	39	38	27	30	10 pcs



CERTIFIED PRODUCTS
ASK FOR CERTIFICATION:
certificate@movexii.com

Example of application

998 Dado Nut / Sechskantmutter

Delivery: **Easy** **Standard**



Main features:

- Stainless steel (SS) or Zinc plated steel (FeZn)
- UNI 5588 - ISO 4032 - DIN 934

Art-Nr.	Art-Nr.	Sp	Box
SS	FeZn		
99801	99801Z	M10	50 pcs
99802	99802Z	M12	50 pcs
99804	99804Z	M16	10 pcs
99805	99805Z	M20	10 pcs
99806	99806Z	M24	5 pcs
99807	99807Z	M30	5 pcs
99808	99808Z	M36	5 pcs