

PRODUCT CATALOG



BEARING SUPPORTS

COMPLETE RANGE

Movex[®]
www.movexii.com



A WORLD
OF SOLUTIONS
FOR **YOU.**

Movex bearing supports are a reliable solution for several markets, like beverage, food, pharmaceutical and industrial environments: based on the application requirements, almost 1500 different types can be found.

DESIGNED FOR EVERY NEED.

Table of contents

See product page for specific details and materials available.

UCFL Series

Ø20-Ø25-Ø30-Ø35-Ø40



Standard and watertight version

Pag 4

UCF Series

Ø25-Ø30-Ø35-Ø40



Standard and watertight version

Pag 17

UCFA Series

Ø20-Ø25-Ø30



Standard and watertight version

Pag 30

UCFL-H | UCF-H Series

Ø30-Ø35-Ø40



Watertight version

Pag 37

CL | CS Series

Ø30-Ø35-Ø40



Watertight version

Pag 46/54

SUCF | SUCFL | SUCFK Series

Ø20-Ø25-Ø30-Ø35-Ø45



Standard version

Pag 62

HYGIENIC Series

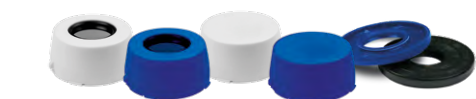


Standard and watertight version

Pag 66

Accessories

HYGIENIC SAFETY CAP AND SEALING RING



Pag 82

STANDARD SAFETY CAP



Pag 83

UCFL series

Delivery: **Easy**
Standard

UCFL standard

WITH GRUB SCREW



• **REINFORCED VERSION**
Pag 05

• **SOLID VERSION**
Pag 06

UCFL watertight

WITH GRUB SCREW



• **REINFORCED VERSION**
Close & open cap pag 7/8

• **SOLID VERSION**
Close & open cap pag 9/10

UCFL standard

WITH LOCKING COLLAR
(eccentric ring)



• **REINFORCED VERSION**
Pag 11

• **SOLID VERSION**
Pag 12

UCFL watertight

WITH LOCKING COLLAR
(eccentric ring)



• **REINFORCED VERSION**
Close & open cap pag 13/14

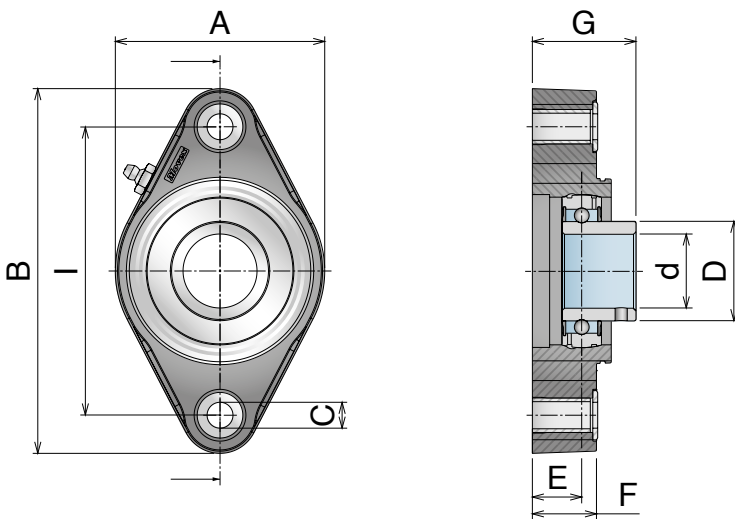
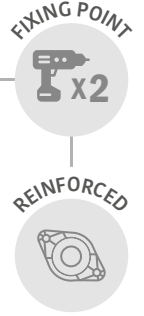
• **SOLID VERSION**
Close & open cap pag 15/16

UCFL GRUB SCREW

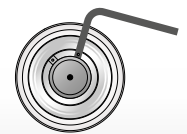
STANDARD BEARINGS - REINFORCED VERSION

Main features:

- Housing in reinforced polyamide
- Chrome steel or stainless steel ball bearing (pre-lubricated)
- Nickel-plated brass mounting hole spacers
- Nickel plated steel or SS grease nipple 1/8" GAS
- Stainless steel washers



FIXING METHOD



GRUB SCREW

Chrome Steel	Stainless Steel	For solid version see pag 6										Caps (Accessories)	
Article-Number	Series	d	I	A	B	C	D	E	F	G	Close	Open	
80110	80110SS	UCFL 204	20	90	62	116	11	29	16	20	34	89004	89054-20
80100	80100SS			90	71	130	11	29	17,5	22,5	33,5	89001	89051-20
80121	80121SS	UCFL 205/90	25	90	85	116	11	34	14,5	20	34	89005	89055-25
80101	80101SS			90	71	130	11	34	16,8	22,5	36,3	89001	89051-25
80111	80111SS			99	71	130	11	34	16,8	22,5	36,3	89001	89051-25
80122	80122SS	UCFL 206/90	30	90	85	116	11	40,3	14,5	20	36,5	89005	89055-30
80132	80132SS			99	85	130	11	40,3	20	26	42	89002	89052-30
80102	80102SS			99	85	148	11	40,3	20	26	42	89002	89052-30
80112	80112SS			117	85	148	11	40,3	20	26	42	89002	89052-30
80103	80103SS	UCFL 207/117	35	117	93	148	11	48	19,5	26	43	89003	89053-35
80113	80113SS			130	93	162	11	48	19,5	26	43	89003	89053-35
80104	80104SS	UCFL 208/117	40	117	93	148	11	53	19	26	44	89003	89053-40
80114	80114SS			130	93	162	11	53	19	26	44	89003	89053-40

The **UCFL standard bearings - reinforced version** are made in reinforced polyamide with high mechanical strength and great resistance against corrosive chemicals such as water, oils, petrol and liquids containing alcohol. Bearings are made in chrome steel or in stainless steel, with 2,5° adjustment. The grease nipple is made in nickel plated steel for chrome steel bearings and stainless steel for SS bearings. They can be used at temperature between 0°C and +80°C.

FIXING POINT



SOLID

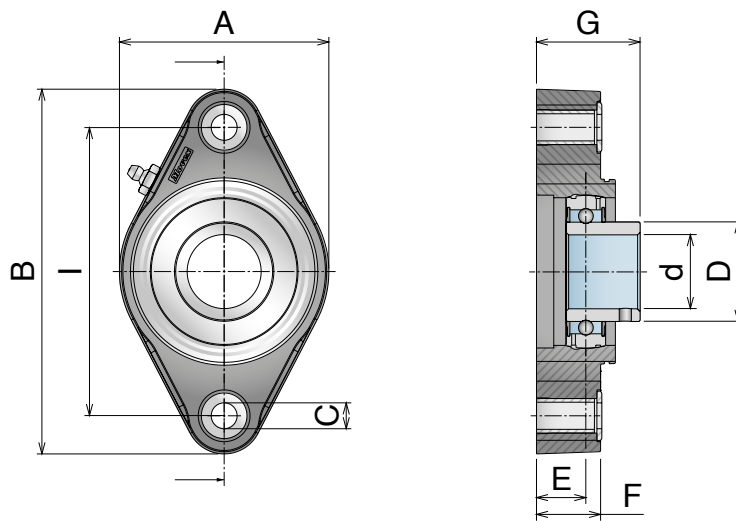


UCFL GRUB SCREW

STANDARD BEARINGS - SOLID VERSION

Main features:

- Housing in reinforced polypropylene
- Chrome steel or stainless steel ball bearing (pre-lubricated)
- Nickel-plated brass mounting hole spacers
- Nickel plated steel or SS grease nipple 1/8" GAS
- Stainless steel washers



FIXING METHOD



GRUB SCREW

Chrome Steel		Stainless Steel											Caps (Accessories)	
Article-Number		Series	d	I	A	B	C	D	E	F	G	Close	Open	
82205	82205SS	UCFL 204/76,5	20	76,4	55,9	100	10,2	29	15,5	12	33,5	89007	89057-20	
82210	82210SS	UCFL 204		90	62	116	11	29	16	20	34	89004	89054-20	
82201	82201SS	UCFL 205/90	25	90	71	130	10,2	34	16,8	22,5	36,3	89001	89051-25	
82211	82211SS	UCFL 205		99	71	130	11	34	16,8	22,5	36,3	89001	89051-25	
82222	82222SS	UCFL 206/90	30	90	85	116	10,2	40,3	14,5	20	36,5	89005	89055-30	
82212	82212SS	UCFL 206		117	85	148	11	40,3	20	26	42	89002	89052-30	
82203	82203SS	UCFL 207/117	35	117	93	148	11	48	19,5	26	43	89003	89053-35	
82213	82213SS	UCFL 207		130	93	162	11	48	19,5	26	43	89003	89053-35	
82204	82204SS	UCFL 208/117	40	117	93	148	11	53	19	26	44	89003	89053-40	

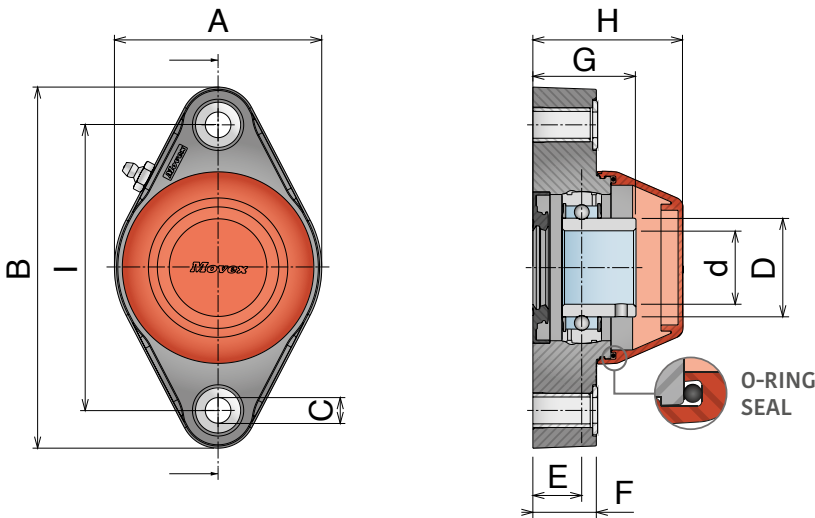
The **UCFL standard bearings - solid version** are made in reinforced polypropylene with good mechanical strength and excellent resistance against corrosive chemicals such as water, oils, petrol and liquids containing alcohol. Inside the housing, the bearings are made in chrome steel or in stainless steel. The grease nipple is made in nickel plated steel for chrome steel bearings and stainless steel for SS bearings. They can be used at temperature between 0°C and +80°C.

UCFL GRUB SCREW

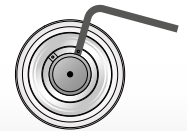
WATERTIGHT BEARINGS - REINFORCED VERSION

Main features:

- Housing in reinforced polyamide
- Chrome steel or stainless steel ball bearing (pre-lubricated)
- Nickel-plated brass mounting hole spacers
- Nickel plated steel or SS grease nipple 1/8" GAS (No for "Long life")
- Polypropylene closed cap with O-ring seal
- Stainless steel washers
- NBR bottom seal



FIXING METHOD



GRUB SCREW

Chrome Steel	Chrome Steel "Long life"	Stainless Steel	For open version see pag 8										
Article-Number			Series	d	I	A	B	C	D	E	F	G	H
80310	80310L	80310SS	UCFL 204	20	90	62	116	11	29	16	20	34	51,5
80300	80300L	80300SS	UCFL 204		90	71	130	11	29	17,5	22,5	33,5	52
80321	80321L	80321SS	UCFL 205/90	25	90	85	116	11	34	14,5	20	34	55,5
80301	80301L	80301SS	UCFL 205/90		90	71	130	11	34	16,8	22,5	36,3	52
80311	80311L	80311SS	UCFL 205		99	71	130	11	34	16,8	22,5	36,3	52
80322	80322L	80322SS	UCFL 206/90	30	90	85	116	11	40,3	14,5	20	36,5	55,5
80332	80332L	80332SS	UCFL 206/99		99	85	130	11	40,3	20	26	42	61,5
80302	80302L	80302SS	UCFL 206/99		99	85	148	11	40,3	20	26	42	61,5
80312	80312L	80312SS	UCFL 206		117	85	148	11	40,3	20	26	42	61,5
80303	80303L	80303SS	UCFL 207/117	35	117	93	148	11	48	19,5	26	43	66,5
80313	80313L	80313SS	UCFL 207		130	93	162	11	48	19,5	26	43	66,5
80304	80304L	80304SS	UCFL 208/117	40	117	93	148	11	53	19	26	44	66,5
80314	80314L	80314SS	UCFL 208		130	93	162	11	53	19	26	44	66,5

The **UCFL watertight bearings - reinforced version** are made in reinforced polyamide with high mechanical strength and great resistance against corrosive chemicals such as water, oils, petrol and liquids containing alcohol. The bearing has a watertight PP cover for sealing, preventing dirt and bacteria from penetrating and increasing the life of the insert. Bearings are made in chrome steel or in stainless steel, with 2,5° adjustment. The grease nipple is made in nickel plated steel for chrome steel bearings and stainless steel for SS bearings, not available for the "Long life" version (without hole).

FIXING POINT



REINFORCED



WITH OPEN CAP

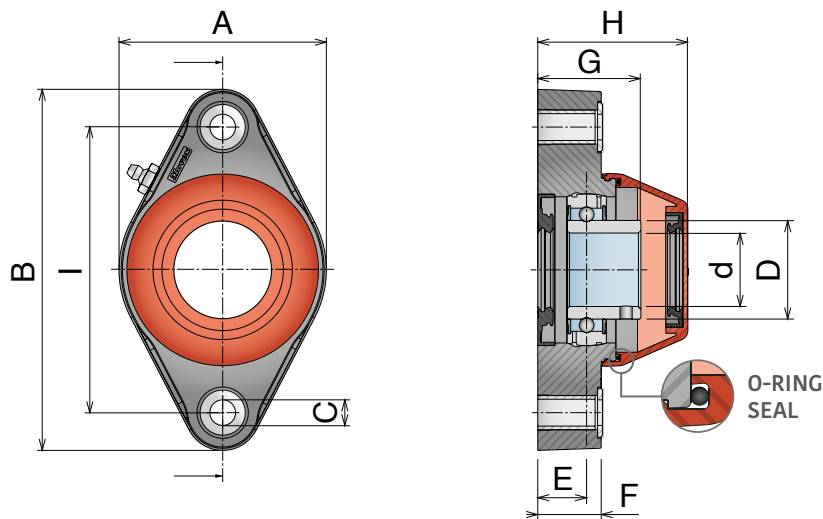


UCFL GRUB SCREW

WATERTIGHT BEARINGS - REINFORCED VERSION

Main features:

- Housing in reinforced polyamide
- Chrome steel or stainless steel ball bearing (pre-lubricated)
- Nickel-plated brass mounting hole spacers
- Nickel plated steel or SS grease nipple 1/8" GAS (No for "Long life")
- Polypropylene open cap with O-ring seal & NBR top seal
- Stainless steel washers
- NBR bottom seal



FIXING METHOD



GRUB SCREW

Chrome Steel	Chrome Steel "Long life"	Stainless Steel	Series	d	I	A	B	C	D	E	F	G	H
Article-Number			Series	d	I	A	B	C	D	E	F	G	H
80410	80410L	80410SS	UCFL 204	20	90	62	116	11	29	16	20	34	51,5
80400	80400L	80400SS	UCFL 204		90	71	130	11	29	17,5	22,5	33,5	52
80421	80421L	80421SS	UCFL 205/90	25	90	85	116	11	34	14,5	20	34	55,5
80401	80401L	80401SS	UCFL 205/90		90	71	130	11	34	16,8	22,5	36,3	52
80411	80411L	80411SS	UCFL 205		99	71	130	11	34	16,8	22,5	36,3	52
80422	80422L	80422SS	UCFL 206/90	30	90	85	116	11	40,3	14,5	20	36,5	55,5
80432	80432L	80432SS	UCFL 206/99		99	85	130	11	40,3	20	26	42	61,5
80402	80402L	80402SS	UCFL 206/99		99	85	148	11	40,3	20	26	42	61,5
80412	80412L	80412SS	UCFL 206		117	85	148	11	40,3	20	26	42	61,5
80403	80403L	80403SS	UCFL 207/117	35	117	93	148	11	48	19,5	26	43	66,5
80413	80413L	80413SS	UCFL 207		130	93	162	11	48	19,5	26	43	66,5
80404	80404L	80404SS	UCFL 208/117	40	117	93	148	11	53	19	26	44	66,5
80414	80414L	80414SS	UCFL 208		130	93	162	11	53	19	26	44	66,5

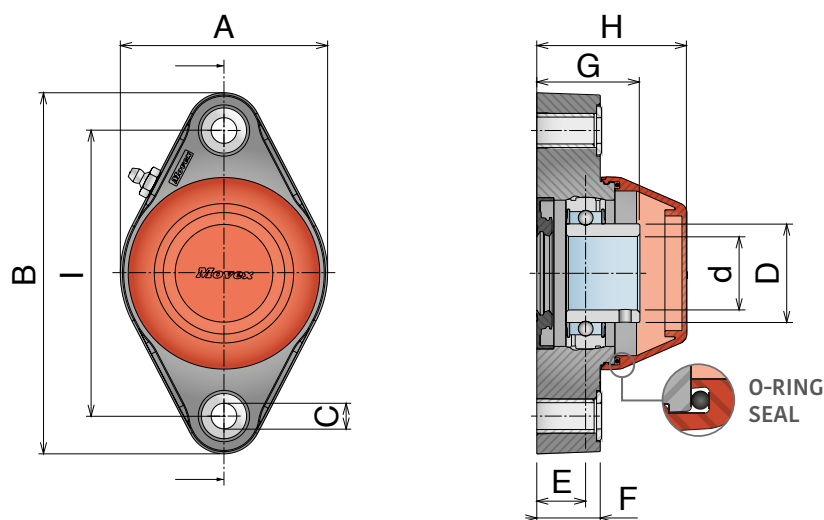
The UCFL watertight bearings - reinforced version are made in reinforced polyamide with high mechanical strength and great resistance against corrosive chemicals such as water, oils, petrol and liquids containing alcohol. The bearing has a watertight PP cover for sealing, preventing dirt and bacteria from penetrating and increasing the life of the insert. Bearings are made in chrome steel or in stainless steel, with 2,5° adjustment. The grease nipple is made in nickel plated steel for chrome steel bearings and stainless steel for SS bearings, not available for the "Long life" version (without hole).

UCFL GRUB SCREW

WATERTIGHT BEARINGS - SOLID VERSION

Main features:

- Housing in reinforced polypropylene
- Chrome steel or stainless steel ball bearing (pre-lubricated)
- Nickel-plated brass mounting hole spacers
- Nickel plated steel or SS grease nipple 1/8" GAS (No for "Long life")
- Polypropylene closed cap with O-ring seal
- Stainless steel washers
- NBR bottom seal



FIXING METHOD



GRUB SCREW

Chrome Steel	Chrome Steel "Long life"	Stainless Steel											
Article-Number			Series	d	I	A	B	C	D	E	F	G	H
82405	82405L	82405SS	UCFL 204/76,5	20	76,5	56	100	10,2	29	15,5	12	26	49
82410	82410L	82410SS	UCFL 204		90	62	116	11	29	16	20	34	51,5
82401	82401L	82401SS	UCFL 205/90	25	90	71	130	10,2	34	16,8	22,5	36,3	52
82411	82411L	82411SS	UCFL 205		99	71	130	11	34	16,8	22,5	36,3	52
82422	82422L	82422SS	UCFL 206/90	30	90	85	116	10,2	40,3	14,5	20	36,5	55,5
82412	82412L	82412SS	UCFL 206		117	85	148	11	40,3	20	26	42	61,5
82403	82403L	82403SS	UCFL 207/117	35	117	93	148	11	48	19,5	26	43	66,5
82413	82413L	82413SS	UCFL 207		130	93	162	11	48	19,5	26	43	66,5
82404	82404L	82404SS	UCFL 208/117	40	117	93	148	11	53	19	26	44	66,5

For open version see pag 10

The **UCFL watertight bearings - solid version** are made in reinforced polypropylene with good mechanical strength and excellent resistance against corrosive chemicals such as water, oils, petrol and liquids containing alcohol. The bearing has a watertight PP cover for sealing, preventing dirt and bacteria from penetrating and increasing the life of the insert. Bearings are made in chrome steel or in stainless steel, with 2,5° adjustment. The grease nipple is made in nickel plated steel for chrome steel bearings and stainless steel for SS bearings, not available for the "Long life" version (without hole).

FIXING POINT



SOLID



WITH OPEN CAP

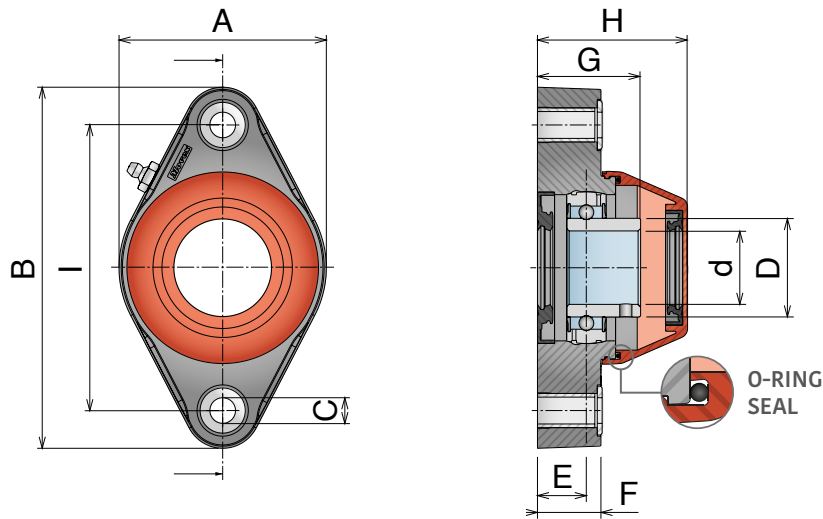


UCFL GRUB SCREW

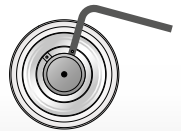
WATERTIGHT BEARINGS - SOLID VERSION

Main features:

- Housing in reinforced polypropylene
- Chrome steel or stainless steel ball bearing (pre-lubricated)
- Nickel-plated brass mounting hole spacers
- Nickel plated steel or SS grease nipple 1/8" GAS (No for "Long life")
- Polypropylene open cap with O-ring seal & NBR top seal
- Stainless steel washers
- NBR bottom seal



FIXING METHOD



GRUB SCREW

Chrome Steel	Chrome Steel "Long life"	Stainless Steel	Series	d	I	A	B	C	D	E	F	G	H
Article-Number													
82505	82505L	82505SS	UCFL 204/76,5	20	76,5	56	100	10,2	29	15,5	12	26	49
82510	82510L	82510SS	UCFL 204		90	62	116	11	29	16	20	34	51,5
82501	82501L	82501SS	UCFL 205/90	25	90	71	130	10,2	34	16,8	22,5	36,3	52
82511	82511L	82511SS	UCFL 205		99	71	130	11	34	16,8	22,5	36,3	52
82522	82522L	82522SS	UCFL 206/90	30	90	85	116	10,2	40,3	14,5	20	36,5	55,5
82512	82512L	82512SS	UCFL 206		117	85	148	11	40,3	20	26	42	61,5
82503	82503L	82503SS	UCFL 207/117	35	117	93	148	11	48	19,5	26	43	66,5
82513	82513L	82513SS	UCFL 207		130	93	162	11	48	19,5	26	43	66,5
82504	82504L	82504SS	UCFL 208/117	40	117	93	148	11	53	19	26	44	66,5

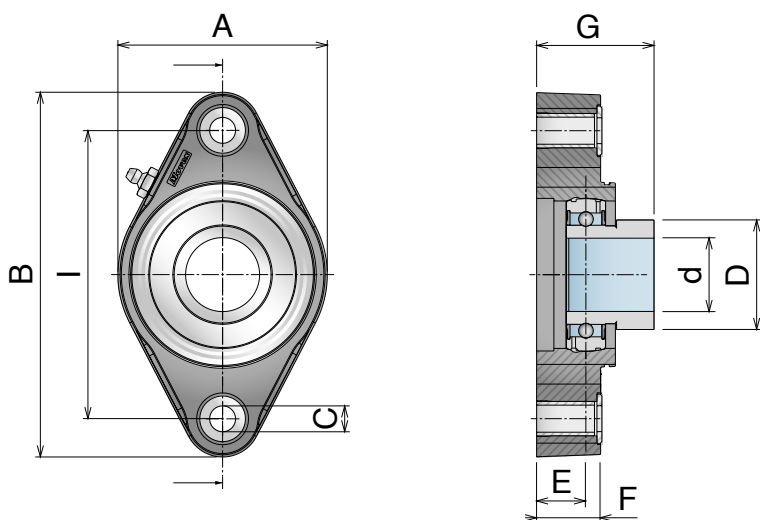
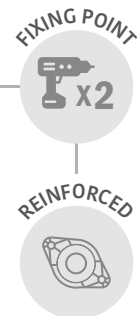
The UCFL watertight bearings - solid version are made in reinforced polypropylene with good mechanical strength and excellent resistance against corrosive chemicals such as water, oils, petrol and liquids containing alcohol. The bearing has a watertight PP cover for sealing, preventing dirt and bacteria from penetrating and increasing the life of the insert. Bearings are made in chrome steel or in stainless steel, with 2,5° adjustment. The grease nipple is made in nickel plated steel for chrome steel bearings and stainless steel for SS bearings, not available for the "Long life" version (without hole).

UCFL LOCKING COLLAR

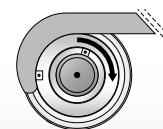
STANDARD BEARINGS - REINFORCED VERSION

Main features:

- Housing in reinforced polyamide
- Chrome steel ball bearing (pre-lubricated)
- Nickel-plated brass mounting hole spacers
- Nickel plated steel grease nipple 1/8" GAS
- Stainless steel washers



FIXING METHOD
(ECCENTRIC RING)



LOCKING COLLAR

Chrome Steel		For solid version see pag 12									Caps (Accessories)	
Article-Number	Series	d	I	A	B	C	D	E	F	G	Close	Open
80210	UCFL 204	20	90	62	116	11	33,3	16	20	39,9	89004	89054-20
80200	UCFL 204		90	71	130	11	33,3	17,5	22,5	41,4	89001	89051-20
80221	UCFL 205/90	25	90	85	116	11	38,1	14,5	20	37,9	89005	89055-25
80201	UCFL 205/90		90	71	130	11	38,1	16,8	22,5	40,2	89001	89051-25
80211	UCFL 205		99	71	130	11	38,1	16,8	22,5	40,2	89001	89051-25
80222	UCFL 206/90	30	90	85	116	11	44,5	14,5	20	42,2	89005	89055-30
80232	UCFL 206/99		99	85	130	11	44,5	20	26	47,7	89002	89052-30
80202	UCFL 206/99		99	85	148	11	44,5	20	26	47,7	89002	89052-30
80212	UCFL 206		117	85	148	11	44,5	20	26	47,7	89002	89052-30
80203	UCFL 207/117	35	117	93	148	11	55,6	19,5	26	49,9	89003	89053-35
80213	UCFL 207		130	93	162	11	55,6	19,5	26	49,9	89003	89053-35
80204	UCFL 208/117	40	117	93	148	11	60,3	19	26	53,7	89003	89053-40
80214	UCFL 208		130	93	162	11	60,3	19	26	53,7	89003	89053-40

The **UCFL standard bearings - reinforced version** are made in reinforced polyamide with high mechanical strength and great resistance against corrosive chemicals such as water, oils, petrol and liquids containing alcohol. Bearings are made in chrome steel, with 2,5° adjustment. The bearings inside the flange can be adjusted by 2,5° and the grease nipple is made in nickel-plated steel. They can be used at temperature between 0°C and +80°C.

FIXING POINT



SOLID

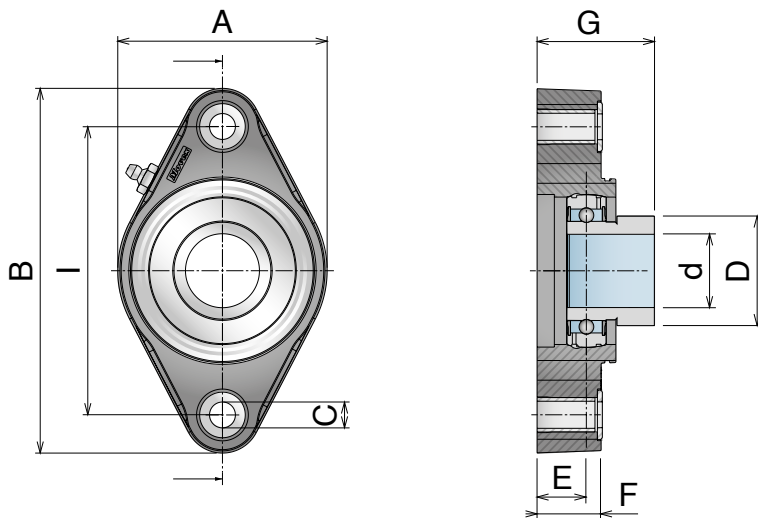
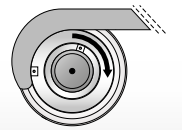


UCFL LOCKING COLLAR

STANDARD BEARINGS - SOLID VERSION

Main features:

- Housing in reinforced polypropylene
- Chrome steel ball bearing (pre-lubricated)
- Nickel-plated brass mounting hole spacers
- Nickel plated steel grease nipple 1/8" GAS
- Stainless steel washers

FIXING METHOD
(ECCENTRIC RING)

LOCKING COLLAR

Chrome Steel												Caps (Accessories)	
Article-Number	Series	d	I	A	B	C	D	E	F	G	Close	Open	
82305	UCFL 204/76,5	20	76,4	55,9	100	10,2	33,3	16	12	33,5	89007	89057-20	
82310	UCFL 204		90	62	116	11	33,3	16	20	39,9	89004	89054-20	
82301	UCFL 205/90	25	90	71	130	10,2	38,1	16,8	22,5	36,3	89001	89051-25	
82311	UCFL 205		99	71	130	11	38,1	16,8	22,5	40,2	89001	89051-25	
82322	UCFL 206/90	30	90	85	116	10,2	44,5	14,4	20	36,5	89005	89055-30	
82312	UCFL 206		117	85	148	11	44,5	20	26	47,7	89002	89052-30	
82303	UCFL 207/117	35	117	93	148	11	55,6	19,5	26	43	89003	89053-35	
82313	UCFL 207		130	93	162	11	55,6	19,5	26	49,9	89003	89053-35	
82304	UCFL 208/117	40	117	93	148	11	60,3	19	26	53,7	89003	89053-40	

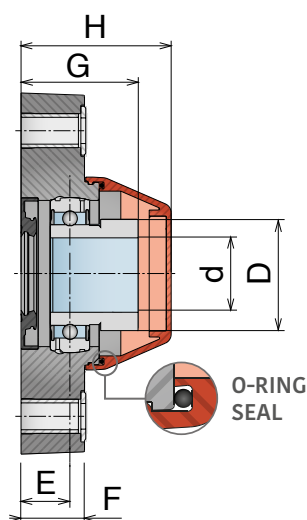
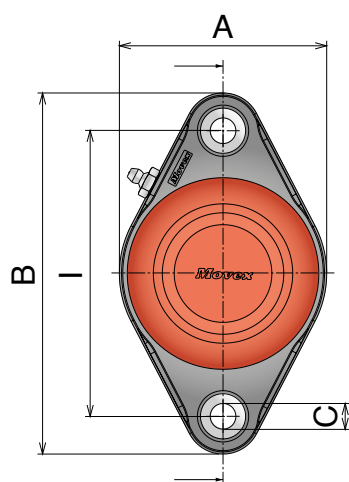
The **UCFL standard bearings - solid version** are made in reinforced polypropylene with good mechanical strength and excellent resistance against corrosive chemicals such as water, oils, petrol and liquids containing alcohol. Bearings are made in chrome steel, with 2,5° adjustment. The bearings inside the flange can be adjusted by 2.5° and the grease nipple is made in nickel-plated steel. They can be used at temperature between 0°C and +80°C.

UCFL LOCKING COLLAR

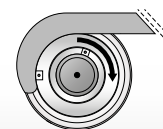
WATERTIGHT BEARINGS - REINFORCED VERSION

Main features:

- Housing in reinforced polyamide
- Chrome steel ball bearing (pre-lubricated)
- Nickel-plated brass mounting hole spacers
- Nickel plated steel grease nipple 1/8" GAS
- Polypropylene closed cap with O-ring seal
- Stainless steel washers
- NBR bottom seal



FIXING METHOD
(ECCENTRIC RING)



LOCKING COLLAR

Chrome Steel		For open version see pag 14									
Article-Number	Series	d	I	A	B	C	D	E	F	G	H
80510	UCFL 204	20	90	62	116	11	33,3	16	20	39,9	51,5
80500	UCFL 204		90	71	130	11	33,3	17,5	22,5	41,4	52
80521	UCFL 205/90	25	90	85	116	11	38,1	14,5	20	37,9	55,5
80501	UCFL 205/90		90	71	130	11	38,1	16,8	22,5	40,2	52
80511	UCFL 205		99	71	130	11	38,1	16,8	22,5	40,2	52
80522	UCFL 206/90	30	90	85	116	11	44,5	14,5	20	42,2	55,5
80532	UCFL 206/99		99	85	130	11	44,5	20	26	47,7	61,5
80502	UCFL 206/99		99	85	148	11	44,5	20	26	47,7	61,5
80512	UCFL 206		117	85	148	11	44,5	20	26	47,7	61,5
80503	UCFL 207/117	35	117	93	148	11	55,6	19,5	26	49,9	66,5
80513	UCFL 207		130	93	162	11	55,6	19,5	26	49,9	66,5
80504	UCFL 208/117	40	117	93	148	11	60,3	19	26	53,7	66,5
80514	UCFL 208		130	93	162	11	60,3	19	26	53,7	66,5

The **UCFL watertight bearings - reinforced version** are made in reinforced polyamide with high mechanical strength and great resistance against corrosive chemicals such as water, oils, petrol and liquids containing alcohol. The bearing has a watertight PP cover for sealing, preventing dirt and bacteria from penetrating and increasing the life of the insert. Bearings are made in chrome steel, with 2,5° adjustment. They can be used at temperature between 0°C and +80°C.

FIXING POINT



REINFORCED



WITH OPEN CAP

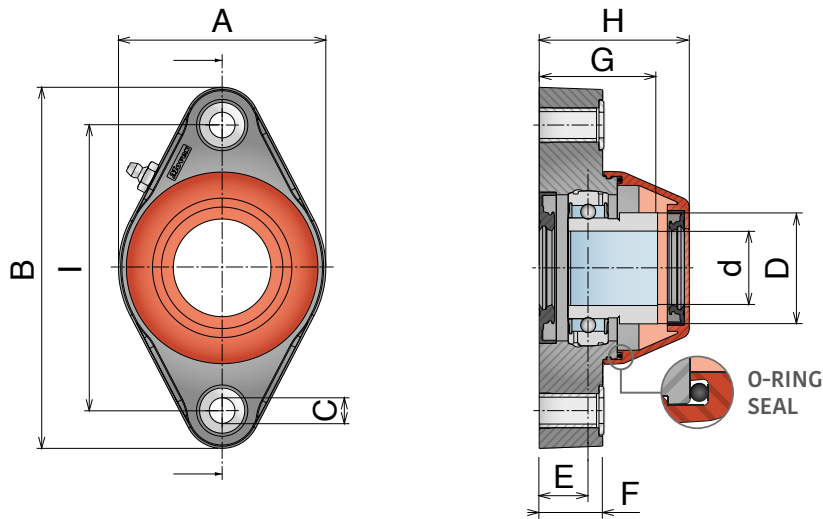


UCFL LOCKING COLLAR

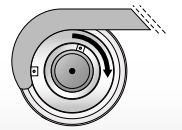
WATERTIGHT BEARINGS - REINFORCED VERSION

Main features:

- Housing in reinforced polyamide
- Chrome steel ball bearing (pre-lubricated)
- Nickel-plated brass mounting hole spacers
- Nickel plated steel grease nipple 1/8" GAS
- Polypropylene open cap with O-ring seal & NBR top seal
- Stainless steel washers
- NBR bottom seal



FIXING METHOD
(ECCENTRIC RING)



LOCKING COLLAR

Chrome Steel		Article-Number	Series	d	I	A	B	C	D	E	F	G	H
		80610	UCFL 204	20	90	62	116	11	33,3	16	20	39,9	51,5
		80600	UCFL 204		90	71	130	11	33,3	17,5	22,5	41,4	52
		80621	UCFL 205/90	25	90	85	116	11	38,1	14,5	20	37,9	55,5
		80601	UCFL 205/90		90	71	130	11	38,1	16,8	22,5	40,2	52
		80611	UCFL 205		99	71	130	11	38,1	16,8	22,5	40,2	52
		80622	UCFL 206/90	30	90	85	116	11	44,5	14,5	20	42,2	55,5
		80632	UCFL 206/99		99	85	130	11	44,5	20	26	47,7	61,5
		80602	UCFL 206/99		99	85	148	11	44,5	20	26	47,7	61,5
		80612	UCFL 206		117	85	148	11	44,5	20	26	47,7	61,5
		80603	UCFL 207/117	35	117	93	148	11	55,6	19,5	26	49,9	66,5
		80613	UCFL 207		130	93	162	11	55,6	19,5	26	49,9	66,5
		80604	UCFL 208/117	40	117	93	148	11	60,3	19	26	53,7	66,5
		80614	UCFL 208		130	93	162	11	60,3	19	26	53,7	66,5

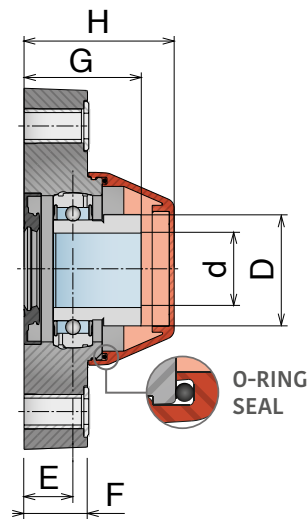
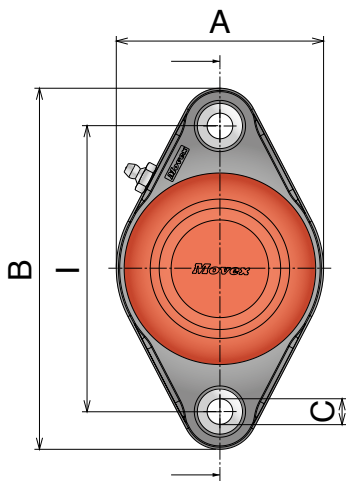
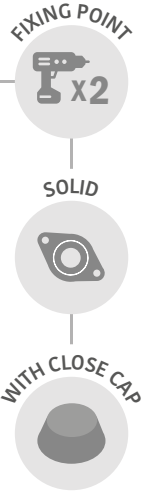
The **UCFL watertight bearings - reinforced version** are made in reinforced polyamide with high mechanical strength and great resistance against corrosive chemicals such as water, oils, petrol and liquids containing alcohol. The bearing has a watertight PP cover for sealing, preventing dirt and bacteria from penetrating and increasing the life of the insert. Bearings are made in chrome steel, with 2,5° adjustment. They can be used at temperature between 0°C and +80°C.

UCFL LOCKING COLLAR

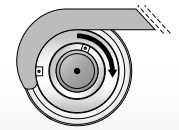
WATERTIGHT BEARINGS - SOLID VERSION

Main features:

- Housing in reinforced polypropylene
- Chrome steel ball bearing (pre-lubricated)
- Nickel-plated brass mounting hole spacers
- Nickel plated steel grease nipple 1/8" GAS
- Polypropylene closed cap with O-ring seal
- Stainless steel washers
- NBR bottom seal



FIXING METHOD
(ECCENTRIC RING)



LOCKING COLLAR

Chrome Steel		For open version see pag 16									
Article-Number	Series	d	I	A	B	C	D	E	F	G	H
82605	UCFL 204/76,5	20	76,5	56	100	10,2	33,3	15,5	12	39,4	49
82610	UCFL 204		90	62	116	11	33,3	16	20	39,9	51,5
82601	UCFL 205/90	25	90	71	130	10,2	38,1	16,8	22,5	40,2	52
82611	UCFL 205		99	71	130	11	38,1	16,8	22,5	40,2	52
82622	UCFL 206/90	30	90	85	116	10,2	44,5	14,5	20	42,2	55,5
82612	UCFL 206		117	85	148	11	44,5	20	26	47,7	61,5
82603	UCFL 207/117	35	117	93	148	11	55,6	19,5	26	49,9	66,5
82613	UCFL 207		130	93	162	11	55,6	19,5	26	49,9	66,5
82604	UCFL 208/117	40	117	93	148	11	60,3	19	26	53,7	66,5

The **UCFL watertight bearings - solid version** are made in reinforced polypropylene with good mechanical strength and excellent resistance against corrosive chemicals such as water, oils, petrol and liquids containing alcohol. The bearing has a watertight PP cover for sealing, preventing dirt and bacteria from penetrating and increasing the life of the insert. Bearings are made in chrome steel, with 2,5° adjustment. They can be used at temperature between 0°C and +80°C.

FIXING POINT



SOLID



WITH OPEN CAP

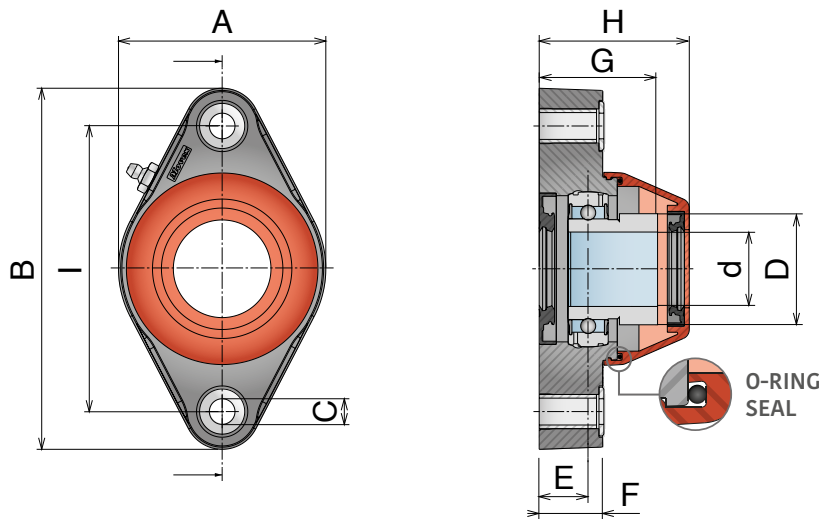


UCFL LOCKING COLLAR

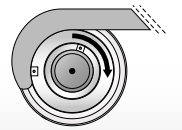
WATERTIGHT BEARINGS - SOLID VERSION

Main features:

- Housing in reinforced polypropylene
- Chrome steel ball bearing (pre-lubricated)
- Nickel-plated brass mounting hole spacers
- Nickel plated steel grease nipple 1/8" GAS
- Polypropylene open cap with O-ring seal & NBR top seal
- Stainless steel washers
- NBR bottom seal



FIXING METHOD
(ECCENTRIC RING)



LOCKING COLLAR

Chrome Steel												
Article-Number	Series	d	I	A	B	C	D	E	F	G	H	
82705	UCFL 204/76,5	20	76,5	56	100	10,2	33,3	15,5	12	39,4	49	
82710	UCFL 204		90	62	116	11	33,3	16	20	39,9	51,5	
82701	UCFL 205/90	25	90	71	130	10,2	38,1	16,8	22,5	40,2	52	
82711	UCFL 205		99	71	130	11	38,1	16,8	22,5	40,2	52	
82722	UCFL 206/90	30	90	85	116	10,2	44,5	14,5	20	42,2	55,5	
82712	UCFL 206		117	85	148	11	44,5	20	26	47,7	61,5	
82703	UCFL 207/117	35	117	93	148	11	55,6	19,5	26	49,9	66,5	
82713	UCFL 207		130	93	162	11	55,6	19,5	26	49,9	66,5	
82704	UCFL 208/117	40	117	93	148	11	60,3	19	26	53,7	66,5	

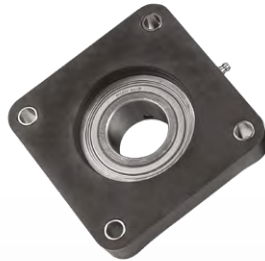
The **UCFL watertight bearings - solid version** are made in reinforced polypropylene with good mechanical strength and excellent resistance against corrosive chemicals such as water, oils, petrol and liquids containing alcohol. The bearing has a watertight PP cover for sealing, preventing dirt and bacteria from penetrating and increasing the life of the insert. Bearings are made in chrome steel, with 2,5° adjustment. They can be used at temperature between 0°C and +80°C.

UCF standard

WITH GRUB SCREW



• **REINFORCED VERSION**
Pag 18



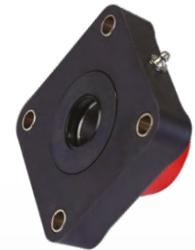
• **SOLID VERSION**
Pag 19

UCF watertight

WITH GRUB SCREW



• **REINFORCED VERSION**
Close & open cap pag 20/21



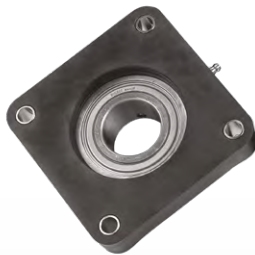
• **SOLID VERSION**
Close & open cap pag 22/23

UCF standard

WITH LOCKING COLLAR
(eccentric ring)



• **REINFORCED VERSION**
Pag 24



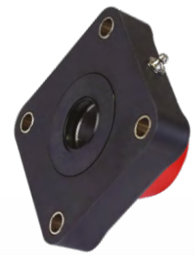
• **SOLID VERSION**
Pag 25

UCF watertight

WITH LOCKING COLLAR
(eccentric ring)



• **REINFORCED VERSION**
Close & open cap pag 26/27



• **SOLID VERSION**
Close & open cap pag 28/29

FIXING POINT



REINFORCED

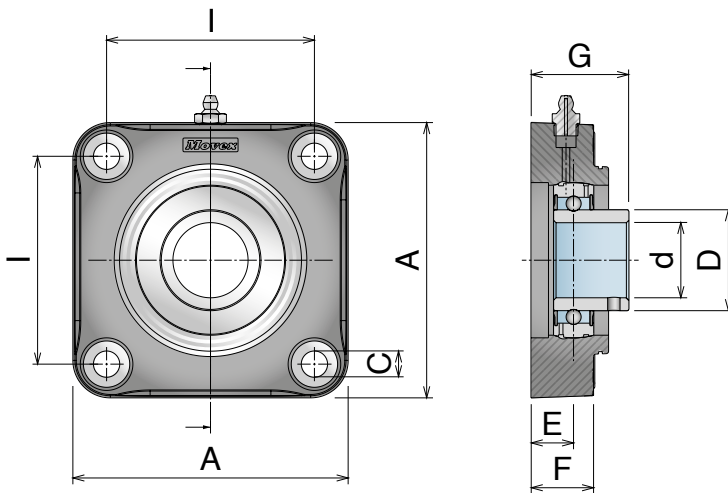


UCF GRUB SCREW

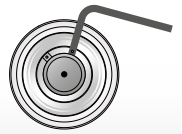
STANDARD BEARINGS - REINFORCED VERSION

Main features:

- Housing in reinforced polyamide
- Chrome steel or stainless steel ball bearing (pre-lubricated)
- Nickel-plated brass mounting hole spacers
- Nickel plated steel or SS grease nipple 1/8" GAS
- Stainless steel washers



FIXING METHOD



GRUB SCREW

Chrome Steel	Stainless Steel	For solid version see pag 19									Caps (Accessories)	
Article-Number	Series	d	I	A	C	D	E	F	G	Close	Open	
80701	80701SS	UCF 205	25	70	98	11	34	16	22	35,5	89001	89051-25
80702	80702SS	UCF 206	30	83	110	11	40,3	17	25	39	89002	89052-30
80703	80703SS	UCF 207/83	35	83	110	11	48	20	25	43,5	89003	89053-35
80713	80713SS	UCF 207		92	118	11	48	20	25	43,5	89003	89053-35
80704	80704SS	UCF 208/83	40	83	110	11	53	19,5	25	44,5	89003	89053-40
80714	80714SS	UCF 208		102	130	11	53	19	25	44	89003	89053-40

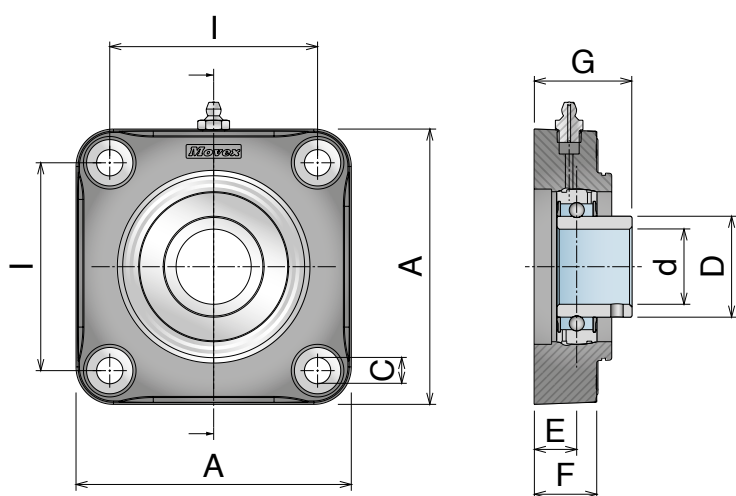
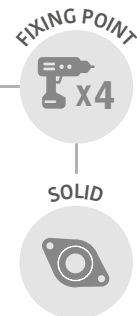
The **UCF standard bearings - reinforced version** are made in reinforced polyamide with high mechanical strength and great resistance against corrosive chemicals such as water, oils, petrol and liquids containing alcohol. Bearings are made in chrome steel or in stainless steel, with 2,5° adjustment. The grease nipple is made in nickel plated steel for chrome steel bearings and stainless steel for SS bearings. They can be used at temperature between 0°C and +80°C.

UCF GRUB SCREW

STANDARD BEARINGS - SOLID VERSION

Main features:

- Housing in reinforced polypropylene
- Chrome steel or stainless steel ball bearing (pre-lubricated)
- Nickel-plated brass mounting hole spacers
- Nickel plated steel or SS grease nipple 1/8" GAS
- Stainless steel washers



FIXING METHOD



GRUB SCREW

Chrome Steel	Stainless Steel										Caps (Accessories)	
Article-Number	Series	d	I	A	C	D	E	F	G	Close	Open	
82801	82801SS	UCF 205	25	70	98	11	34	16	22	35,5	89001	89051-25
82802	82802SS	UCF 206	30	83	110	11	40,3	17	25	39	89002	89052-30
82813	82813SS	UCF 207	35	92	118	11	48	20	25	43,5	89003	89053-35
82804	82804SS	UCF 208/83	40	83	110	11	53	19,5	25	44,5	89003	89053-40

The **UCF standard bearings - solid version** are made in reinforced polypropylene with good mechanical strength and excellent resistance against corrosive chemicals such as water, oils, petrol and liquids containing alcohol. Inside the housing, the bearings are made in chrome steel or in stainless steel. The grease nipple is made in nickel plated steel for chrome steel bearings and stainless steel for SS bearings. They can be used at temperature between 0°C and +80°C.

FIXING POINT



REINFORCED



WITH CLOSE CAP

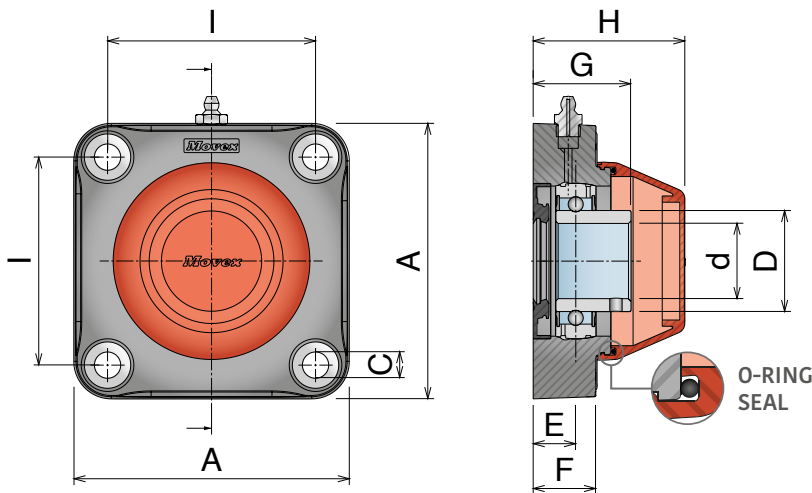


UCF GRUB SCREW

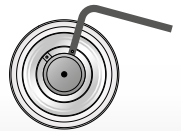
WATERTIGHT BEARINGS - REINFORCED VERSION

Main features:

- Housing in reinforced polyamide
- Chrome steel or stainless steel ball bearing (pre-lubricated)
- Nickel-plated brass mounting hole spacers
- Nickel plated steel or SS grease nipple 1/8" GAS (No for "Long life")
- Polypropylene closed cap with O-ring seal
- Stainless steel washers
- NBR bottom seal



FIXING METHOD



GRUB SCREW

Chrome Steel	Chrome Steel "Long life"	Stainless Steel	For open version see pag 21									
Article-Number			Series	d	I	A	C	D	E	F	G	H
80901	80901L	80901SS	UCF 205	25	70	98	11	34	16	22	35,5	51,5
80902	80902L	80902SS	UCF 206	30	83	110	11	40,3	17	25	39	60,5
80903	80903L	80903SS	UCF 207/83	35	83	110	11	48	20	25	43,5	65,5
80913	80913L	80913SS	UCF 207		92	118	11	48	20	25	43,5	65,5
80904	80904L	80904SS	UCF 208/83	40	83	110	11	53	19,5	25	44,5	65,5
80914	80914L	80914SS	UCF 208		102	130	11	53	19	25	44	65,5

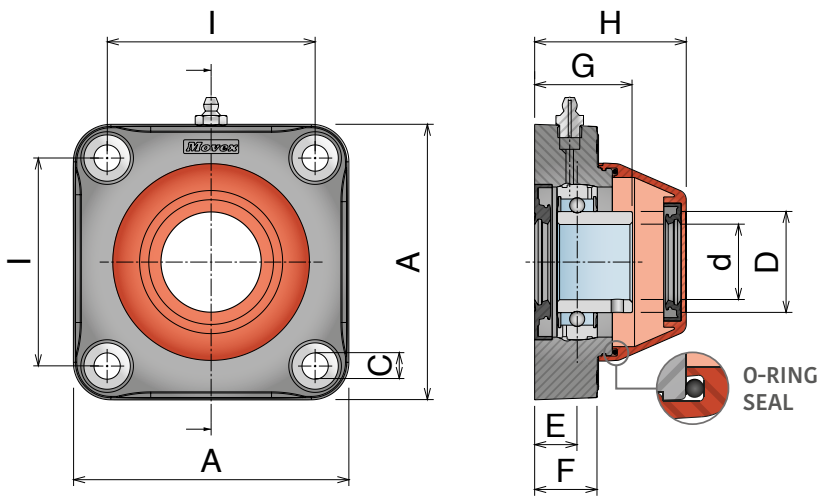
The **UCF watertight bearings - reinforced version** are made in reinforced polyamide with high mechanical strength and great resistance against corrosive chemicals such as water, oils, petrol and liquids containing alcohol. The bearing has a watertight PP cover for sealing, preventing dirt and bacteria from penetrating and increasing the life of the insert. Bearings are made in chrome steel or in stainless steel, with 2,5° adjustment. The grease nipple is made in nickel plated steel for chrome steel bearings and stainless steel for SS bearings, not available for the "Long life" version (without hole).

UCF GRUB SCREW

WATERTIGHT BEARINGS - REINFORCED VERSION

Main features:

- Housing in reinforced polyamide
- Chrome steel or stainless steel ball bearing (pre-lubricated)
- Nickel-plated brass mounting hole spacers
- Nickel plated steel or SS grease nipple 1/8" GAS (No for "Long life")
- Polypropylene open cap with O-ring seal & NBR top seal
- Stainless steel washers
- NBR bottom seal



Chrome Steel	Chrome Steel "Long life"	Stainless Steel											
Article-Number			Series	d	I	A	C	D	E	F	G	H	
81001	81001L	81001SS	UCF 205	25	70	98	11	34	16	22	35,5	51,5	
81002	81002L	81002SS	UCF 206	30	83	110	11	40,3	17	25	39	60,5	
81003	81003L	81003SS	UCF 207/83	35	83	110	11	48	20	25	43,5	65,5	
81013	81013L	81013SS	UCF 207		92	118	11	48	20	25	43,5	65,5	
81004	81004L	81004SS	UCF 208/83	40	83	110	11	53	19,5	25	44,5	65,5	
81014	81014L	81014SS	UCF 208		102	130	11	53	19	25	44	65,5	

The **UCF watertight bearings - reinforced version** are made in reinforced polyamide with high mechanical strength and great resistance against corrosive chemicals such as water, oils, petrol and liquids containing alcohol. The bearing has a watertight PP cover for sealing, preventing dirt and bacteria from penetrating and increasing the life of the insert. Bearings are made in chrome steel or in stainless steel, with 2,5° adjustment. The grease nipple is made in nickel plated steel for chrome steel bearings and stainless steel for SS bearings, not available for the "Long life" version (without hole).

FIXING POINT



SOLID



WITH CLOSE CAP

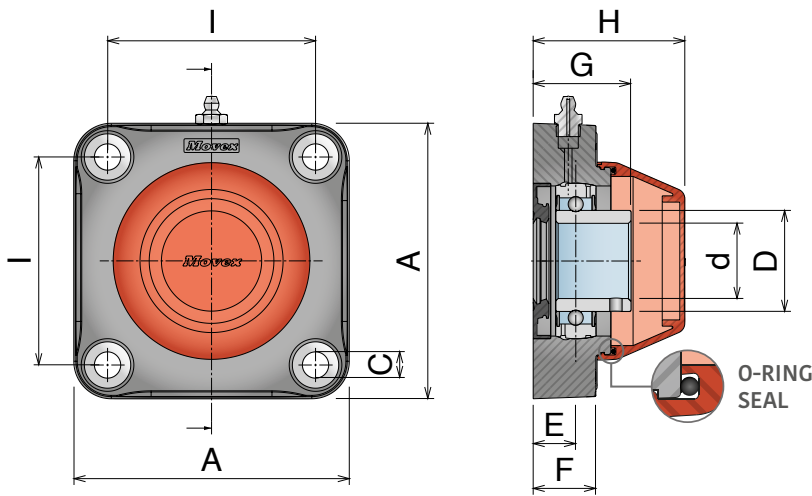


UCF GRUB SCREW

WATERTIGHT BEARINGS - SOLID VERSION

Main features:

- Housing in reinforced polypropylene
- Chrome steel or stainless steel ball bearing (pre-lubricated)
- Nickel-plated brass mounting hole spacers
- Nickel plated steel or SS grease nipple 1/8" GAS (No for "Long life")
- Polypropylene closed cap with O-ring seal
- Stainless steel washers
- NBR bottom seal



FIXING METHOD



GRUB SCREW

Chrome Steel	Chrome Steel "Long life"	Stainless Steel	For open version see pag 23									
Article-Number			Series	d	I	A	C	D	E	F	G	H
83001	83001L	83001SS	UCF 205	25	70	98	11	34	16	22	35,5	51,5
83002	83002L	83002SS	UCF 206	30	83	110	11	40,3	17	25	39	60,5
83013	83013L	83013SS	UCF 207	35	92	118	11	48	20	25	43,5	65,5
83004	83004L	83004SS	UCF 208/83	40	83	110	11	53	19,5	25	44,5	65,5

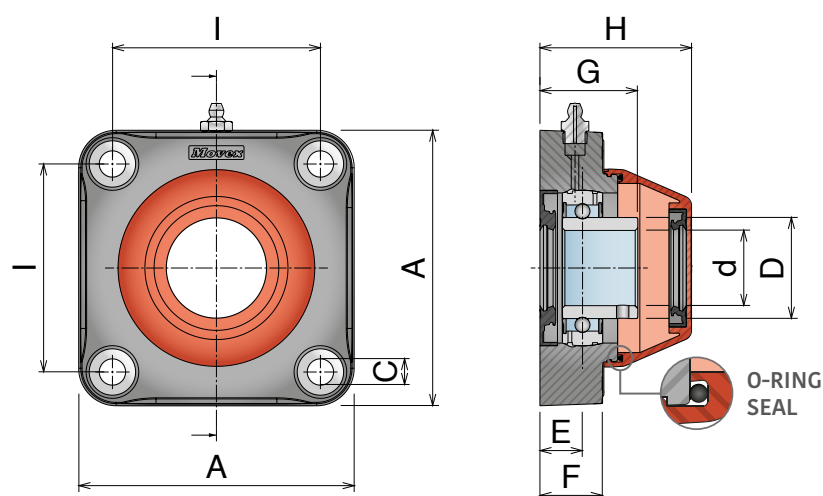
The **UCF watertight bearings - solid version** are made in reinforced polypropylene with good mechanical strength and excellent resistance against corrosive chemicals such as water, oils, petrol and liquids containing alcohol. The bearing has a watertight PP cover for sealing, preventing dirt and bacteria from penetrating and increasing the life of the insert. Bearings are made in chrome steel or in stainless steel, with 2,5° adjustment. The grease nipple is made in nickel plated steel for chrome steel bearings and stainless steel for SS bearings, not available for the "Long life" version (without hole).

UCF GRUB SCREW

WATERTIGHT BEARINGS - SOLID VERSION

Main features:

- Housing in reinforced polypropylene
- Chrome steel or stainless steel ball bearing (pre-lubricated)
- Nickel-plated brass mounting hole spacers
- Nickel plated steel or SS grease nipple 1/8" GAS (No for "Long life")
- Polypropylene open cap with O-ring seal & NBR top seal
- Stainless steel washers
- NBR bottom seal



FIXING METHOD



GRUB SCREW

Chrome Steel	Chrome Steel "Long life"	Stainless Steel											
Article-Number			Series	d	I	A	C	D	E	F	G	H	
83101	83101L	83101SS	UCF 205	25	70	98	11	34	16	22	35,5	51,5	
83102	83102L	83102SS	UCF 206	30	83	110	11	40,3	17	25	39	60,5	
83113	83113L	83113SS	UCF 207	35	92	118	11	48	20	25	43,5	65,5	
83104	83104L	83104SS	UCF 208/83	40	83	110	11	53	19,5	25	44,5	65,5	

The **UCF watertight bearings - solid version** are made in reinforced polypropylene with good mechanical strength and excellent resistance against corrosive chemicals such as water, oils, petrol and liquids containing alcohol. The bearing has a watertight PP cover for sealing, preventing dirt and bacteria from penetrating and increasing the life of the insert. Bearings are made in chrome steel or in stainless steel, with 2,5° adjustment. The grease nipple is made in nickel plated steel for chrome steel bearings and stainless steel for SS bearings, not available for the "Long life" version (without hole).

FIXING POINT



REINFORCED

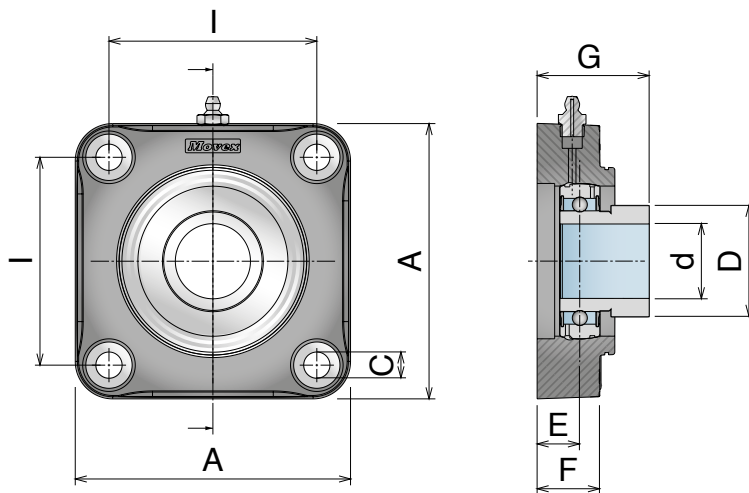


UCF LOCKING COLLAR

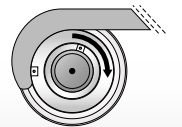
STANDARD BEARINGS - REINFORCED VERSION

Main features:

- Housing in reinforced polyamide
- Chrome steel ball bearing (pre-lubricated)
- Nickel-plated brass mounting hole spacers
- Nickel plated steel grease nipple 1/8" GAS
- Stainless steel washers



FIXING METHOD
(ECCENTRIC RING)



LOCKING COLLAR

Chrome Steel		For solid version see pag 25								Caps (Accessories)	
Article-Number	Series	d	I	A	C	D	E	F	G	Close	Open
80801	UCF 205	25	70	98	11	38,1	16	22	39,4	89001	89051-25
80802	UCF 206	30	83	110	11	44,5	17	25	44,7	89002	89052-30
80803	UCF 207/83	35	83	110	11	55,6	20	25	50,4	89003	89053-35
80813	UCF 207		92	118	11	55,6	20	25	50,4	89003	89053-35
80804	UCF 208/83	40	83	110	11	60,3	19,5	25	54,2	89003	89053-40
80814	UCF 208		102	130	11	60,3	19	25	53,7	89003	89053-40

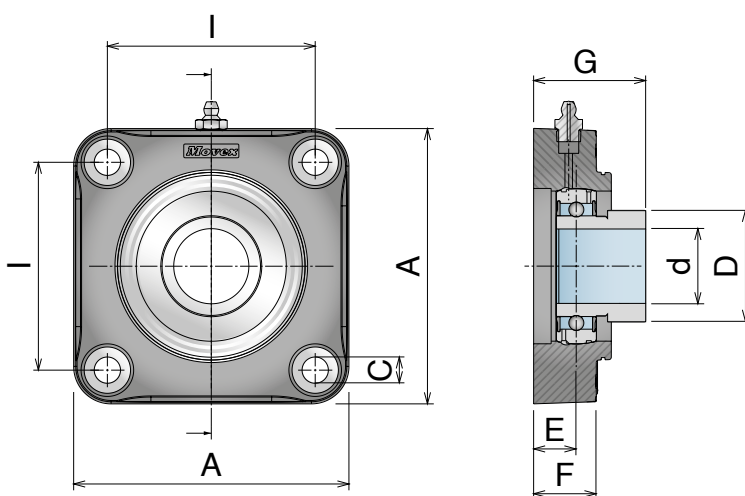
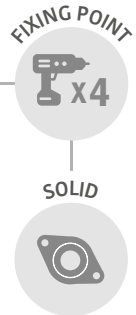
The **UCF standard bearings - reinforced version** are made in reinforced polyamide with high mechanical strength and great resistance against corrosive chemicals such as water, oils, petrol and liquids containing alcohol. Bearings are made in chrome steel, with 2,5° adjustment. The bearings inside the flange can be adjusted by 2.5° and the grease nipple is made in nickel-plated steel. They can be used at temperature between 0°C and +80°C.

UCF LOCKING COLLAR

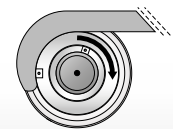
STANDARD BEARINGS - SOLID VERSION

Main features:

- Housing in reinforced polypropylene
- Chrome steel ball bearing (pre-lubricated)
- Nickel-plated brass mounting hole spacers
- Nickel plated steel grease nipple 1/8" GAS
- Stainless steel washers



FIXING METHOD
(ECCENTRIC RING)



LOCKING COLLAR

Chrome Steel										Caps (Accessories)	
Article-Number	Series	d	I	A	C	D	E	F	G	Close	Open
82901	UCF 205	25	70	98	11	38,1	16	22	39,4	89001	89051-25
82902	UCF 206	30	83	110	11	44,5	17	25	44,7	89002	89052-30
82913	UCF 207	35	92	118	11	55,6	20	25	50,4	89003	89053-35
82904	UCF 208/83	40	83	110	11	60,3	19,5	25	54,2	89003	89053-40

The **UCF standard bearings - solid version** are made in reinforced polypropylene with good mechanical strength and excellent resistance against corrosive chemicals such as water, oils, petrol and liquids containing alcohol. Bearings are made in chrome steel, with 2,5° adjustment. The bearings inside the flange can be adjusted by 2,5° and the grease nipple is made in nickel-plated steel. They can be used at temperature between 0°C and +80°C.

FIXING POINT



REINFORCED



WITH CLOSE CAP

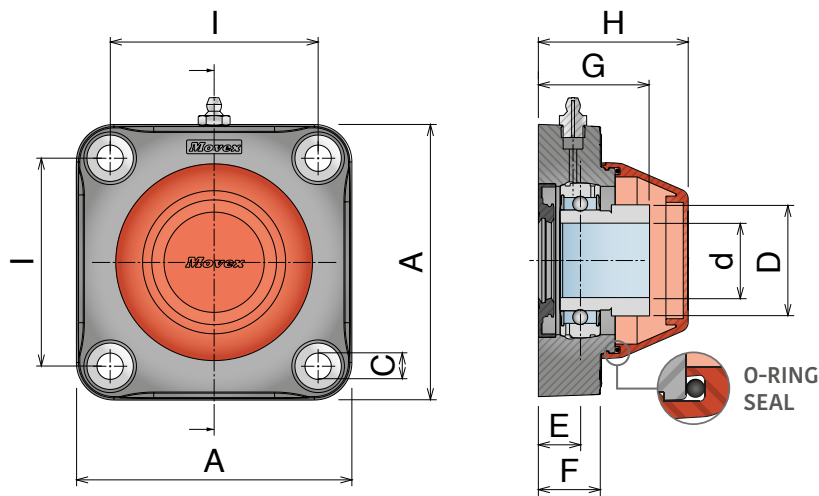


UCF LOCKING COLLAR

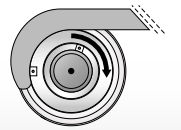
WATERTIGHT BEARINGS - REINFORCED VERSION

Main features:

- Housing in reinforced polyamide
- Chrome steel ball bearing (pre-lubricated)
- Nickel-plated brass mounting hole spacers
- Nickel plated steel grease nipple 1/8" GAS
- Polypropylene closed cap with O-ring seal
- Stainless steel washers
- NBR bottom seal



FIXING METHOD
(ECCENTRIC RING)



LOCKING COLLAR

Chrome Steel

For open version see pag 27

Article-Number	Series	d	I	A	C	D	E	F	G	H
81101	UCF 205	25	70	98	11	38,1	16	22	39,4	51,5
81102	UCF 206	30	83	110	11	44,5	17	25	44,7	60,5
81103	UCF 207/83	35	83	110	11	55,6	20	25	50,4	65,5
81113	UCF 207		92	118	11	55,6	20	25	50,4	65,5
81104	UCF 208/83	40	83	110	11	60,3	19,5	25	54,2	65,5
81114	UCF 208		102	130	11	60,3	19	25	53,7	65,5

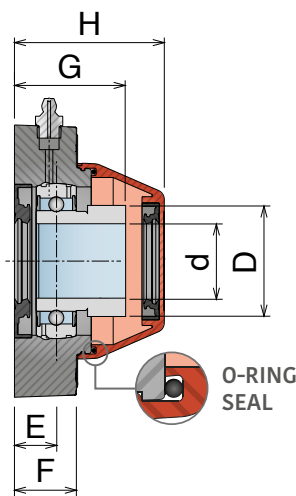
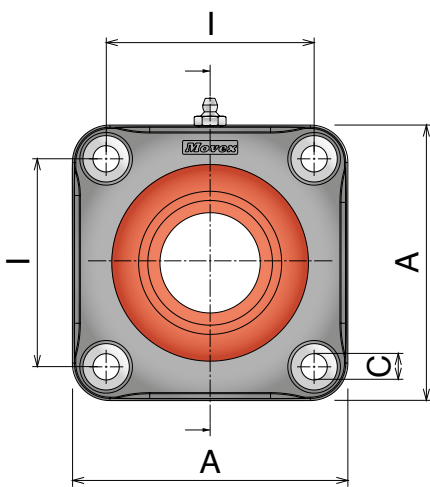
The **UCF watertight bearings - reinforced version** are made in reinforced polyamide with high mechanical strength and great resistance against corrosive chemicals such as water, oils, petrol and liquids containing alcohol. The bearing has a watertight PP cover for sealing, preventing dirt and bacteria from penetrating and increasing the life of the insert. Bearings are made in chrome steel, with 2,5° adjustment. They can be used at temperature between 0°C and +80°C.

UCF LOCKING COLLAR

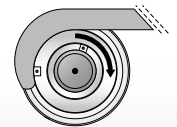
WATERTIGHT BEARINGS - REINFORCED VERSION

Main features:

- Housing in reinforced polyamide
- Chrome steel ball bearing (pre-lubricated)
- Nickel-plated brass mounting hole spacers
- Nickel plated steel grease nipple 1/8" GAS
- Polypropylene open cap with O-ring seal & NBR top seal
- Stainless steel washers
- NBR bottom seal



FIXING METHOD
(ECCENTRIC RING)



LOCKING COLLAR

Chrome Steel											
Article-Number	Series	d	I	A	C	D	E	F	G	H	
81201	UCF 205	25	70	98	11	38,1	16	22	39,4	51,5	
81202	UCF 206	30	83	110	11	44,5	17	25	44,7	60,5	
81203	UCF 207/83	35	83	110	11	55,6	20	25	50,4	65,5	
81213	UCF 207		92	118	11	55,6	20	25	50,4	65,5	
81204	UCF 208/83	40	83	110	11	60,3	19,5	25	54,2	65,5	
81214	UCF 208		102	130	11	60,3	19	25	53,7	65,5	

The **UCF watertight bearings - reinforced version** are made in reinforced polyamide with high mechanical strength and great resistance against corrosive chemicals such as water, oils, petrol and liquids containing alcohol. The bearing has a watertight PP cover for sealing, preventing dirt and bacteria from penetrating and increasing the life of the insert. Bearings are made in chrome steel, with 2,5° adjustment. They can be used at temperature between 0°C and +80°C.

FIXING POINT



SOLID



WITH CLOSE CAP

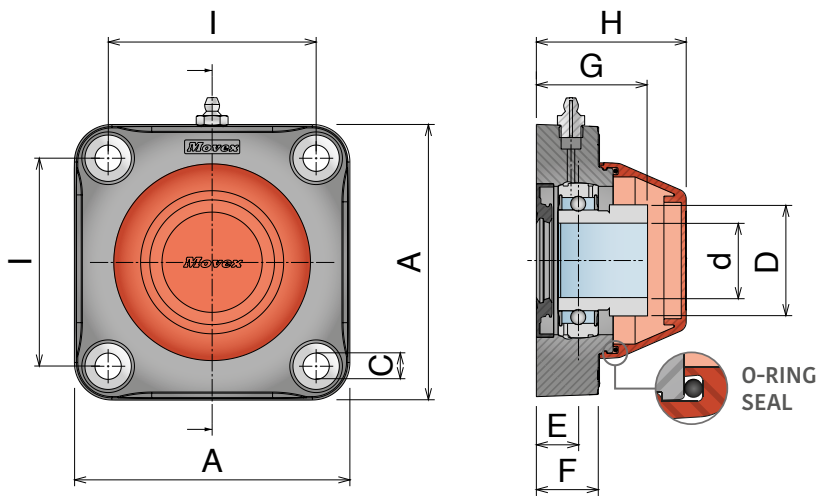


UCF LOCKING COLLAR

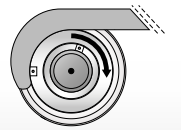
WATERTIGHT BEARINGS - SOLID VERSION

Main features:

- Housing in reinforced polypropylene
- Chrome steel ball bearing (pre-lubricated)
- Nickel-plated brass mounting hole spacers
- Nickel plated steel grease nipple 1/8" GAS
- Polypropylene closed cap with O-ring seal
- Stainless steel washers
- NBR bottom seal



FIXING METHOD
(ECCENTRIC RING)



LOCKING COLLAR

Chrome Steel

For open version see pag 29

Article-Number	Series	d	I	A	C	D	E	F	G	H
83201	UCF 205	25	70	98	11	38,1	16	22	39,4	51,5
83202	UCF 206	30	83	110	11	44,5	17	25	44,7	60,5
83213	UCF 207	35	92	118	11	55,6	20	25	50,4	65,5
83204	UCF 208/83	40	83	110	11	60,3	19,5	25	54,2	65,5

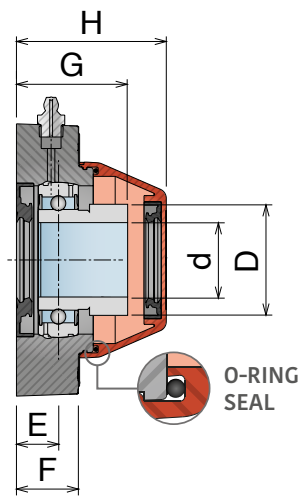
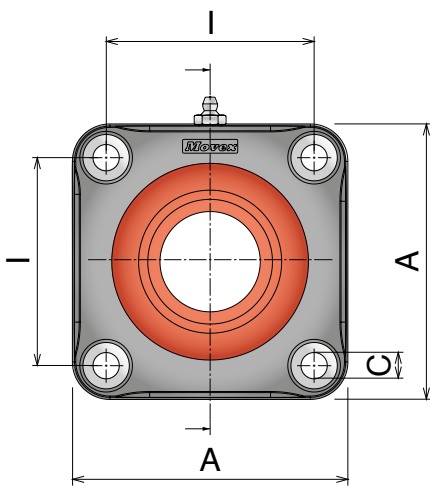
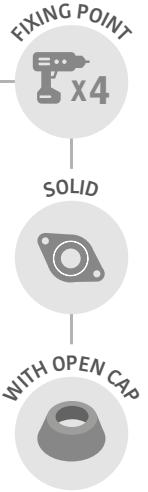
The **UCF watertight bearings - solid version** are made in reinforced polypropylene with good mechanical strength and excellent resistance against corrosive chemicals such as water, oils, petrol and liquids containing alcohol. The bearing has a watertight PP cover for sealing, preventing dirt and bacteria from penetrating and increasing the life of the insert. Bearings are made in chrome steel, with 2,5° adjustment. They can be used at temperature between 0°C and +80°C.

UCF LOCKING COLLAR

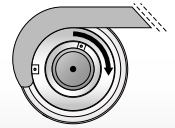
WATERTIGHT BEARINGS - SOLID VERSION

Main features:

- Housing in reinforced polypropylene
- Chrome steel ball bearing (pre-lubricated)
- Nickel-plated brass mounting hole spacers
- Nickel plated steel grease nipple 1/8" GAS
- Polypropylene open cap with O-ring seal & NBR top seal
- Stainless steel washers
- NBR bottom seal



FIXING METHOD
(ECCENTRIC RING)



LOCKING COLLAR

Chrome Steel											
Article-Number	Series	d	I	A	C	D	E	F	G	H	
83301	UCF 205	25	70	98	11	38,1	16	22	39,4	51,5	
83302	UCF 206	30	83	110	11	44,5	17	25	44,7	60,5	
83313	UCF 207	35	92	118	11	55,6	20	25	50,4	65,5	
83304	UCF 208/83	40	83	110	11	60,3	19,5	25	54,2	65,5	

The **UCF watertight bearings - solid version** are made in reinforced polypropylene with good mechanical strength and excellent resistance against corrosive chemicals such as water, oils, petrol and liquids containing alcohol. The bearing has a watertight PP cover for sealing, preventing dirt and bacteria from penetrating and increasing the life of the insert. Bearings are made in chrome steel, with 2,5° adjustment. They can be used at temperature between 0°C and +80°C.

UCFA standard

WITH GRUB SCREW



- **SOLID VERSION**
Pag 31

UCFA watertight

WITH GRUB SCREW



- **SOLID VERSION**
Close cap pag 32
- **SOLID VERSION**
Open cap pag 33

UCFA standard

WITH LOCKING COLLAR
(eccentric ring)



- **SOLID VERSION**
Pag 34

UCFA watertight

WITH LOCKING COLLAR
(eccentric ring)



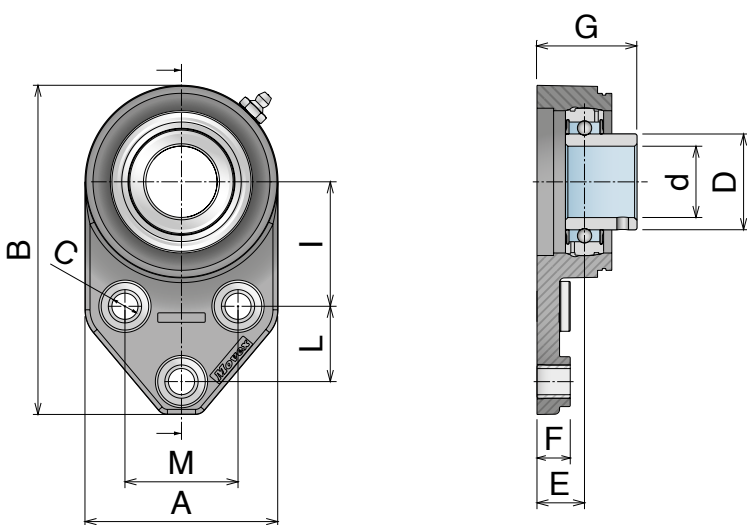
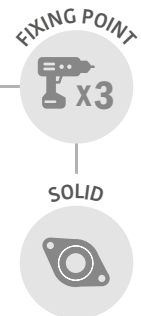
- **SOLID VERSION**
Close cap pag 35
- **SOLID VERSION**
Open cap pag 36

UCFA GRUB SCREW

STANDARD BEARINGS - SOLID VERSION

Main features:

- Housing in reinforced polyamide
- Chrome steel or stainless steel ball bearing (pre-lubricated)
- Nickel-plated brass mounting hole spacers
- Nickel plated steel or SS grease nipple 1/8" GAS
- Stainless steel washers



FIXING METHOD



GRUB SCREW

Chrome Steel		Stainless Steel												Caps (Accessories)	
Article-Number	Series	d	I	A	B	C	D	E	F	G	L	M	Close	Open	
83400	83400SS	UCFA 204	20	46	68,8	124,2	11	29	16,4	14	34,4	28,6	41,3	89001	89051-20
83401	83401SS	UCFA 205	25	46	68,8	124,2	11	34	17,8	14	37,3	28,6	41,3	89001	89051-25
83402	83402SS	UCFA 206	30	52,4	81,3	138,6	11	40,3	20	14	42	31,7	47,6	89002	89052-30

The **UCFA standard bearings - solid version** are made in reinforced polypropylene with good mechanical strength and excellent resistance against corrosive chemicals such as water, oils, petrol and liquids containing alcohol. Inside the housing, the bearings are made in chrome steel or in stainless steel. The grease nipple is made in nickel plated steel for chrome steel bearings and stainless steel for SS bearings. They can be used at temperature between 0°C and +80°C.

FIXING POINT



SOLID



WITH CLOSE CAP

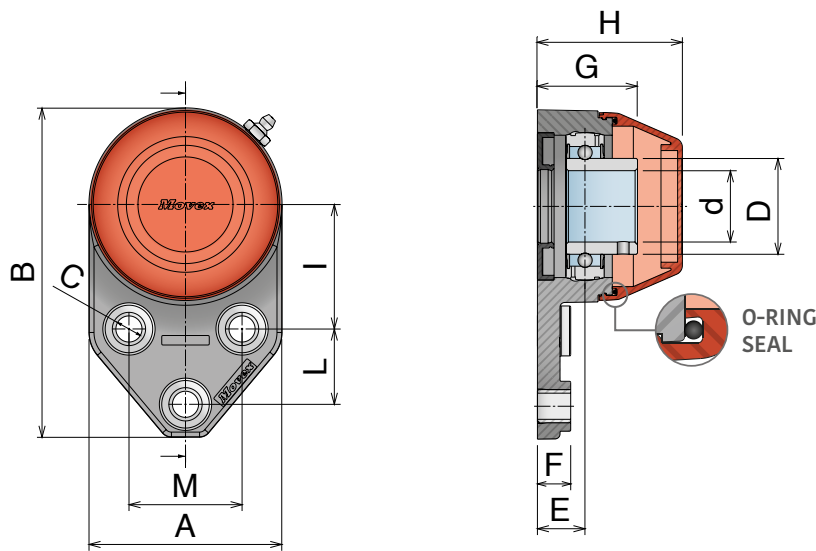


UCFA GRUB SCREW

WATERTIGHT BEARINGS - SOLID VERSION

Main features:

- Housing in reinforced polypropylene
- Chrome steel or stainless steel ball bearing (pre-lubricated)
- Nickel-plated brass mounting hole spacers
- Nickel plated steel or SS grease nipple 1/8" GAS (No for "Long life")
- Polypropylene close cap with O-ring seal
- Stainless steel washers
- NBR bottom seal



FIXING METHOD



GRUB SCREW

Chrome Steel	Chrome Steel "Long life"	Stainless Steel	For open version see pag 33												
Article-Number			Series	d	I	A	B	C	D	E	F	G	H	L	M
83600	83600L	83600SS	UCFA 204	20	46	68,8	124,2	11	29	16,4	14	34,4	51,8	28,6	41,3
83601	83601L	83601SS	UCFA 205	25	46	68,8	124,2	11	34	17,8	14	37,3	51,8	28,6	41,3
83602	83602L	83602SS	UCFA 206	30	52,4	81,3	138,6	11	40,3	20	14	42	61	31,7	47,6

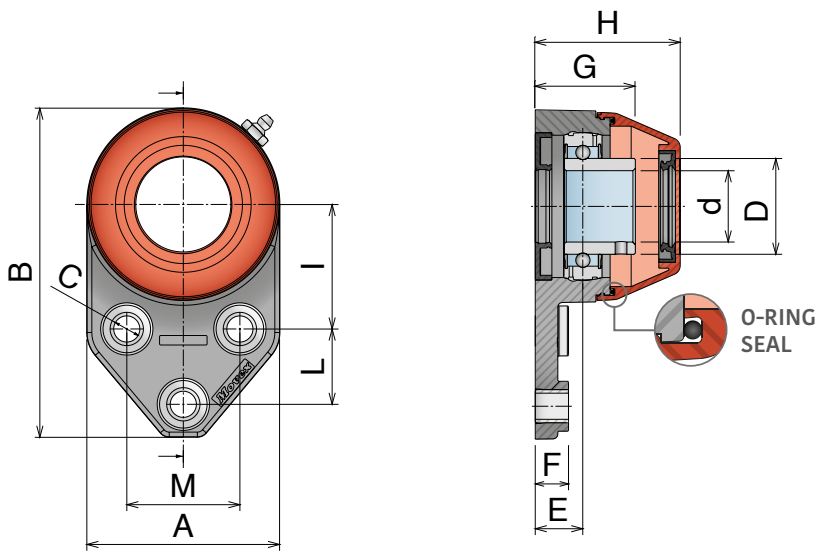
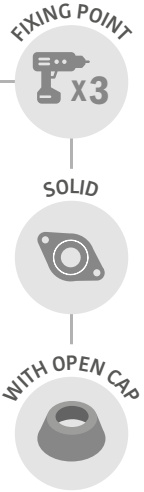
The **UCFA watertight bearings - solid version** are made in reinforced polypropylene with good mechanical strength and excellent resistance against corrosive chemicals such as water, oils, petrol and liquids containing alcohol. The bearing has a watertight PP cover for sealing, preventing dirt and bacteria from penetrating and increasing the life of the insert. Bearings are made in chrome steel or in stainless steel, with 2,5° adjustment. The grease nipple is made in nickel plated steel for chrome steel bearings and stainless steel for SS bearings, not available for the "Long life" version (without hole).

UCFA GRUB SCREW

WATERTIGHT BEARINGS - SOLID VERSION

Main features:

- Housing in reinforced polyamide
- Chrome steel or stainless steel ball bearing (pre-lubricated)
- Nickel-plated brass mounting hole spacers
- Nickel plated steel or SS grease nipple 1/8" GAS (No for "Long life")
- Polypropylene open cap with O-ring seal & NBR top seal
- Stainless steel washers
- NBR bottom seal



Chrome Steel	Chrome Steel "Long life"	Stainless Steel	Article-Number	Series	d	I	A	B	C	D	E	F	G	H	L	M
	83700L	83700SS	UCFA 204	20	46	68,8	124,2	11	29	16,4	14	34,4	51,8	28,6	41,3	
83701	83701L	83701SS	UCFA 205	25	46	68,8	124,2	11	34	17,8	14	37,3	51,8	28,6	41,3	
83702	83702L	83702SS	UCFA 206	30	52,4	81,3	138,6	11	40,3	20	14	42	61	31,7	47,6	

The **UCFA watertight bearings - solid version** are made in reinforced polypropylene with good mechanical strength and excellent resistance against corrosive chemicals such as water, oils, petrol and liquids containing alcohol. The bearing has a watertight PP cover for sealing, preventing dirt and bacteria from penetrating and increasing the life of the insert. Bearings are made in chrome steel or in stainless steel, with 2,5° adjustment. The grease nipple is made in nickel plated steel for chrome steel bearings and stainless steel for SS bearings, not available for the "Long life" version (without hole).

FIXING POINT



SOLID

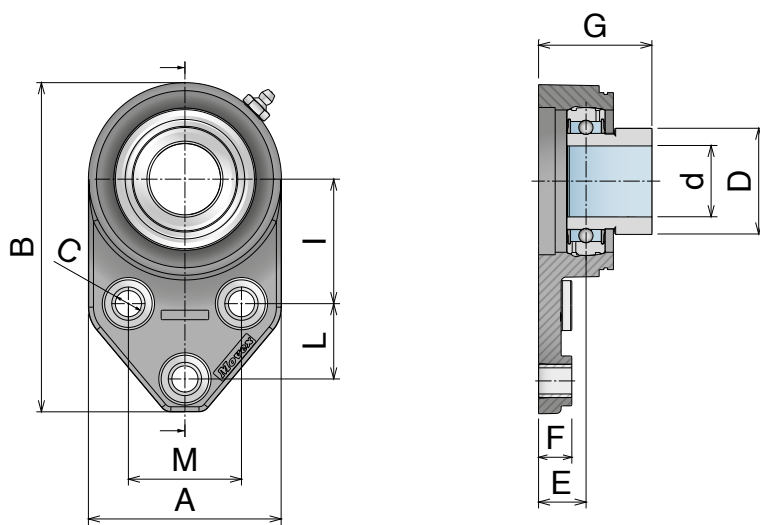


UCFA LOCKING COLLAR

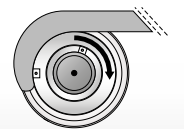
STANDARD BEARINGS - SOLID VERSION

Main features:

- Housing in reinforced polypropylene
- Chrome steel ball bearing (pre-lubricated)
- Nickel-plated brass mounting hole spacers
- Nickel plated steel grease nipple 1/8" GAS
- Stainless steel washers



FIXING METHOD
(ECCENTRIC RING)



LOCKING COLLAR

Chrome Steel													Caps (Accessories)	
Article-Number	Series	d	I	A	B	C	D	E	F	G	L	M	Close	Open
83500	UCFA 204	20	46	68,8	124,2	11	33,3	16,4	14	40,3	28,6	41,3	89001	89051-20
83501	UCFA 205	25	46	68,8	124,2	11	38,1	17,8	14	41,2	28,6	41,3	89001	89051-25
83502	UCFA 206	30	52,4	81,3	138,6	11	44,5	20	14	47,7	31,7	47,6	89002	89052-30

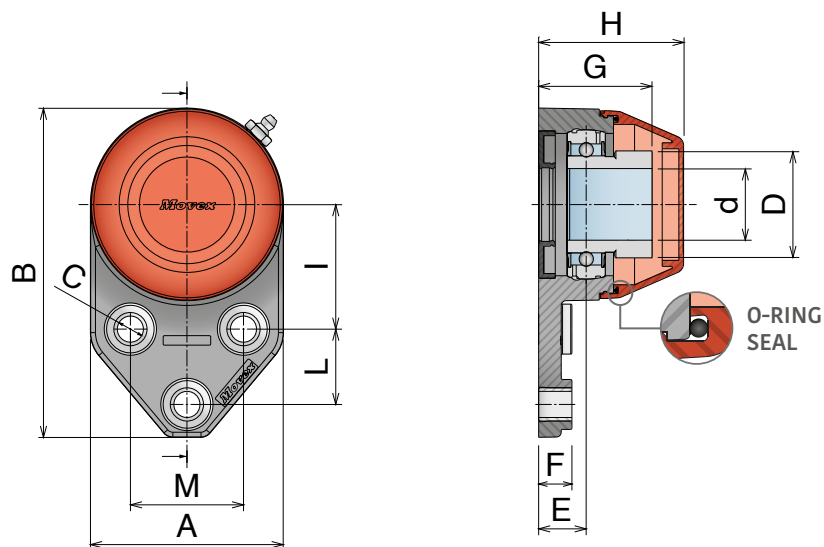
The **UCFA standard bearings - solid version** are made in reinforced polypropylene with good mechanical strength and excellent resistance against corrosive chemicals such as water, oils, petrol and liquids containing alcohol. Bearings are made in chrome steel, with 2,5° adjustment. The bearings inside the flange can be adjusted by 2.5° and the grease nipple is made in nickel-plated steel. They can be used at temperature between 0°C and +80°C.

UCFA LOCKING COLLAR

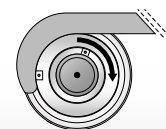
WATERTIGHT BEARINGS - SOLID VERSION

Main features:

- Housing in reinforced polypropylene
- Chrome steel ball bearing (pre-lubricated)
- Nickel-plated brass mounting hole spacers
- Nickel plated steel grease nipple 1/8" GAS
- Polypropylene closed cap with O-ring seal
- Stainless steel washers
- NBR bottom seal



FIXING METHOD
(ECCENTRIC RING)



LOCKING COLLAR

Chrome Steel

For open version see pag 36

Article-Number	Series	d	I	A	B	C	D	E	F	G	H	L	M
83800	UCFA 204	20	46	68,8	124,2	11	33,3	16,4	14	40,3	51,8	28,6	41,3
83801	UCFA 205	25	46	68,8	124,2	11	38,1	17,8	14	41,2	51,8	28,6	41,3
83802	UCFA 206	30	52,4	81,3	138,6	11	44,5	20	14	47,7	61	31,7	47,6

The **UCFA watertight bearings - solid version** are made in reinforced polypropylene with good mechanical strength and excellent resistance against corrosive chemicals such as water, oils, petrol and liquids containing alcohol. The bearing has a watertight PP cover for sealing, preventing dirt and bacteria from penetrating and increasing the life of the insert. Bearings are made in chrome steel, with 2,5° adjustment. They can be used at temperature between 0°C and +80°C.

FIXING POINT



SOLID



WITH OPEN CAP

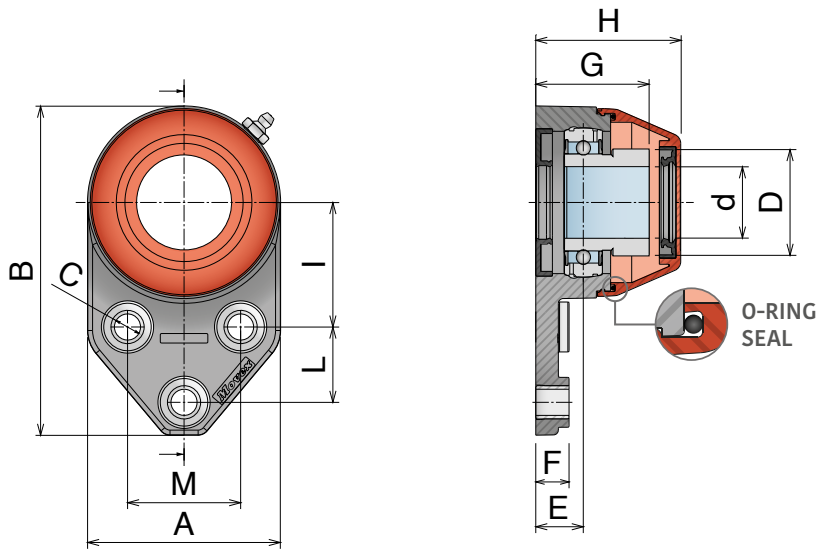


UCFA LOCKING COLLAR

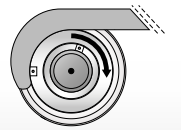
WATERTIGHT BEARINGS - SOLID VERSION

Main features:

- Housing in reinforced polypropylene
- Chrome steel ball bearing (pre-lubricated)
- Nickel-plated brass mounting hole spacers
- Nickel plated steel grease nipple 1/8" GAS
- Polypropylene open cap with O-ring seal & NBR top seal
- Stainless steel washers
- NBR bottom seal



FIXING METHOD
(ECCENTRIC RING)



LOCKING COLLAR

Chrome Steel

Article-Number	Series	d	I	A	B	C	D	E	F	G	H	L	M
83900	UCFA 204	20	46	68,8	124,2	11	33,3	16,4	14	40,3	51,8	28,6	41,3
83901	UCFA 205	25	46	68,8	124,2	11	38,1	17,8	14	41,2	51,8	28,6	41,3
83902	UCFA 206	30	52,4	81,3	138,6	11	44,5	20	14	47,7	61	31,7	47,6

The **UCFA watertight bearings - solid version** are made in reinforced polypropylene with good mechanical strength and excellent resistance against corrosive chemicals such as water, oils, petrol and liquids containing alcohol. The bearing has a watertight PP cover for sealing, preventing dirt and bacteria from penetrating and increasing the life of the insert. Bearings are made in chrome steel, with 2,5° adjustment. They can be used at temperature between 0°C and +80°C.

UCFL-H series

Delivery: **Easy**
Standard

UCFL-H watertight

WITH GRUB SCREW



- **SOLID VERSION**
Close cap pag 38



- **SOLID VERSION**
Open cap pag 39

UCFL-H watertight

WITH LOCKING COLLAR
(eccentric ring)



- **SOLID VERSION**
Close cap pag 40



- **SOLID VERSION**
Open cap pag 41

UCF-H series

UCF-H watertight

WITH GRUB SCREW



- **SOLID VERSION**
Close cap pag 42



- **SOLID VERSION**
Open cap pag 43

UCF-H watertight

WITH LOCKING COLLAR
(eccentric ring)



- **SOLID VERSION**
Close cap pag 44



- **SOLID VERSION**
Close cap pag 45

FIXING POINT



SOLID



WITH CLOSE CAP

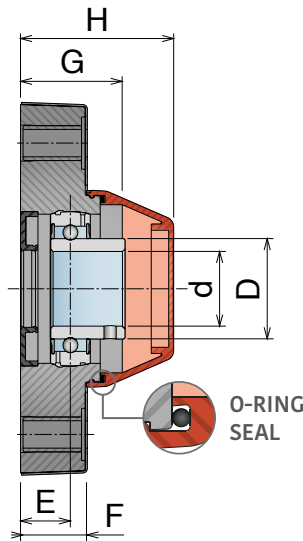
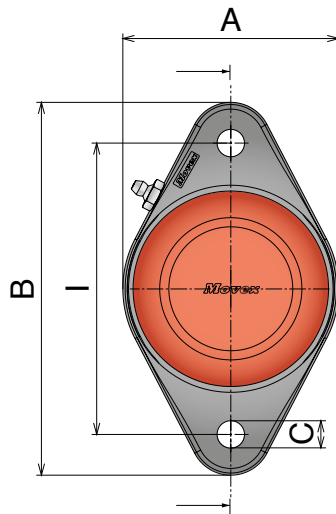


UCFL-H GRUB SCREW

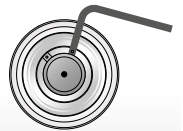
WATERTIGHT BEARINGS - SOLID VERSION

Main features:

- Housing in reinforced polypropylene & cover in SS
- Chrome steel or stainless steel ball bearing (pre-lubricated)
- Nickel-plated brass mounting hole spacers
- Nickel plated steel or SS grease nipple 1/8" GAS (No for "Long life")
- Polypropylene close cap with O-ring seal
- NBR bottom seal



FIXING METHOD



GRUB SCREW

Chrome Steel	Chrome Steel "Long life"											
Article-Number		Series	d	I	A	B	C	D	E	F	G	H
82412H	82412LH	UCFL-H 206	30	117	86,7	149,7	11	40,3	20	26,85	42	61,5
82403H	82403LH	UCFL-H 207/117	35	117	94,7	149,7	11	48	19,5	26	43	66,5
82404H	82404LH	UCFL-H 208/117	40	117	94,7	149,7	11	53	19	26,85	44	67

For open version see pag 39

The **UCFL-H watertight bearings - solid version** are made in reinforced polypropylene and stainless steel cover with high mechanical strength and excellent resistance against corrosive chemicals such as water, oils, petrol and liquids containing alcohol. The bearing has a watertight PP cover for sealing, preventing dirt and bacteria from penetrating and increasing the life of the insert. Bearings are made in chrome steel, with 2,5° adjustment. They can be used at temperature between 0°C and +80°C.

UCFL-H GRUB SCREW

WATERTIGHT BEARINGS - SOLID VERSION

Main features:

- Housing in reinforced polypropylene & cover in SS
- Chrome steel or stainless steel ball bearing (pre-lubricated)
- Nickel-plated brass mounting hole spacers
- Nickel plated steel or SS grease nipple 1/8" GAS (No for "Long life")
- Polypropylene open cap with O-ring seal & NBR top seal
- NBR bottom seal



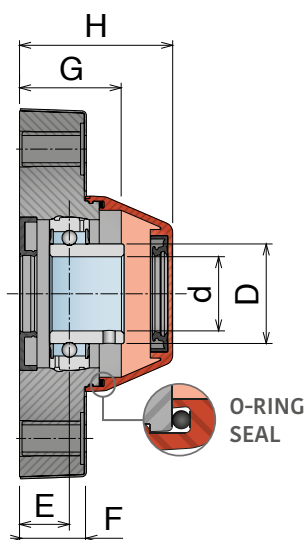
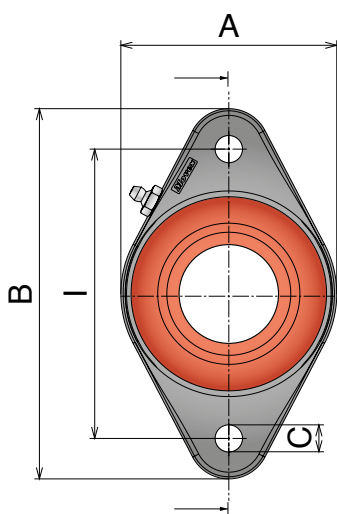
FIXING POINT



SOLID



WITH OPEN CAP



FIXING METHOD



GRUB SCREW

Chrome Steel		Chrome Steel "Long life"		Series	d	I	A	B	C	D	E	F	G	H
Article-Number	Article-Number													
82512H	82512LH	UCFL-H 206	30	117	86,7	149,7	11	40,3	20	26,85	42	61,5		
82503H	82503LH	UCFL-H 207/117	35	117	94,7	149,7	11	48	19,5	26	43	66,5		
82504H	82504LH	UCFL-H 208/117	40	117	94,7	149,7	11	53	19	26,85	44	67		

The **UCFL-H watertight bearings - solid version** are made in reinforced polypropylene and stainless steel cover with high mechanical strength and excellent resistance against corrosive chemicals such as water, oils, petrol and liquids containing alcohol. The bearing has a watertight PP cover for sealing, preventing dirt and bacteria from penetrating and increasing the life of the insert. Bearings are made in chrome steel, with 2,5° adjustment. They can be used at temperature between 0°C and +80°C.

FIXING POINT



SOLID



WITH CLOSE CAP

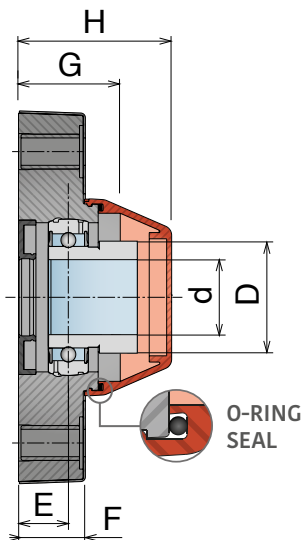
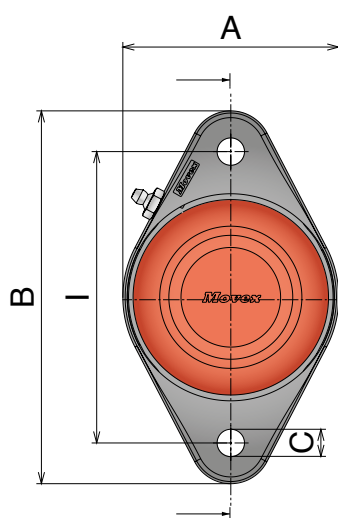


UCFL-H LOCKING COLLAR

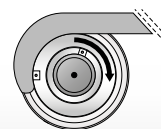
WATERTIGHT BEARINGS - SOLID VERSION

Main features:

- Housing in reinforced polypropylene & cover in SS
- Chrome steel ball bearing (pre-lubricated)
- Nickel-plated brass mounting hole spacers
- Nickel plated steel grease nipple 1/8" GAS
- Polypropylene close cap with O-ring seal
- NBR bottom seal



FIXING METHOD
(ECCENTRIC RING)



LOCKING COLLAR

Chrome Steel

For open version see pag 41

Article-Number	Series	d	I	A	B	C	D	E	F	G	H
82612H	UCFL-H 206	30	117	86,7	149,7	11	40,3	20	26,85	42	61,5
82603H	UCFL-H 207/117	35	117	94,7	149,7	11	48	19,5	26	43	66,5
82604H	UCFL-H 208/117	40	117	94,7	149,7	11	53	19	26,85	44	67

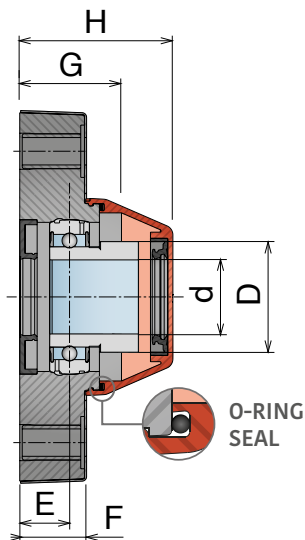
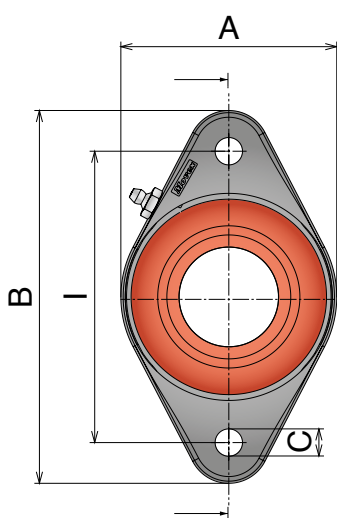
The **UCFL-H watertight bearings - solid version** are made in reinforced polypropylene and stainless steel cover with high mechanical strength and excellent resistance against corrosive chemicals such as water, oils, petrol and liquids containing alcohol. The bearing has a watertight PP cover for sealing, preventing dirt and bacteria from penetrating and increasing the life of the insert. Bearings are made in chrome steel, with 2,5° adjustment. They can be used at temperature between 0°C and +80°C.

UCFL-H LOCKING COLLAR

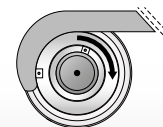
WATERTIGHT BEARINGS - SOLID VERSION

Main features:

- Housing in reinforced polypropylene & cover in SS
- Chrome steel ball bearing (pre-lubricated)
- Nickel-plated brass mounting hole spacers
- Nickel plated steel grease nipple 1/8" GAS
- Polypropylene open cap with O-ring seal & NBR top seal
- NBR bottom seal



FIXING METHOD
(ECCENTRIC RING)



LOCKING COLLAR

Chrome Steel		Article-Number	Series	d	I	A	B	C	D	E	F	G	H
		82712H	UCFL-H 206	30	117	86,7	149,7	11	40,3	20	26,85	42	61,5
		82703H	UCFL-H 207/117	35	117	94,7	149,7	11	48	19,5	26	43	66,5
		82704H	UCFL-H 208/117	40	117	94,7	149,7	11	53	19	26,85	44	67

The **UCFL-H watertight bearings - solid version** are made in reinforced polypropylene and stainless steel cover with high mechanical strength and excellent resistance against corrosive chemicals such as water, oils, petrol and liquids containing alcohol. The bearing has a watertight PP cover for sealing, preventing dirt and bacteria from penetrating and increasing the life of the insert. Bearings are made in chrome steel, with 2,5° adjustment. They can be used at temperature between 0°C and +80°C.

FIXING POINT



SOLID



WITH CLOSE CAP

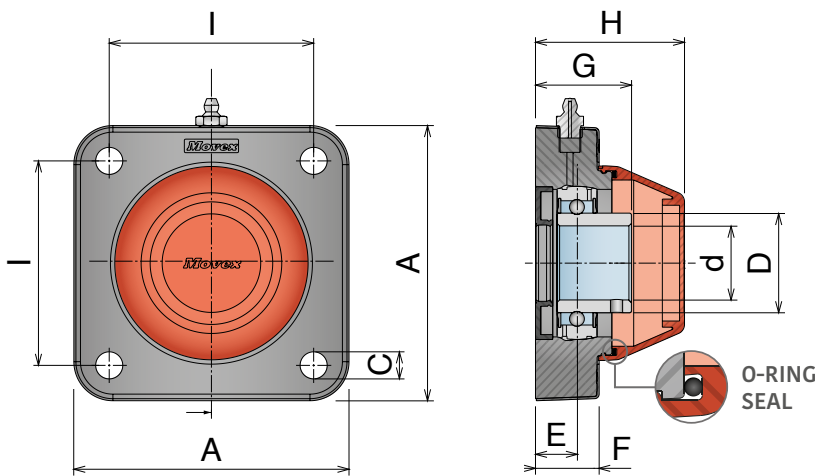
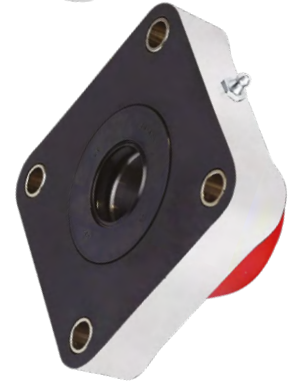


UCF-H GRUB SCREW

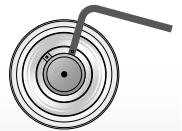
WATERTIGHT BEARINGS - SOLID VERSION

Main features:

- Housing in reinforced polypropylene & cover in SS
- Chrome steel or stainless steel ball bearing (pre-lubricated)
- Nickel-plated brass mounting hole spacers
- Nickel plated steel or SS grease nipple 1/8" GAS (No for "Long life")
- Polypropylene close cap with O-ring seal
- NBR bottom seal



FIXING METHOD



GRUB SCREW

Chrome Steel

Chrome Steel
"Long life"

For open version see pag 43

Article-Number		Series	d	I	A	C	D	E	F	G	H
83002H	83002LH	UCF-H 206	30	83	111,7	11	40,3	17	25	39	60,5
83004H	83004LH	UCF-H 208/83	40	83	111,7	11	53	19,5	25	44,5	65,5

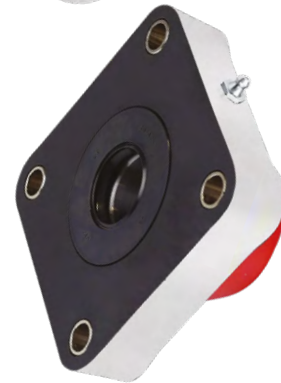
The **UCFL-H watertight bearings - solid version** are made in reinforced polypropylene and stainless steel cover with high mechanical strength and excellent resistance against corrosive chemicals such as water, oils, petrol and liquids containing alcohol. The bearing has a watertight PP cover for sealing, preventing dirt and bacteria from penetrating and increasing the life of the insert. Bearings are made in chrome steel, with 2,5° adjustment. They can be used at temperature between 0°C and +80°C.

UCF-H GRUB SCREW

WATERTIGHT BEARINGS - SOLID VERSION

Main features:

- Housing in reinforced polypropylene & cover in SS
- Chrome steel or stainless steel ball bearing (pre-lubricated)
- Nickel-plated brass mounting hole spacers
- Nickel plated steel or SS grease nipple 1/8" GAS (No for "Long life")
- Polypropylene open cap with O-ring seal & NBR top seal
- NBR bottom seal



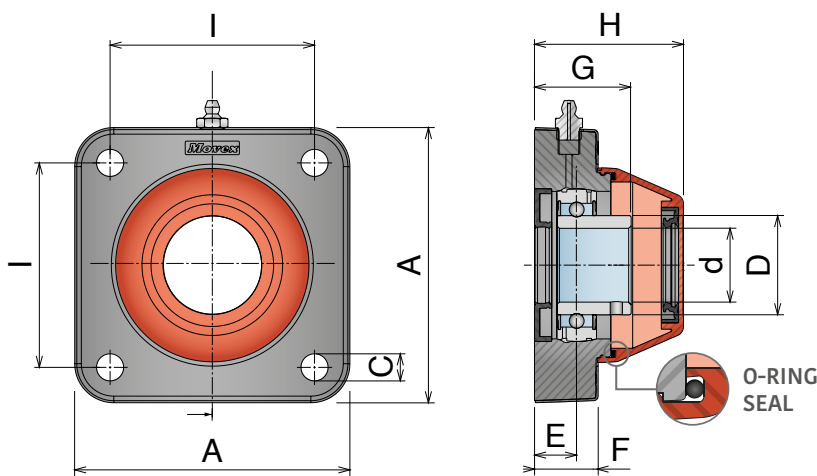
FIXING POINT



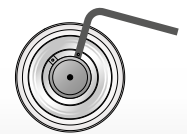
SOLID



WITH OPEN CAP



FIXING METHOD



GRUB SCREW

Chrome Steel	Chrome Steel "Long life"	Article-Number	Series	d	I	A	C	D	E	F	G	H	
		83102H	83102LH	UCF-H 206	30	83	111,7	11	40,3	17	25	39	60,5
		83104H	83104LH	UCF-H 208/83	40	83	111,7	11	53	19,5	25	44,5	65,5

The **UCFL-H watertight bearings - solid version** are made in reinforced polypropylene and stainless steel cover with high mechanical strength and excellent resistance against corrosive chemicals such as water, oils, petrol and liquids containing alcohol. The bearing has a watertight PP cover for sealing, preventing dirt and bacteria from penetrating and increasing the life of the insert. Bearings are made in chrome steel, with 2,5° adjustment. They can be used at temperature between 0°C and +80°C.

FIXING POINT



SOLID



WITH CLOSE CAP

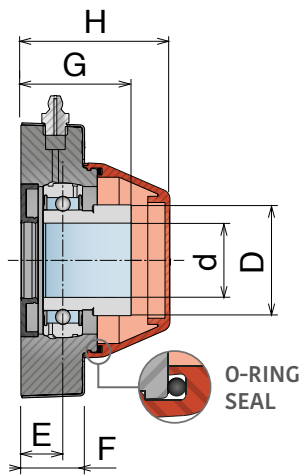
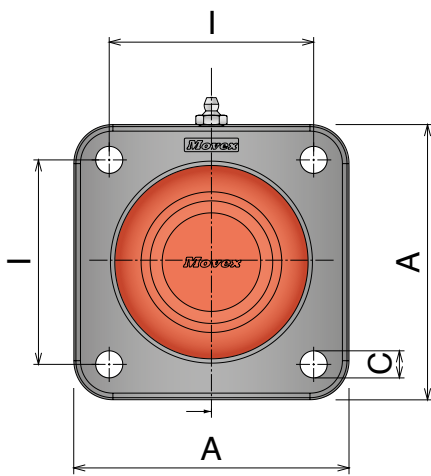
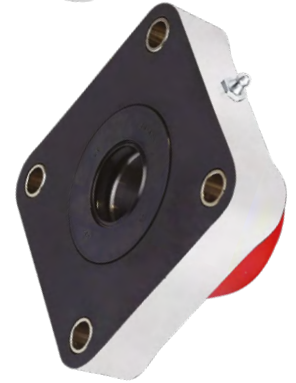


UCF-H LOCKING COLLAR

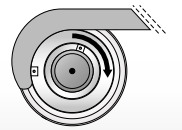
WATERTIGHT BEARINGS - SOLID VERSION

Main features:

- Housing in reinforced polypropylene & cover in SS
- Chrome steel ball bearing (pre-lubricated)
- Nickel-plated brass mounting hole spacers
- Nickel plated steel grease nipple 1/8" GAS
- Polypropylene close cap with O-ring seal
- NBR bottom seal



FIXING METHOD
(ECCENTRIC RING)



LOCKING COLLAR

Chrome Steel

For open version see pag 45

Article-Number	Series	d	I	A	C	D	E	F	G	H
83202H	UCF-H 206	30	83	111,7	11	40,3	17	25	39	60,5
83204H	UCF-H 208/83	40	83	111,7	11	53	19,5	25	44,5	65,5

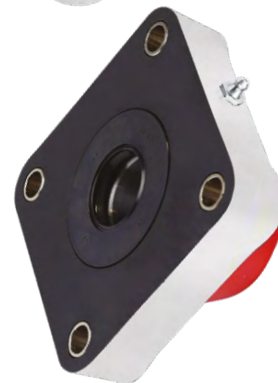
The **UCFL-H watertight bearings - solid version** are made in reinforced polypropylene and stainless steel cover with high mechanical strength and excellent resistance against corrosive chemicals such as water, oils, petrol and liquids containing alcohol. The bearing has a watertight PP cover for sealing, preventing dirt and bacteria from penetrating and increasing the life of the insert. Bearings are made in chrome steel, with 2,5° adjustment. They can be used at temperature between 0°C and +80°C.

UCF-H LOCKING COLLAR

WATERTIGHT BEARINGS - SOLID VERSION

Main features:

- Housing in reinforced polypropylene & cover in SS
- Chrome steel ball bearing (pre-lubricated)
- Nickel-plated brass mounting hole spacers
- Nickel plated steel grease nipple 1/8" GAS
- Polypropylene open cap with O-ring seal & NBR top seal
- NBR bottom seal



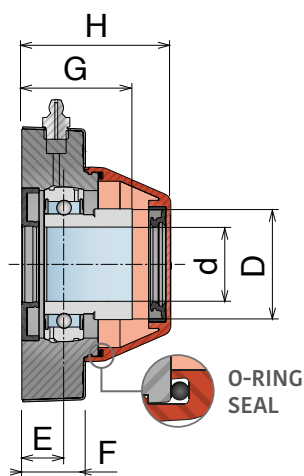
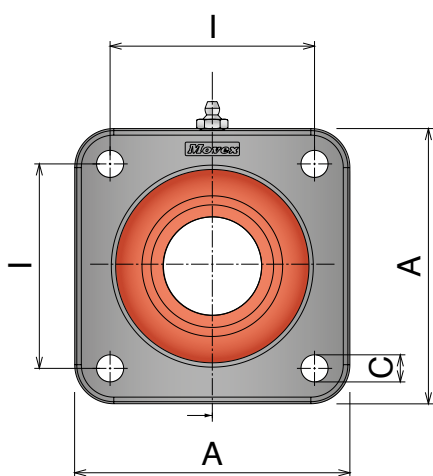
FIXING POINT



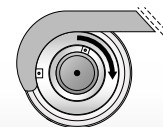
SOLID



WITH OPEN CAP



FIXING METHOD
(ECCENTRIC RING)



LOCKING COLLAR

Chrome Steel		Article-Number	Series	d	I	A	C	D	E	F	G	H
		83302H	UCF-H 206	30	83	111,7	11	40,3	17	25	39	60,5
		83304H	UCF-H 208/83	40	83	111,7	11	53	19,5	25	44,5	65,5

The **UCFL-H watertight bearings - solid version** are made in reinforced polypropylene and stainless steel cover with high mechanical strength and excellent resistance against corrosive chemicals such as water, oils, petrol and liquids containing alcohol. The bearing has a watertight PP cover for sealing, preventing dirt and bacteria from penetrating and increasing the life of the insert. Bearings are made in chrome steel, with 2,5° adjustment. They can be used at temperature between 0°C and +80°C.

CL watertight

WITH GRUB SCREW



- **SOLID VERSION**

Close cap pag 47

- **SOLID VERSION**

Open cap pag 48

CL watertight

WITH LOCKING COLLAR
(eccentric ring)



- **SOLID VERSION**

Close cap pag 49

- **SOLID VERSION**

Open cap pag 50

CL standard

WITH LOCKING COLLAR- COMPACT
(eccentric ring)



- **STANDARD VERSION**

Pag 51

CL watertight

WITH LOCKING COLLAR- COMPACT
(eccentric ring)



- **SOLID VERSION**

Close cap pag 52

- **SOLID VERSION**

Open cap pag 53

CL GRUB SCREW

WATERTIGHT BEARINGS - SOLID VERSION

Main features:

- Housing in reinforced polypropylene & cover in SS
- Chrome steel or stainless steel ball bearing (pre-lubricated)
- Nickel-plated brass mounting hole spacers
- Nickel plated steel or SS grease nipple 1/8" GAS (Plug for "Long life")
- Polypropylene close cap with O-ring seal
- NBR bottom seal



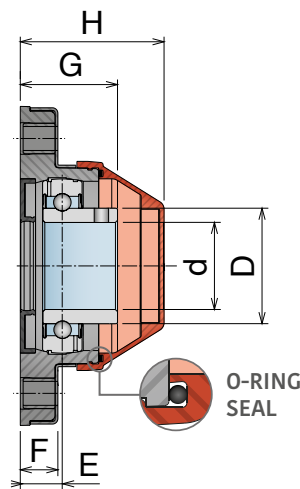
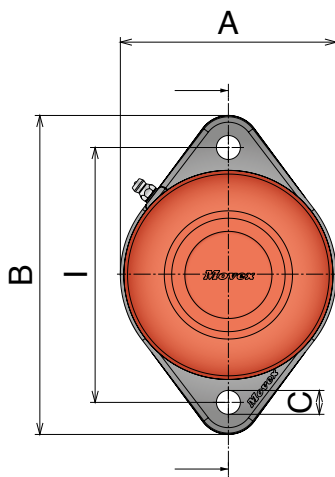
FIXING POINT



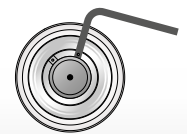
SOLID



WITH CLOSE CAP



FIXING METHOD



GRUB SCREW

Chrome Steel	Chrome Steel "Long life"	Stainless Steel	For open version see pag 48										
Article-Number			Series	d	I	A	B	C	D	E	F	G	H
84502	84502L	84502SS	CL 206	30	117	99	146,5	11	40	18,5	16,5	40	69
84503	84503L	84503SS	CL 207	35	117	99	146,5	11	48	18,5	16,5	41,5	69
84504	84504L	84504SS	CL 208	40	117	99	146,5	11	53	18,5	16,5	43	69

The **CL watertight bearings - solid version** are made in reinforced polypropylene and stainless steel cover with high mechanical strength and excellent resistance against corrosive chemicals such as water, oils, petrol and liquids containing alcohol. The bearing has a watertight PP cover for sealing, preventing dirt and bacteria from penetrating and increasing the life of the insert. The grease nipple is made in nickel plated steel for chrome steel bearings and stainless steel for SS bearings, not available for the "Long life" version (with plug). They can be used at temperature between 0°C and +80°C.

FIXING POINT



SOLID



WITH OPEN CAP

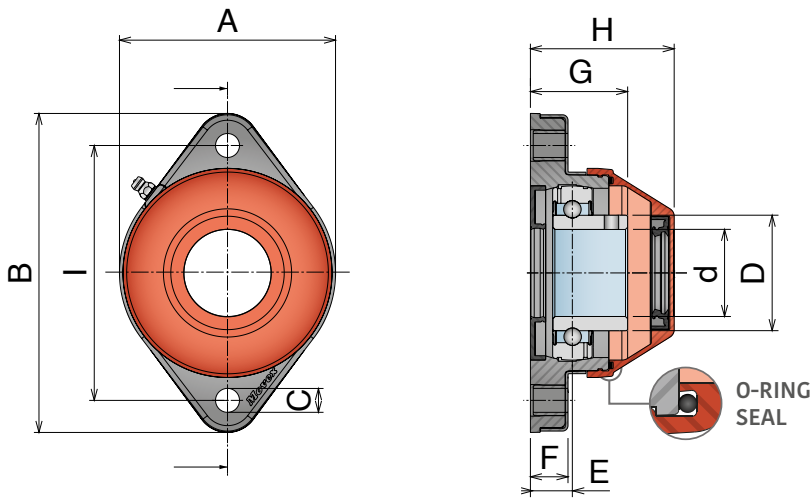


CL GRUB SCREW

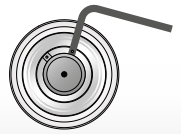
WATERTIGHT BEARINGS - SOLID VERSION

Main features:

- Housing in reinforced polypropylene & cover in SS
- Chrome steel or stainless steel ball bearing (pre-lubricated)
- Nickel-plated brass mounting hole spacers
- Nickel plated steel or SS grease nipple 1/8" GAS (Plug for "Long life")
- Polypropylene open cap with O-ring seal & NBR top seal
- NBR bottom seal



FIXING METHOD



GRUB SCREW

Chrome Steel	Chrome Steel "Long life"	Stainless Steel											
Article-Number			Series	d	I	A	B	C	D	E	F	G	H
84602	84602L	84602SS	CL 206	30	117	99	146,5	11	40	18,5	16,5	40	69
84603	84603L	84603SS	CL 207	35	117	99	146,5	11	48	18,5	16,5	41,5	69
84604	84604L	84604SS	CL 208	40	117	99	146,5	11	53	18,5	16,5	43	69

The **CL watertight bearings - solid version** are made in reinforced polypropylene and stainless steel cover with high mechanical strength and excellent resistance against corrosive chemicals such as water, oils, petrol and liquids containing alcohol. The bearing has a watertight PP cover for sealing, preventing dirt and bacteria from penetrating and increasing the life of the insert. The grease nipple is made in nickel plated steel for chrome steel bearings and stainless steel for SS bearings, not available for the "Long life" version (with plug). They can be used at temperature between 0°C and +80°C.

CL LOCKING COLLAR

WATERTIGHT BEARINGS - SOLID VERSION

Main features:

- Housing in reinforced polypropylene & cover in SS
- Chrome steel ball bearing (pre-lubricated)
- Nickel-plated brass mounting hole spacers
- Nickel plated steel grease nipple 1/8" GAS
- Polypropylene close cap with O-ring seal
- NBR bottom seal



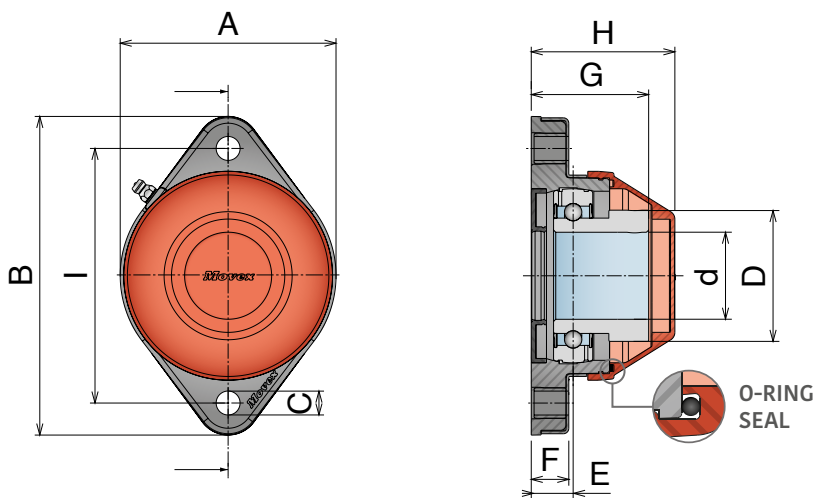
FIXING POINT



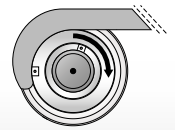
SOLID



WITH CLOSE CAP



FIXING METHOD
(ECCENTRIC RING)



LOCKING COLLAR

Chrome Steel

For open version see pag 50

Article-Number	Series	d	I	A	B	C	D	E	F	G	H
84702	CL 206	30	117	99	146,5	11	45	18,5	16,5	46	69
84703	CL 207	35	117	99	146,5	11	56	18,5	16,5	49	69
84704	CL 208	40	117	99	146,5	11	60,3	18,5	16,5	53	69

The **CL watertight bearings - solid version** are made in reinforced polypropylene and stainless steel cover with high mechanical strength and excellent resistance against corrosive chemicals such as water, oils, petrol and liquids containing alcohol. The bearing has a watertight PP cover for sealing, preventing dirt and bacteria from penetrating and increasing the life of the insert. Bearings are made in chrome steel, with 2,5° adjustment. They can be used at temperature between 0°C and +80°C.

FIXING POINT



SOLID



WITH OPEN CAP

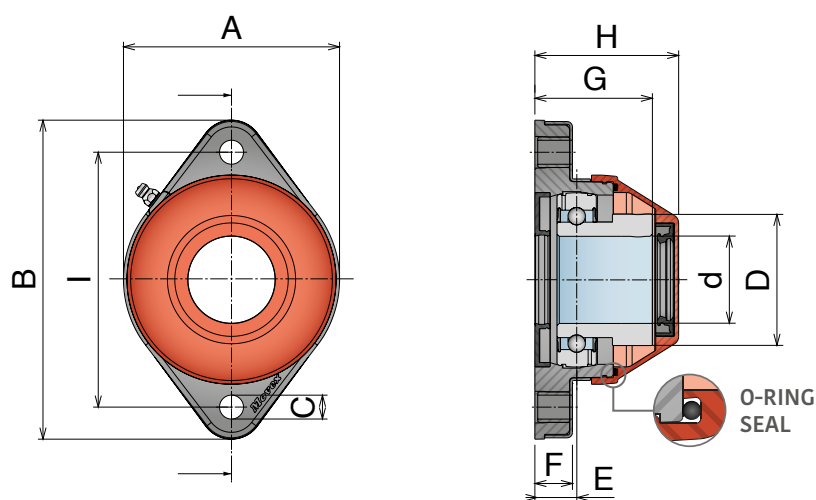


CL LOCKING COLLAR

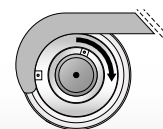
WATERTIGHT BEARINGS - SOLID VERSION

Main features:

- Housing in reinforced polypropylene & cover in SS
- Chrome steel ball bearing (pre-lubricated)
- Nickel-plated brass mounting hole spacers
- Nickel plated steel grease nipple 1/8" GAS
- Polypropylene open cap with O-ring seal & NBR top seal
- NBR bottom seal



FIXING METHOD
(ECCENTRIC RING)



LOCKING COLLAR

Chrome Steel

Article-Number	Series	d	I	A	B	C	D	E	F	G	H
84802	CL 206	30	117	99	146,5	11	45	18,5	16,5	46	69
84803	CL 207	35	117	99	146,5	11	56	18,5	16,5	49	69
84804	CL 208	40	117	99	146,5	11	60,3	18,5	16,5	53	69

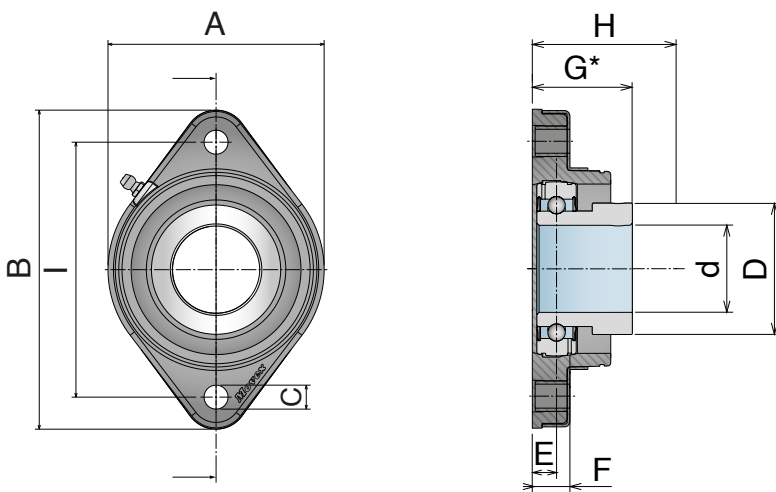
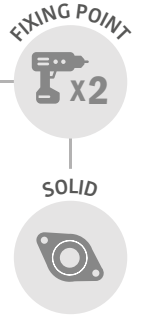
The **CL watertight bearings - solid version** are made in reinforced polypropylene and stainless steel cover with high mechanical strength and excellent resistance against corrosive chemicals such as water, oils, petrol and liquids containing alcohol. The bearing has a watertight PP cover for sealing, preventing dirt and bacteria from penetrating and increasing the life of the insert. Bearings are made in chrome steel, with 2,5° adjustment. They can be used at temperature between 0°C and +80°C.

CL LOCKING COLLAR-COMPACT

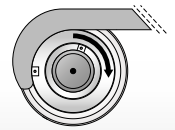
STANDARD BEARINGS - SOLID VERSION

Main features:

- Housing in reinforced polypropylene & cover in SS
- Chrome steel ball bearing (pre-lubricated)
- Nickel-plated brass mounting hole spacers
- Nickel plated steel grease nipple 1/8" GAS
- **No** bottom seal available



FIXING METHOD
(ECCENTRIC RING)



LOCKING COLLAR

Chrome Steel		For close version see pag 52									
Article-Number	Series	d	I	A	B	C	D	E	F	G*	H
89939	CL 206	30	117	99	146,5	11	45	16,3	16	44	69
89936	CL 208	40	117	99	146,5	11	60,3	11,1	16	45,8	69

*G dimension smaller than standard version

The **CL standard bearings - solid version** are made in reinforced polypropylene and stainless steel cover with high mechanical strength and excellent resistance against corrosive chemicals such as water, oils, petrol and liquids containing alcohol. Bearings are made in chrome steel, with 2,5° adjustment. They can be used at temperature between 0°C and +80°C.



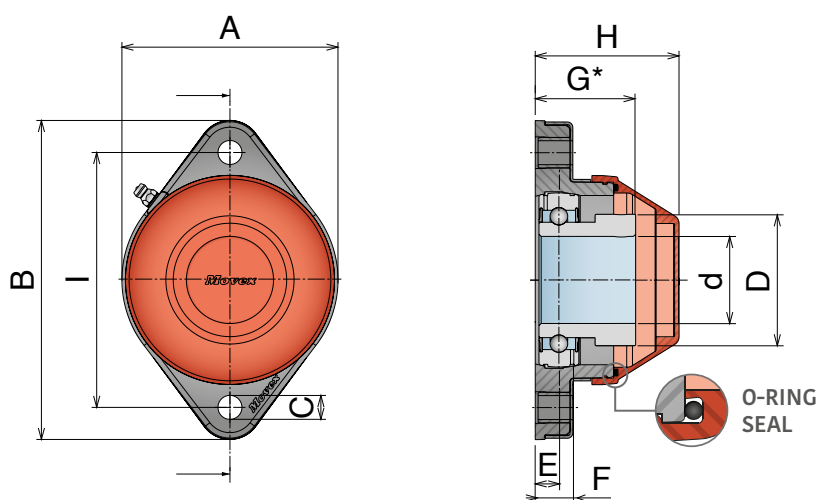
CL LOCKING COLLAR-COMPACT

WATERTIGHT BEARINGS - SOLID VERSION

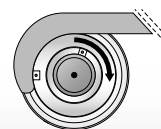
SOLID

Main features:

- Housing in reinforced polypropylene & cover in SS
- Chrome steel ball bearing (pre-lubricated)
- Nickel-plated brass mounting hole spacers
- Nickel plated steel grease nipple 1/8" GAS
- Polypropylene close cap with O-ring seal
- **No** bottom seal available



FIXING METHOD
(ECCENTRIC RING)



LOCKING COLLAR

Chrome Steel

For open version see pag 53

Article-Number	Series	d	I	A	B	C	D	E	F	G*	H
89942	CL 206	30	117	99	146,5	11	45	16,3	16	44	69
89940	CL 208	40	117	99	146,5	11	60,3	11,1	16	45,8	69

*G dimension smaller than standard version

The **CL watertight bearings - solid version** are made in reinforced polypropylene and stainless steel cover with high mechanical strength and excellent resistance against corrosive chemicals such as water, oils, petrol and liquids containing alcohol. The bearing has a watertight PP cover for sealing, preventing dirt and bacteria from penetrating and increasing the life of the insert. Bearings are made in chrome steel, with 2,5° adjustment. They can be used at temperature between 0°C and +80°C.

CL LOCKING COLLAR-COMPACT

WATERTIGHT BEARINGS - SOLID VERSION

Main features:

- Housing in reinforced polypropylene & cover in SS
- Chrome steel ball bearing (pre-lubricated)
- Nickel-plated brass mounting hole spacers
- Nickel plated steel grease nipple 1/8" GAS
- Polypropylene open cap with O-ring seal & NBR top seal
- **No** bottom seal available



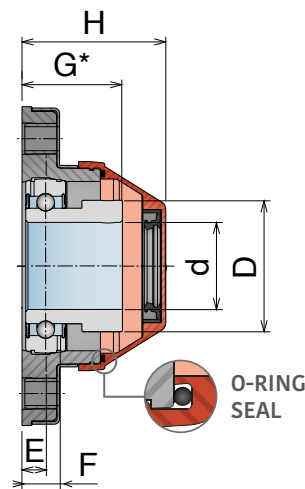
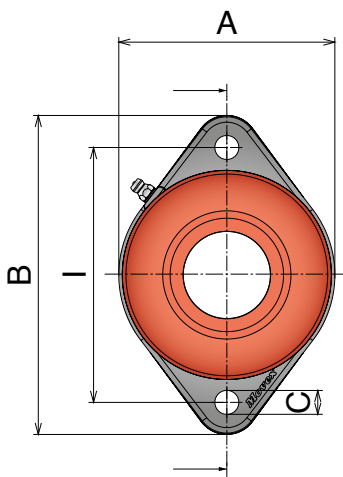
FIXING POINT



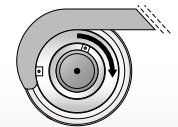
SOLID



WITH OPEN CAP



FIXING METHOD
(ECCENTRIC RING)



LOCKING COLLAR

Chrome Steel		Article-Number	Series	d	I	A	B	C	D	E	F	G*	H
		89943	CL 206	30	117	99	146,5	11	45	16,3	16	44	69
		89941	CL 208	40	117	99	146,5	11	60,3	11,1	16	45,8	69

*G dimension smaller than standard version

The **CL watertight bearings - solid version** are made in reinforced polypropylene and stainless steel cover with high mechanical strength and excellent resistance against corrosive chemicals such as water, oils, petrol and liquids containing alcohol. The bearing has a watertight PP cover for sealing, preventing dirt and bacteria from penetrating and increasing the life of the insert. Bearings are made in chrome steel, with 2,5° adjustment. They can be used at temperature between 0°C and +80°C.

CS watertight

WITH GRUB SCREW



- **SOLID VERSION**
Close cap pag 55

- **SOLID VERSION**
Open cap pag 56

CS watertight

WITH LOCKING COLLAR
(eccentric ring)



- **SOLID VERSION**
Close cap pag 57

- **SOLID VERSION**
Open cap pag 58

CS standard

WITH LOCKING COLLAR- COMPACT
(eccentric ring)



- **STANDARD VERSION**
Pag 59

CS watertight

WITH LOCKING COLLAR- COMPACT
(eccentric ring)



- **SOLID VERSION**
Close cap pag 60

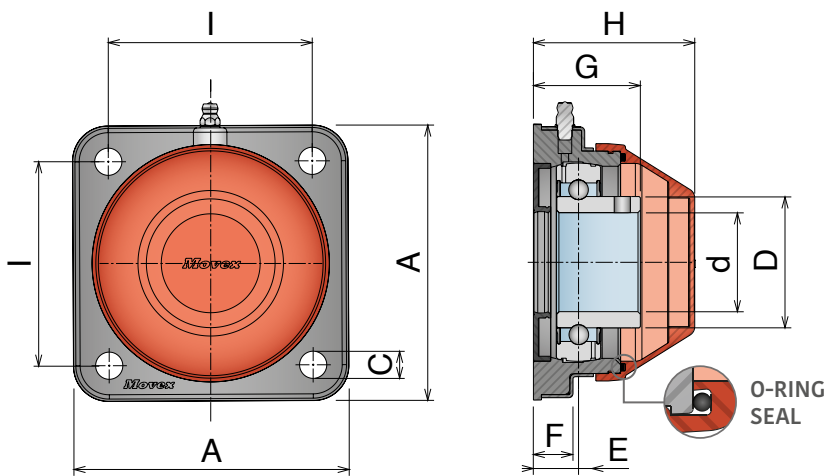
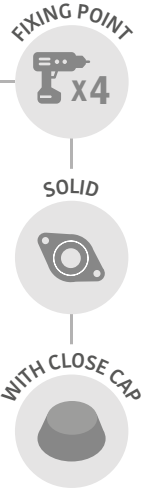
- **SOLID VERSION**
Open cap pag 61

CS GRUB SCREW

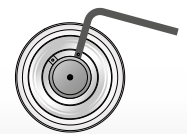
WATERTIGHT BEARINGS - SOLID VERSION

Main features:

- Housing in reinforced polypropylene & cover in SS
- Chrome steel or stainless steel ball bearing (pre-lubricated)
- Nickel-plated brass mounting hole spacers
- Nickel plated steel or SS grease nipple 1/8" GAS (plug for "Long life")
- Polypropylene close cap with O-ring seal
- NBR bottom seal



FIXING METHOD



GRUB SCREW

Chrome Steel	Chrome Steel "Long life"	Stainless Steel	For open version see pag 56										
Article-Number			Series	d	I	A	C	D	E	F	G	H	
84902	84902L	84902SS	CS 206	30	82,5	111	11	40	18,5	16,5	40	69	
84903	84903L	84903SS	CS 207	35	82,5	111	11	48	18,5	16,5	41,5	69	
84904	84904L	84904SS	CS 208	40	82,5	111	11	53	18,5	16,5	43	69	

The **CS watertight bearings - solid version** are made in reinforced polypropylene and stainless steel cover with high mechanical strength and excellent resistance against corrosive chemicals such as water, oils, petrol and liquids containing alcohol. The bearing has a watertight PP cover for sealing, preventing dirt and bacteria from penetrating and increasing the life of the insert. The grease nipple is made in nickel plated steel for chrome steel bearings and stainless steel for SS bearings, not available for the "Long life" version (with plug). They can be used at temperature between 0°C and +80°C.

FIXING POINT



SOLID



WITH OPEN CAP

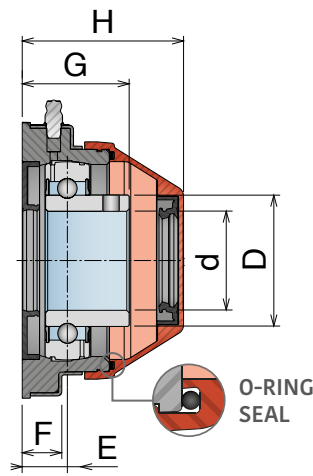
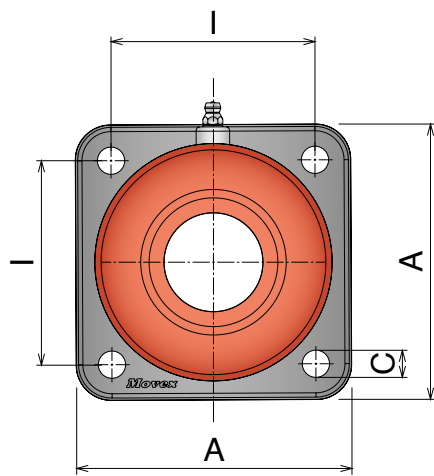


CS GRUB SCREW

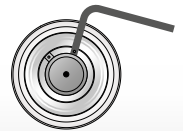
WATERTIGHT BEARINGS - SOLID VERSION

Main features:

- Housing in reinforced polypropylene & cover in SS
- Chrome steel or stainless steel ball bearing (pre-lubricated)
- Nickel-plated brass mounting hole spacers
- Nickel plated steel or SS grease nipple 1/8" GAS (plug for "Long life")
- Polypropylene open cap with O-ring seal & NBR top seal
- NBR bottom seal



FIXING METHOD



GRUB SCREW

Chrome Steel	Chrome Steel "Long life"	Stainless Steel	Series	d	I	A	C	D	E	F	G	H
85002	85002L	85002SS	CS 206	30	82,5	111	11	40	18,5	16,5	40	69
85003	85003L	85003SS	CS 207	35	82,5	111	11	48	18,5	16,5	41,5	69
85004	85004L	85003SS	CS 208	40	82,5	111	11	53	18,5	16,5	43	69

The **CS watertight bearings - solid version** are made in reinforced polypropylene and stainless steel cover with high mechanical strength and excellent resistance against corrosive chemicals such as water, oils, petrol and liquids containing alcohol. The bearing has a watertight PP cover for sealing, preventing dirt and bacteria from penetrating and increasing the life of the insert. The grease nipple is made in nickel plated steel for chrome steel bearings and stainless steel for SS bearings, not available for the "Long life" version (with plug). They can be used at temperature between 0°C and +80°C.

CS LOCKING COLLAR

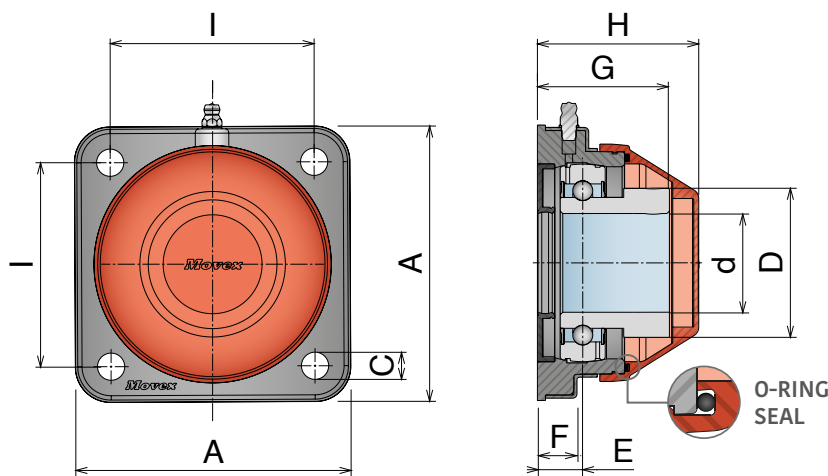
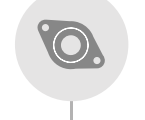
WATERTIGHT BEARINGS - SOLID VERSION

Main features:

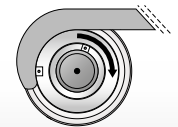
- Housing in reinforced polypropylene & cover in SS
- Chrome steel ball bearing (pre-lubricated)
- Nickel-plated brass mounting hole spacers
- Nickel plated steel grease nipple 1/8" GAS
- Polypropylene close cap with O-ring seal
- NBR bottom seal



SOLID



FIXING METHOD
(ECCENTRIC RING)



LOCKING COLLAR

Chrome Steel		For open version see pag 58									
Article-Number	Series	d	I	A	C	D	E	F	G	H	
85102	CS 206	30	82,5	111	11	45	18,5	16,5	46	69	
85103	CS 207	35	82,5	111	11	56	18,5	16,5	49	69	
85104	CS 208	40	82,5	111	11	60,3	18,5	16,5	53	69	

The **CS watertight bearings - solid version** are made in reinforced polypropylene and stainless steel cover with high mechanical strength and excellent resistance against corrosive chemicals such as water, oils, petrol and liquids containing alcohol. The bearing has a watertight PP cover for sealing, preventing dirt and bacteria from penetrating and increasing the life of the insert. Bearings are made in chrome steel, with 2,5° adjustment. They can be used at temperature between 0°C and +80°C.

FIXING POINT



SOLID



WITH OPEN CAP

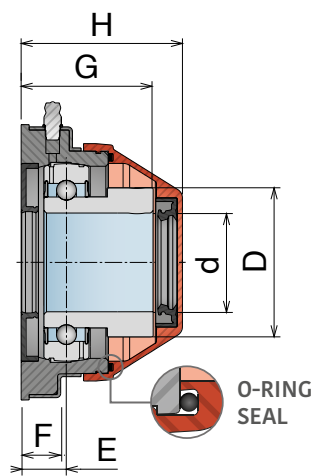
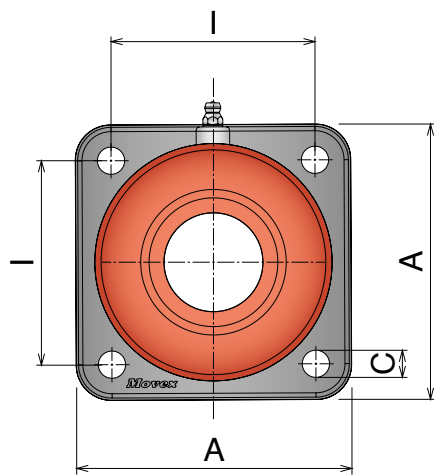


CS LOCKING COLLAR

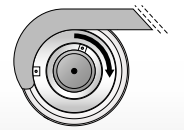
WATERTIGHT BEARINGS - SOLID VERSION

Main features:

- Housing in reinforced polypropylene & cover in SS
- Chrome steel ball bearing (pre-lubricated)
- Nickel-plated brass mounting hole spacers
- Nickel plated steel grease nipple 1/8" GAS
- Polypropylene open cap with O-ring seal & NBR top seal
- NBR bottom seal



FIXING METHOD
(ECCENTRIC RING)



LOCKING COLLAR

Chrome Steel

Article-Number	Series	d	I	A	C	D	E	F	G	H
85202	CS 206	30	82,5	111	11	45	18,5	16,5	46	69
85203	CS 207	35	82,5	111	11	56	18,5	16,5	49	69
85204	CS 208	40	82,5	111	11	60,3	18,5	16,5	53	69

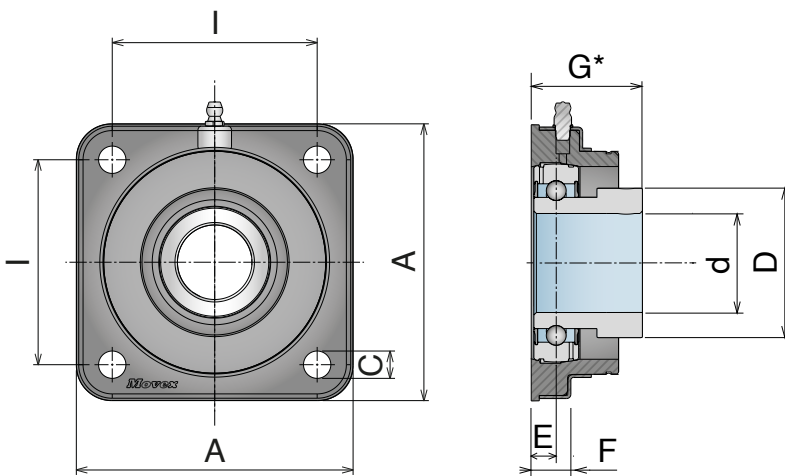
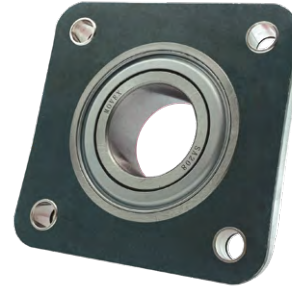
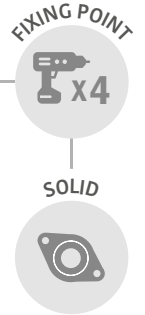
The **CS watertight bearings - solid version** are made in reinforced polypropylene and stainless steel cover with high mechanical strength and excellent resistance against corrosive chemicals such as water, oils, petrol and liquids containing alcohol. The bearing has a watertight PP cover for sealing, preventing dirt and bacteria from penetrating and increasing the life of the insert. Bearings are made in chrome steel, with 2,5° adjustment. They can be used at temperature between 0°C and +80°C.

CS LOCKING COLLAR-COMPACT

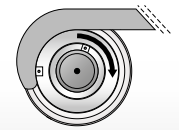
STANDARD BEARINGS - SOLID VERSION

Main features:

- Housing in reinforced polypropylene & cover in SS
- Chrome steel ball bearing (pre-lubricated)
- Nickel-plated brass mounting hole spacers
- Nickel plated steel grease nipple 1/8" GAS
- **No** bottom seal available



FIXING METHOD
(ECCENTRIC RING)



LOCKING COLLAR

Chrome Steel		For close version see pag 60							
Article-Number	Series	d	I	A	C	D	E	F	G*
89938	CS 206	30	82,5	111	11	45	15,3	16	43
89937	CS 208	40	82,5	111	11	60,3	10,1	16	44,8

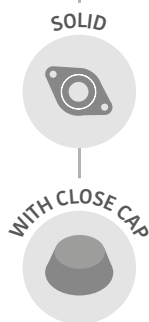
*G dimension smaller than standard version

The **CS standard bearings - solid version** are made in reinforced polypropylene and stainless steel cover with high mechanical strength and excellent resistance against corrosive chemicals such as water, oils, petrol and liquids containing alcohol. Bearings are made in chrome steel, with 2,5° adjustment. They can be used at temperature between 0°C and +80°C.



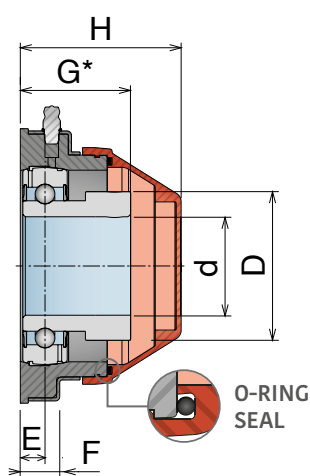
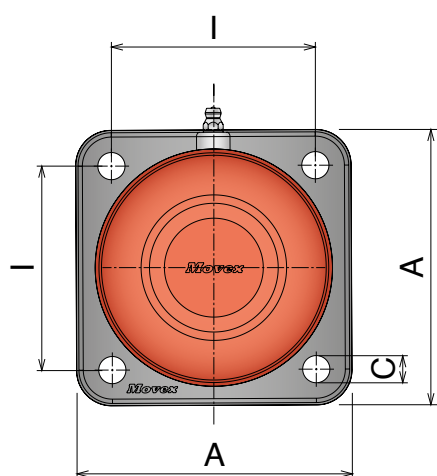
CS LOCKING COLLAR-COMPACT

WATERTIGHT BEARINGS - SOLID VERSION

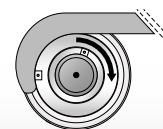


Main features:

- Housing in reinforced polypropylene & cover in SS
- Chrome steel ball bearing (pre-lubricated)
- Nickel-plated brass mounting hole spacers
- Nickel plated steel grease nipple 1/8" GAS
- Polypropylene close cap with O-ring seal
- **No** bottom seal available



FIXING METHOD
(ECCENTRIC RING)



LOCKING COLLAR

Chrome Steel		For open version see pag 61									
Article-Number	Series	d	I	A	C	D	E	F	G*	H	
89946	CS 206	30	82,5	111	11	45	15,3	16	43	69	
89944	CS 208	40	82,5	111	11	60,3	10,1	16	44,8	69	

*G dimension smaller than standard version

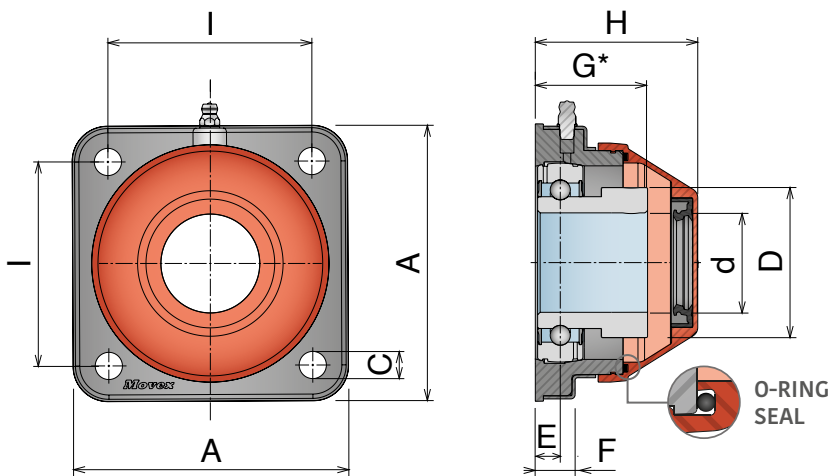
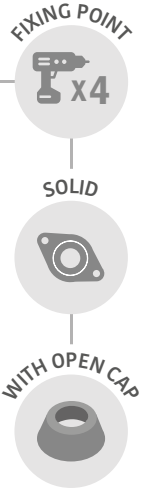
The **CS watertight bearings - solid version** are made in reinforced polypropylene and stainless steel cover with high mechanical strength and excellent resistance against corrosive chemicals such as water, oils, petrol and liquids containing alcohol. The bearing has a watertight PP cover for sealing, preventing dirt and bacteria from penetrating and increasing the life of the insert. Bearings are made in chrome steel, with 2,5° adjustment. They can be used at temperature between 0°C and +80°C.

CS LOCKING COLLAR-COMPACT

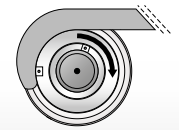
WATERTIGHT BEARINGS - SOLID VERSION

Main features:

- Housing in reinforced polypropylene & cover in SS
- Chrome steel ball bearing (pre-lubricated)
- Nickel-plated brass mounting hole spacers
- Nickel plated steel grease nipple 1/8" GAS
- Polypropylene open cap with O-ring seal & NBR top seal
- **No** bottom seal available



FIXING METHOD
(ECCENTRIC RING)



LOCKING COLLAR

Chrome Steel		Article-Number	Series	d	I	A	C	D	E	F	G*	H
		89947	CS 206	30	82,5	111	11	45	15,3	16	43	69
		89945	CS 208	40	82,5	111	11	60,3	10,1	16	44,8	69

*G dimension smaller than standard version

The **CS watertight bearings - solid version** are made in reinforced polypropylene and stainless steel cover with high mechanical strength and excellent resistance against corrosive chemicals such as water, oils, petrol and liquids containing alcohol. The bearing has a watertight PP cover for sealing, preventing dirt and bacteria from penetrating and increasing the life of the insert. Bearings are made in chrome steel, with 2,5° adjustment. They can be used at temperature between 0°C and +80°C.

SUCFL bearings

WITH GRUB SCREW



- STANDARD VERSION

Pag 63

SUCF bearings

WITH GRUB SCREW



- STANDARD VERSION

Pag 64

SUCFK bearings

WITH GRUB SCREW



- STANDARD VERSION

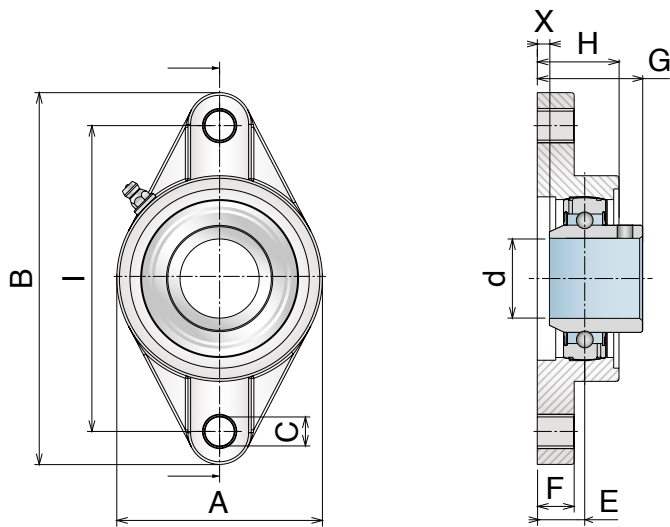
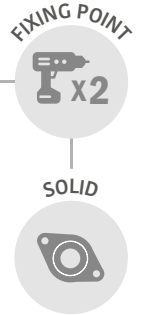
Pag 65

SUCFL GRUB SCREW

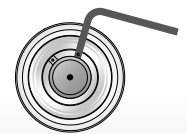
STANDARD BEARINGS - SOLID VERSION

Main features:

- Housing in stainless steel
- Best choice for food or pharmaceutical industries
- Stainless steel ball bearing (pre-lubricated)
- Stainless steel grease nipple 1/8" GAS



FIXING METHOD



GRUB SCREW

Stainless Steel

Article-Number	Series	d	I	A	B	C	E	F	G	H	X
81700	SUCFL 204	20	90	60	113	12	15	11	33,3	25,5	2,3
81701	SUCFL 205	25	99	68	130	16	16	14,5	35,8	27	1,7
81702	SUCFL 206	30	117	80	148	16	18	14,5	40,2	31	2,1
81703	SUCFL 207	35	130	90	161	16	19	14,5	44,4	34	1,5
81704	SUCFL 208	40	144	100	175	16	21	15	51,2	36	2

The **SUCFL standard bearings** are made in stainless steel with high mechanical strength and excellent resistance against corrosive chemicals such as water, oils, petrol and liquids containing alcohol. Bearings are made in stainless steel, with 2,5° adjustment. They can be used at temperature between -15°C and +100°C.

FIXING POINT



SOLID

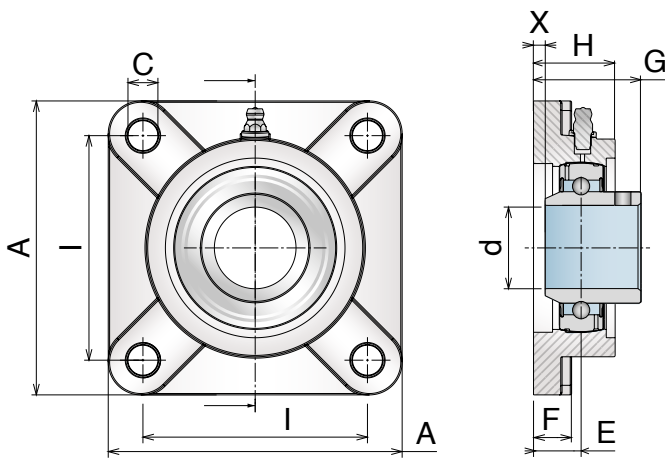
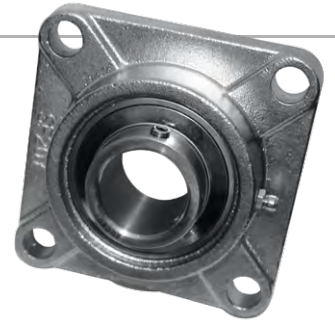


SUCF GRUB SCREW

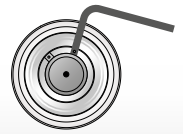
STANDARD BEARINGS - SOLID VERSION

Main features:

- Housing in stainless steel
- Best choice for food or pharmaceutical industries
- Stainless steel ball bearing (pre-lubricated)
- Stainless steel grease nipple 1/8" GAS



FIXING METHOD



GRUB SCREW

Stainless Steel

Article-Number	Series	d	I	A	C	E	F	G	H	X
81900	SUCF 204	20	64	86	12	15	12	33,3	25,5	2,3
81901	SUCF 205	25	70	95	12	16	14	35,8	27	1,7
81902	SUCF 206	30	83	108	12	18	14	40,2	31	2,1
81903	SUCF 207	35	92	117	14	19	15,5	44,4	34	1,5
81904	SUCF 208	40	102	130	16	21	15,5	51,2	36	2

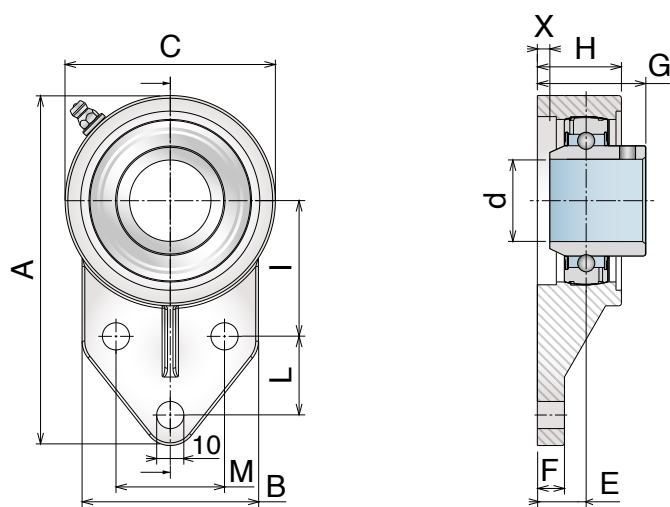
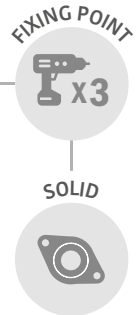
The **SUCF standard bearings** are made in stainless steel with high mechanical strength and excellent resistance against corrosive chemicals such as water, oils, petrol and liquids containing alcohol. Bearings are made in stainless steel, with 2,5° adjustment. They can be used at temperature between -15°C and +100°C.

SUCFK GRUB SCREW

STANDARD BEARINGS - SOLID VERSION

Main features:

- Housing in stainless steel
- Best choice for food or pharmaceutical industries
- Stainless steel ball bearing (pre-lubricated)
- Stainless steel grease nipple 1/8" GAS



FIXING METHOD



GRUB SCREW

Stainless Steel													
Article-Number	Series	d	A	I	L	M	B	C	E	F	G	H	X
82100	SUCFK 204	20	110	42	27	32	52	62	15	13	33,3	25,5	2,3
82101	SUCFK 205	25	116	45	27	34	56	68	16	13	35,7	27	1,7
82102	SUCFK 206	30	130	50	29	40	65	78	18	13	40,2	31	2,1
82103	SUCFK 207	35	144	55	32	46	70	90	19	15	44,4	34	1,5
82104	SUCFK 208	40	164	60	41	50	78	100	21	16	51,2	36	2

The **SUCFK standard bearings** are made in stainless steel with high mechanical strength and excellent resistance against corrosive chemicals such as water, oils, petrol and liquids containing alcohol. Bearings are made in stainless steel, with 2,5° adjustment. They can be used at temperature between -15°C and +100°C.

Hygienic series

Delivery: **Easy**
Standard

FL hygienic bearings

WITH GRUB SCREW



- **STANDARD VERSION**
Pag 67



- **WATERTIGHT VERSION**
Close & open cap pag 68/69

F hygienic bearings

WITH GRUB SCREW



- **STANDARD VERSION**
Pag 70



- **WATERTIGHT VERSION**
Close & open cap pag 71/72

FB hygienic bearings

WITH GRUB SCREW



- **STANDARD VERSION**
Pag 73



- **WATERTIGHT VERSION**
Close & open cap pag 74/75

UCP hygienic bearings

WITH GRUB SCREW



- **STANDARD VERSION**
Pag 76



- **WATERTIGHT VERSION**
Close & open cap pag 77/78

UCT hygienic bearings

WITH GRUB SCREW



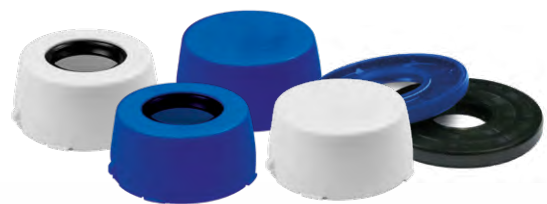
- **STANDARD VERSION**
Pag 79



- **WATERTIGHT VERSION**
Close & open cap pag 80/81

Accessories

HYGIENIC VERSION



- **BLUE VERSION**
Pag 82

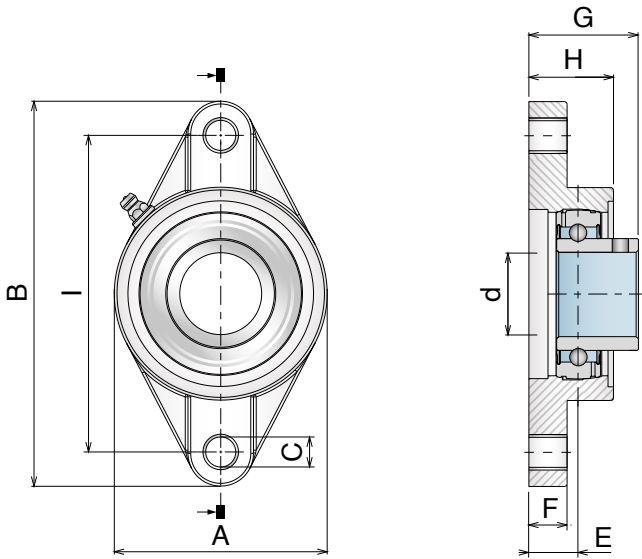
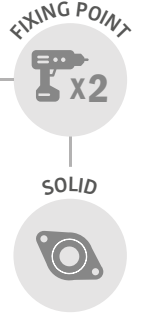
- **WHITE VERSION**
Pag 82

FL GRUB SCREW

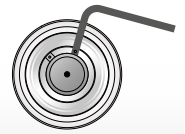
STANDARD BEARINGS - SOLID VERSION

Main features:

- Housing in reinforced polypropylene
- Stainless steel ball bearing (pre-lubricated)
- Stainless steel mounting hole spacers
- Stainless steel grease nipple 1/8" GAS
- Washer for grease nipple in PE



FIXING METHOD



GRUB SCREW

Stainless Steel		For close version see pag 68										Caps (Accessories)	
Article-Number	Series	d	I	A	B	C	E	F	G	H	Close	Open	
○ 81300 ● 81300B	FL 204	20	90	64	113	11	15,4	11,4	33,4	26,5	89801	89851	
○ 81301 ● 81301B	FL 205	25	99	70	131	11	17	14	36,5	29,5	89802	89852	
○ 81305 ● 81305B	FL 206/90,5	30	90,5	84	112,5	11	11,5	20,5	33,5	23,3	89803	89853	
○ 81302 ● 81302B	FL 206		117	80	148	11	18	14	40	30,5	89803	89853	
○ 81303 ● 81303B	FL 207	35	130	90	164	13	18	16,1	41,5	32,8	89804	89854	
○ 81306 ● 81306B	FL 208/119	40	119	99	150	14	13,5	24,5	38,5	27,5	89805	89855	
○ 81304 ● 81304B	FL 208		144	100	176	14	21,5	20	46,5	37,5	89805	89855	

For blue caps, add "B" to the code (e.g.: 89801B)

The **FL hygienic bearings - solid version** are made in reinforced polypropylene with good mechanical strength and excellent resistance against corrosive chemicals such as water, oils, petrol and liquids containing alcohol. Bearings are made in stainless steel, with 2,5° adjustment. They can be used at temperature between 0°C and +80°C.

FIXING POINT



FL GRUB SCREW

WATERTIGHT BEARINGS - SOLID VERSION

SOLID

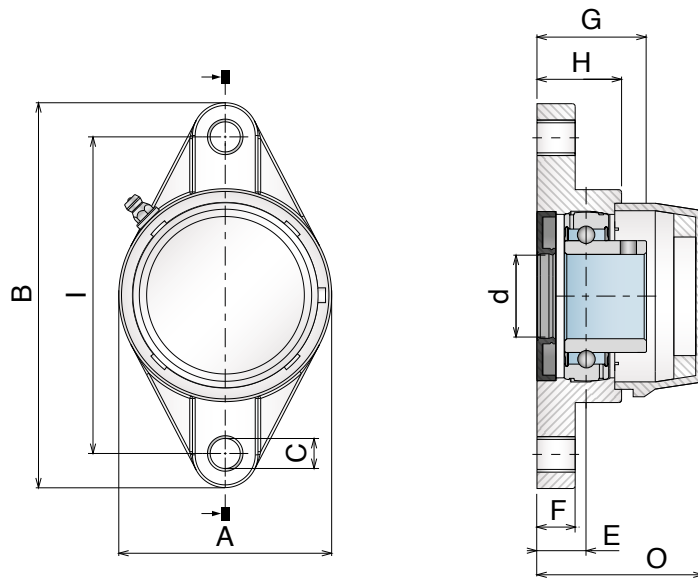


WITH CLOSE CAP



Main features:

- Housing in reinforced polypropylene
- Stainless steel ball bearing (pre-lubricated)
- Stainless steel mounting hole spacers
- Stainless steel grease nipple 1/8" GAS
- Polypropylene closed cap with O-ring seal
- Washer for grease nipple in PE
- NBR bottom seal



FIXING METHOD



GRUB SCREW

Stainless Steel

For open version see pag 69

Article-Number	Series	d	I	A	B	C	E	F	G	H	O
○ 81320 ● 81320B	FL 204	20	90	64	113	11	15,4	11,4	33,4	26,5	46,5
○ 81321 ● 81321B	FL 205	25	99	70	131	11	17	14	36,5	29,5	51
○ 81325 ● 81325B	FL 206/90,5	30	90,5	84	112,5	11	11,5	20,5	33,5	23,3	50
○ 81322 ● 81322B	FL 206		117	80	148	11	18	14	40	30,5	58
○ 81323 ● 81323B	FL 207	35	130	90	164	13	18	16,1	41,5	32,8	61
○ 81326 ● 81326B	FL 208/119	40	119	99	150	14	13,5	24,5	38,5	27,5	60,5
○ 81324 ● 81324B	FL 208		144	100	176	14	21,5	20	46,5	37,5	71

The **FL watertight hygienic bearings** are made in reinforced polypropylene with good mechanical strength and excellent resistance against corrosive chemicals such as water, oils, petrol and liquids containing alcohol. The bearing has a watertight PP cover for sealing, preventing dirt and bacteria from penetrating and increasing the life of the insert. Bearings are made in stainless steel, with 2,5° adjustment. They can be used at temperature between 0°C and +80°C.

FL GRUB SCREW

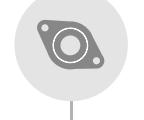
WATERTIGHT BEARINGS - SOLID VERSION

Main features:

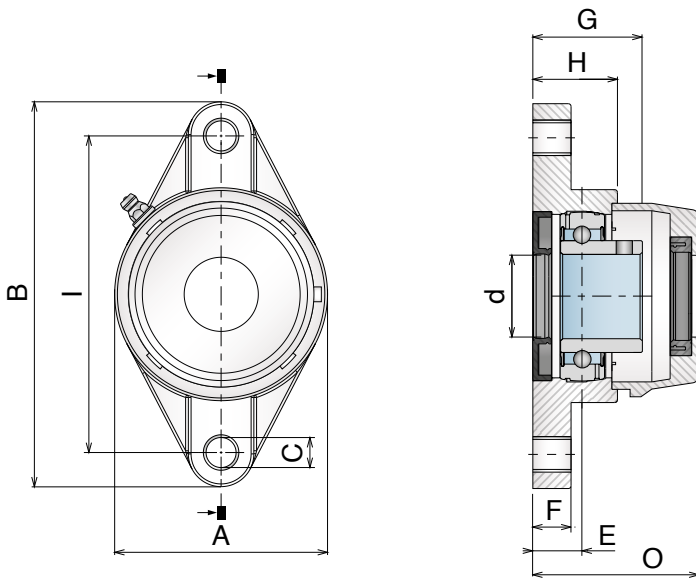
- Housing in reinforced polypropylene
- Stainless steel ball bearing (pre-lubricated)
- Stainless steel mounting hole spacers
- Stainless steel grease nipple 1/8" GAS
- Polypropylene open cap with O-ring seal & NBR top seal
- Washer for grease nipple in PE
- NBR bottom seal



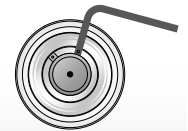
SOLID



WITH OPEN CAP



FIXING METHOD



GRUB SCREW

Stainless Steel		Article-Number	Series	d	I	A	B	C	E	F	G	H	O	
○	●	81330	81330B	FL 204	20	90	64	113	11	15,4	11,4	33,4	26,5	46,5
○	●	81331	81331B	FL 205	25	99	70	131	11	17	14	36,5	29,5	51
○	●	81335	81335B	FL 206/90,5	30	90,5	84	112,5	11	11,5	20,5	33,5	23,3	50
○	●	81332	81332B	FL 206		117	80	148	11	18	14	40	30,5	58
○	●	81333	81333B	FL 207	35	130	90	164	13	18	16,1	41,5	32,8	61
○	●	81336	81336B	FL 208/119	40	119	99	150	14	13,5	24,5	38,5	27,5	60,5
○	●	81334	81334B	FL 208		144	100	176	14	21,5	20	46,5	37,5	71

The **FL watertight hygienic bearings** are made in reinforced polypropylene with good mechanical strength and excellent resistance against corrosive chemicals such as water, oils, petrol and liquids containing alcohol. The bearing has a watertight PP cover for sealing, preventing dirt and bacteria from penetrating and increasing the life of the insert. Bearings are made in stainless steel, with 2,5° adjustment. They can be used at temperature between 0°C and +80°C.

FIXING POINT



SOLID

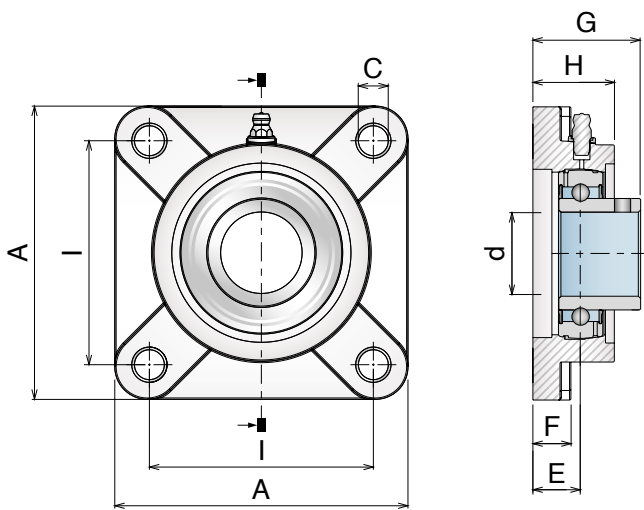


F GRUB SCREW

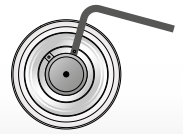
STANDARD BEARINGS - SOLID VERSION

Main features:

- Housing in reinforced polypropylene
- Stainless steel ball bearing (pre-lubricated)
- Stainless steel mounting hole spacers
- Stainless steel grease nipple 1/8" GAS
- Washer for grease nipple in PE



FIXING METHOD



GRUB SCREW

Stainless Steel

For close version see pag 71

Caps
(Accessories)

Article-Number		Series	d	I	A	C	E	F	G	H	Close	Open		
○	81400	●	81400B	F 204	20	63,5	86	11	18	13,4	34,8	25,3	89801	89851
○	81401	●	81401B	F 205	25	70	95	11	17	14	35,8	28,5	89802	89852
○	81402	●	81402B	F 206	30	83	107	11	19,2	14,3	40,8	31,5	89803	89853
○	81403	●	81403B	F 207	35	92	118	13	21,5	15,5	42,8	34,4	89804	89854
○	81404	●	81404B	F 208	40	102	130	14	23	17	46,2	33,4	89805	89855

For blue caps, add "B" to the code (e.g.: 89801B)

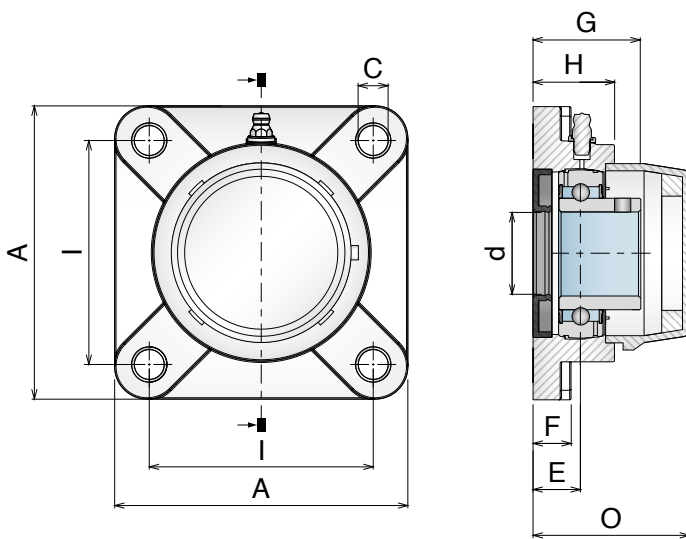
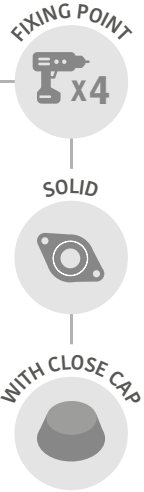
The **F hygienic bearings - solid version** are made in reinforced polypropylene with good mechanical strength and excellent resistance against corrosive chemicals such as water, oils, petrol and liquids containing alcohol. Bearings are made in stainless steel, with 2,5° adjustment. They can be used at temperature between 0°C and +80°C.

F GRUB SCREW

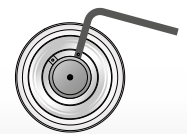
WATERTIGHT BEARINGS - SOLID VERSION

Main features:

- Housing in reinforced polypropylene
- Stainless steel ball bearing (pre-lubricated)
- Stainless steel mounting hole spacers
- Stainless steel grease nipple 1/8" GAS
- Polypropylene closed cap with O-ring seal
- Washer for grease nipple in PE
- NBR bottom seal



FIXING METHOD



GRUB SCREW

Stainless Steel

For open version see pag 72

Article-Number	Series	d	I	A	C	E	F	G	H	O
○ 81420 ● 81420B	F 204	20	63,5	86	11	18	13,4	34,8	25,3	48,5
○ 81421 ● 81421B	F 205	25	70	95	11	17	14	35,8	28,5	51
○ 81422 ● 81422B	F 206	30	83	107	11	19,2	14,3	40,8	31,5	59
○ 81423 ● 81423B	F 207	35	92	118	13	21,5	15,5	42,8	34,4	62,5
○ 81424 ● 81424B	F 208	40	102	130	14	23	17	46,2	33,4	71

The **F watertight hygienic bearings** are made in reinforced polypropylene with good mechanical strength and excellent resistance against corrosive chemicals such as water, oils, petrol and liquids containing alcohol. The bearing has a watertight PP cover for sealing, preventing dirt and bacteria from penetrating and increasing the life of the insert. Bearings are made in stainless steel, with 2,5° adjustment. They can be used at temperature between 0°C and +80°C.

FIXING POINT



SOLID



WITH OPEN CAP

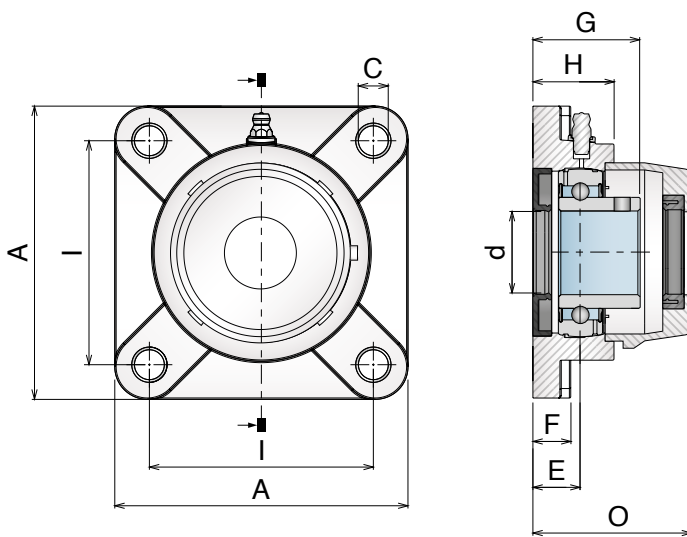


F GRUB SCREW

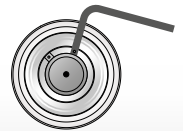
WATERTIGHT BEARINGS - SOLID VERSION

Main features:

- Housing in reinforced polypropylene
- Stainless steel ball bearing (pre-lubricated)
- Stainless steel mounting hole spacers
- Stainless steel grease nipple 1/8" GAS
- Polypropylene open cap with O-ring seal & NBR top seal
- Washer for grease nipple in PE
- NBR bottom seal



FIXING METHOD



GRUB SCREW

Stainless Steel

Article-Number	Series	d	I	A	C	E	F	G	H	O
○ 81430 ● 81430B	F 204	20	63,5	86	11	18	13,4	34,8	25,3	48,5
○ 81431 ● 81431B	F 205	25	70	95	11	17	14	35,8	28,5	51
○ 81432 ● 81432B	F 206	30	83	107	11	19,2	14,3	40,8	31,5	59
○ 81433 ● 81433B	F 207	35	92	118	13	21,5	15,5	42,8	34,4	62,5
○ 81434 ● 81434B	F 208	40	102	130	14	23	17	46,2	33,4	71

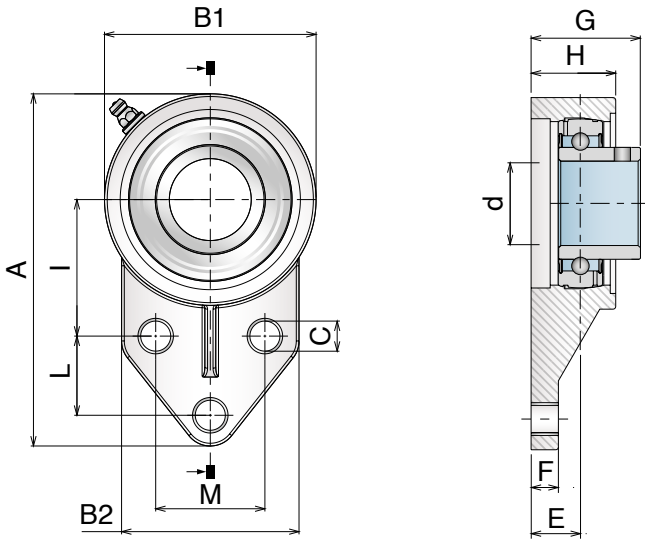
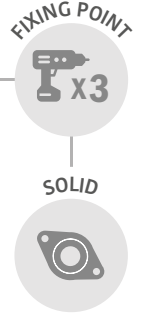
The **F watertight hygienic bearings** are made in reinforced polypropylene with good mechanical strength and excellent resistance against corrosive chemicals such as water, oils, petrol and liquids containing alcohol. The bearing has a watertight PP cover for sealing, preventing dirt and bacteria from penetrating and increasing the life of the insert. Bearings are made in stainless steel, with 2,5° adjustment. They can be used at temperature between 0°C and +80°C.

FB GRUB SCREW

STANDARD BEARINGS - SOLID VERSION

Main features:

- Housing in reinforced polypropylene
- Stainless steel ball bearing (pre-lubricated)
- Stainless steel mounting hole spacers
- Stainless steel grease nipple 1/8" GAS
- Washer for grease nipple in PE



FIXING METHOD



GRUB SCREW

Stainless Steel		For close version see pag 74												Caps (Accessories)	
Article-Number	Series	d	A	B1	B2	C	E	F	G	H	I	L	M	Close	Open
○ 81500 ● 81500B	FB 204	20	108,5	62	62	11	15,4	12	33,4	26,2	42,9	22,2	38,1	89801	89851
○ 81501 ● 81501B	FB 205	25	120,6	68,5	63,5	11	21	12	40,5	33,5	46	28,6	41,3	89802	89852
○ 81502 ● 81502B	FB 206	30	140	82	75	11	19	14	41	31,5	52,4	31,8	47,6	89803	89853
○ 81503 ● 81503B	FB 207	35	158	94	89	13	21,4	17	44,9	36,5	60,3	31,8	50,8	89804	89854
○ 81504 ● 81504B	FB 208	40	164	100	78	13	21,4	18	46,4	35,7	60,3	41,3	50	89805	89855

For blue caps, add "B" to the code (e.g.: 89801B)

The **FB hygienic bearings - solid version** are made in reinforced polypropylene with good mechanical strength and excellent resistance against corrosive chemicals such as water, oils, petrol and liquids containing alcohol. Bearings are made in stainless steel, with 2,5° adjustment. They can be used at temperature between 0°C and +80°C.

FIXING POINT



FB GRUB SCREW

WATERTIGHT BEARINGS - SOLID VERSION

SOLID

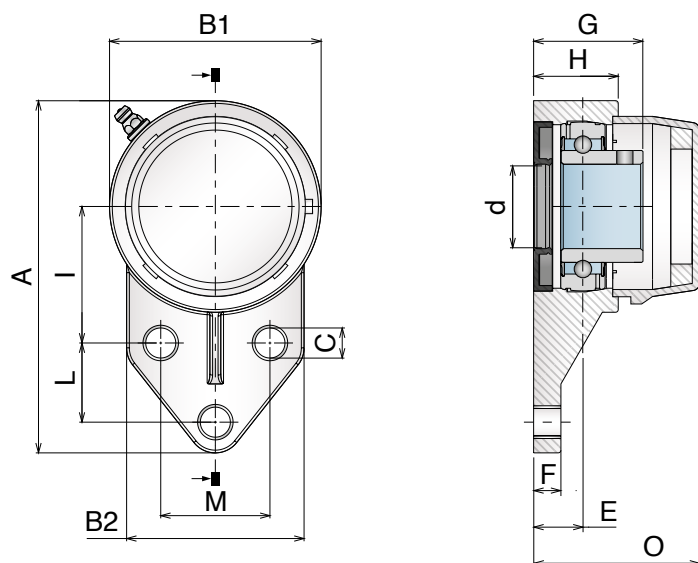


WITH CLOSE CAP

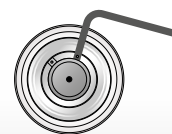


Main features:

- Housing in reinforced polypropylene
- Stainless steel ball bearing (pre-lubricated)
- Stainless steel mounting hole spacers
- Stainless steel grease nipple 1/8" GAS
- Polypropylene closed cap with O-ring seal
- Washer for grease nipple in PE
- NBR bottom seal



FIXING METHOD



GRUB SCREW

Stainless Steel

For open version see pag 75

Article-Number	Series	d	A	B1	B2	C	E	F	G	H	I	L	M	O
○ 81520 ● 81520B	FB 204	20	108,5	62	62	11	15,4	12	33,4	26,2	42,9	22,2	38,1	46
○ 81521 ● 81521B	FB 205	25	120,6	68,5	63,5	11	21	12	40,5	33,5	46	28,6	41,3	54,5
○ 81522 ● 81522B	FB 206	30	140	82	75	11	19	14	41	31,5	52,4	31,8	47,6	58
○ 81523 ● 81523B	FB 207	35	158	94	89	13	21,4	17	44,9	36,5	60,3	31,8	50,8	65,5
○ 81524 ● 81524B	FB 208	40	164	100	78	13	21,4	18	46,4	35,7	60,3	41,3	50	70

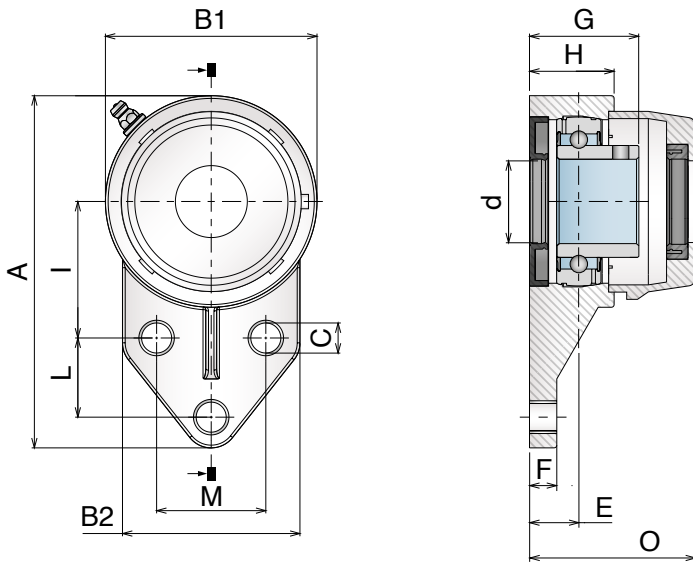
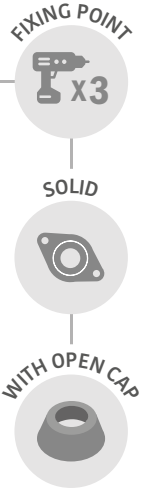
The **FB watertight hygienic bearings** are made in reinforced polypropylene with good mechanical strength and excellent resistance against corrosive chemicals such as water, oils, petrol and liquids containing alcohol. The bearing has a watertight PP cover for sealing, preventing dirt and bacteria from penetrating and increasing the life of the insert. Bearings are made in stainless steel, with 2,5° adjustment. They can be used at temperature between 0°C and +80°C.

FB GRUB SCREW

WATERTIGHT BEARINGS - SOLID VERSION

Main features:

- Housing in reinforced polypropylene
- Stainless steel ball bearing (pre-lubricated)
- Stainless steel mounting hole spacers
- Stainless steel grease nipple 1/8" GAS
- Polypropylene open cap with O-ring seal & NBR top seal
- Washer for grease nipple in PE
- NBR bottom seal



FIXING METHOD



Stainless Steel

Article-Number	Series	d	A	B1	B2	C	E	F	G	H	I	L	M	O
○ 81530 ● 81530B	FB 204	20	108,5	62	62	11	15,4	12	33,4	26,2	42,9	22,2	38,1	46
○ 81531 ● 81531B	FB 205	25	120,6	68,5	63,5	11	21	12	40,5	33,5	46	28,6	41,3	54,5
○ 81532 ● 81532B	FB 206	30	140	82	75	11	19	14	41	31,5	52,4	31,8	47,6	58
○ 81533 ● 81533B	FB 207	35	158	94	89	13	21,4	17	44,9	36,5	60,3	31,8	50,8	65,5
○ 81534 ● 81534B	FB 208	40	164	100	78	13	21,4	18	46,4	35,7	60,3	41,3	50	70

The **FB watertight hygienic bearings** are made in reinforced polypropylene with good mechanical strength and excellent resistance against corrosive chemicals such as water, oils, petrol and liquids containing alcohol. The bearing has a watertight PP cover for sealing, preventing dirt and bacteria from penetrating and increasing the life of the insert. Bearings are made in stainless steel, with 2,5° adjustment. They can be used at temperature between 0°C and +80°C.

FIXING POINT



SOLID

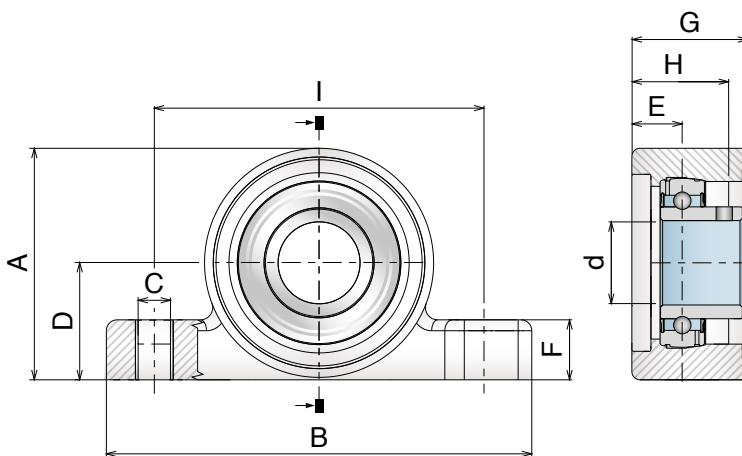


UCP GRUB SCREW

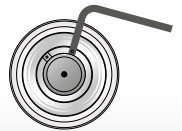
STANDARD BEARINGS - SOLID VERSION

Main features:

- Housing in reinforced polypropylene
- Stainless steel ball bearing (pre-lubricated)
- Stainless steel mounting hole spacers
- Stainless steel grease nipple 1/8" GAS
- Washer for grease nipple in PE



FIXING METHOD



GRUB SCREW

Stainless Steel		For close version see pag 77											Caps (Accessories)	
Article-Number	Series	d	I	A	B	C	D	E	F	G	H	Close	Open	
○ 81800 ● 81800B	UCP 204	20	95	65,5	127	14 (11)	34	15	16	38	23	89801	89851	
○ 81801 ● 81801B	UCP 205	25	105	71,5	140	14 (11)	36,7	16	15	38	29	89802	89852	
○ 81802 ● 81802B	UCP 206	30	119	83,5	163	18 (14)	43,3	17,5	18	46	30,5	89803	89853	
○ 81803 ● 81803B	UCP 207	35	127	94,5	168	18 (14)	48	17,5	18	48	31,5	89804	89854	
○ 81804 ● 81804B	UCP 208	40	137	99	184	18 (14)	50	15,5	20	54	30	89805	89855	

For blue caps, add "B" to the code (e.g.: 89801B)

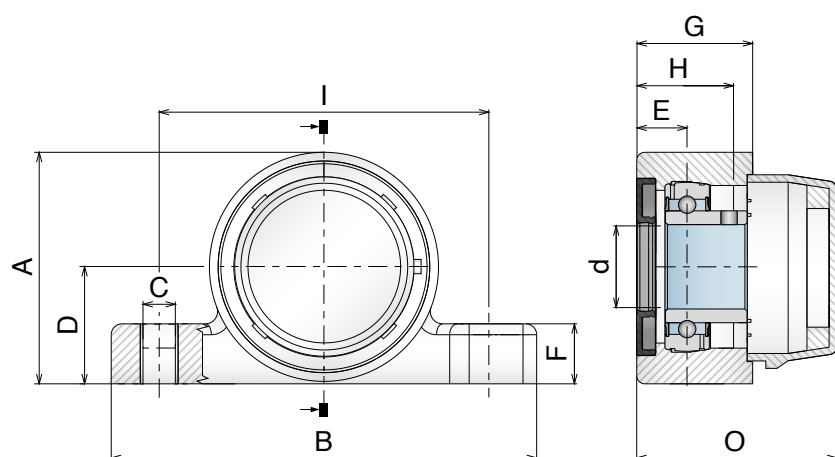
The **UCP hygienic bearings - solid version** are made in reinforced polypropylene with good mechanical strength and excellent resistance against corrosive chemicals such as water, oils, petrol and liquids containing alcohol. Bearings are made in stainless steel, with 2,5° adjustment. They can be used at temperature between 0°C and +80°C.

UCP GRUB SCREW

WATERTIGHT BEARINGS - SOLID VERSION

Main features:

- Housing in reinforced polypropylene
- Stainless steel ball bearing (pre-lubricated)
- Stainless steel mounting hole spacers
- Stainless steel grease nipple 1/8" GAS
- Polypropylene closed cap with O-ring seal
- Washer for grease nipple in PE
- NBR bottom seal



FIXING METHOD



GRUB SCREW

Stainless Steel

For open version see pag 78

Article-Number	Series	d	I	A	B	C	D	E	F	G	H	O
○ 81820 ● 81820B	UCP 204	20	95	65,5	127	14(11)	34	15	16	38	23	50
○ 81821 ● 81821B	UCP 205	25	105	71,5	140	14(11)	36,7	16	15	38	29	54,5
○ 81822 ● 81822B	UCP 206	30	119	83,5	163	18(14)	43,3	17,5	18	46	30,5	65
○ 81823 ● 81823B	UCP 207	35	127	94,5	168	18(14)	48	17,5	18	48	31,5	67
○ 81824 ● 81824B	UCP 208	40	137	99	184	18(14)	50	15,5	20	54	30	76

The **UCP watertight hygienic bearings** are made in reinforced polypropylene with good mechanical strength and excellent resistance against corrosive chemicals such as water, oils, petrol and liquids containing alcohol. The bearing has a watertight PP cover for sealing, preventing dirt and bacteria from penetrating and increasing the life of the insert. Bearings are made in stainless steel, with 2,5° adjustment. They can be used at temperature between 0°C and +80°C.

FIXING POINT



UCP GRUB SCREW

WATERTIGHT BEARINGS - SOLID VERSION

SOLID

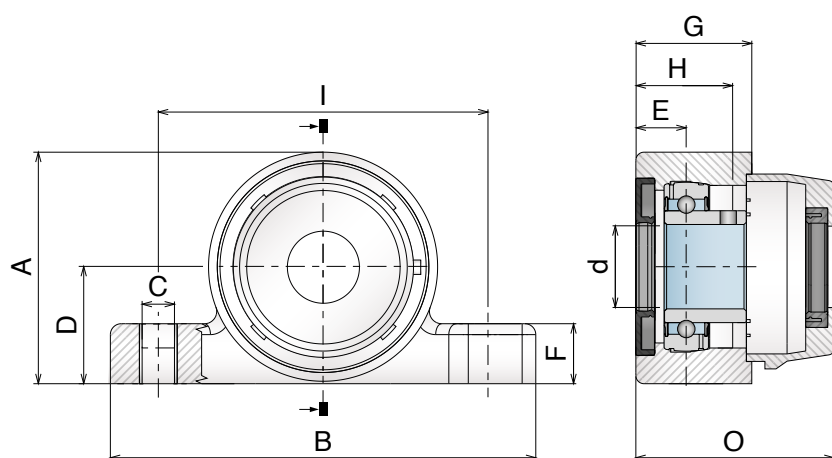


WITH OPEN CAP



Main features:

- Housing in reinforced polypropylene
- Stainless steel ball bearing (pre-lubricated)
- Stainless steel mounting hole spacers
- Stainless steel grease nipple 1/8" GAS
- Polypropylene open cap with O-ring seal & NBR top seal
- Washer for grease nipple in PE
- NBR bottom seal



FIXING METHOD



GRUB SCREW

Stainless Steel

Article-Number	Series	d	I	A	B	C	D	E	F	G	H	O
○ 81830 ● 81830B	UCP 204	20	95	65,5	127	14(11)	34	15	16	38	23	50
○ 81831 ● 81831B	UCP 205	25	105	71,5	140	14(11)	36,7	16	15	38	29	54,5
○ 81832 ● 81832B	UCP 206	30	119	83,5	163	18(14)	43,3	17,5	18	46	30,5	65
○ 81833 ● 81833B	UCP 207	35	127	94,5	168	18(14)	48	17,5	18	48	31,5	67
○ 81834 ● 81834B	UCP 208	40	137	99	184	18(14)	50	15,5	20	54	30	76

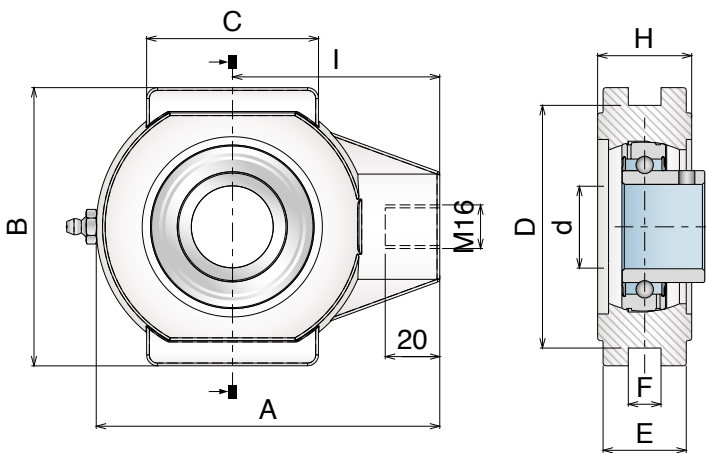
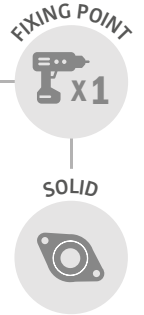
The **UCP watertight hygienic bearings** are made in reinforced polypropylene with good mechanical strength and excellent resistance against corrosive chemicals such as water, oils, petrol and liquids containing alcohol. The bearing has a watertight PP cover for sealing, preventing dirt and bacteria from penetrating and increasing the life of the insert. Bearings are made in stainless steel, with 2,5° adjustment. They can be used at temperature between 0°C and +80°C.

UCT GRUB SCREW

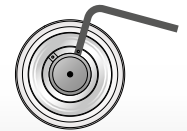
STANDARD BEARINGS - SOLID VERSION

Main features:

- Housing in reinforced polypropylene
- Stainless steel ball bearing (pre-lubricated)
- Stainless steel mounting hole spacers
- Stainless steel grease nipple 1/8" GAS
- Washer for grease nipple in PE



FIXING METHOD



GRUB SCREW

Stainless Steel		For close version see pag 80										Caps (Accessories)	
Article-Number	Series	d	I	A	B	C	D	E	F	H	Close	Open	
○ 86000 ● 86000B	UCT 204	20	64	99	88	47	76	23,5	12	27,5	89801	89851	
○ 86001 ● 86001B	UCT 205	25	64	99	88	47	76	23,5	12	27,5	89802	89852	
○ 86002 ● 86002B	UCT 206	30	76	125	102	63	90	30,5	12	34,5	89803	89853	
○ 86003 ● 86003B	UCT 207	35	76	125	102	63	90	30,5	12	34,5	89804	89854	
○ 86004 ● 86004B	UCT 208	40	140	114	80	102	33,5	16	38,5	70	89805	89855	

For blue caps, add "B" to the code (e.g.: 89801B)

The **UCT hygienic bearings - solid version** are made in reinforced polypropylene with good mechanical strength and excellent resistance against corrosive chemicals such as water, oils, petrol and liquids containing alcohol. Bearings are made in stainless steel, with 2,5° adjustment. They can be used at temperature between 0°C and +80°C.

FIXING POINT



SOLID



WITH CLOSE CAP

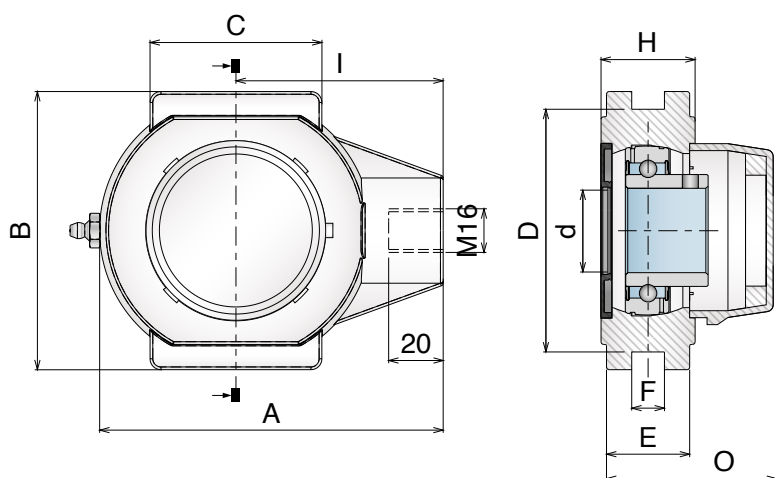


UCT GRUB SCREW

WATERTIGHT BEARINGS - SOLID VERSION

Main features:

- Housing in reinforced polypropylene
- Stainless steel ball bearing (pre-lubricated)
- Stainless steel mounting hole spacers
- Stainless steel grease nipple 1/8" GAS
- Polypropylene closed cap with O-ring seal
- Washer for grease nipple in PE
- NBR bottom seal



FIXING METHOD



GRUB SCREW

Stainless Steel

For open version see pag 81

Article-Number	Series	d	I	A	B	C	D	E	F	H	O
○ 86020 ● 86020B	UCT 204	20	64	99	88	47	76	23,5	12	27,5	46,5
○ 86021 ● 86021B	UCT 205	25	64	99	88	47	76	23,5	12	27,5	46,5
○ 86022 ● 86022B	UCT 206	30	76	125	102	63	90	30,5	12	34,5	60
○ 86023 ● 86023B	UCT 207	35	76	125	102	63	90	30,5	12	34,5	62
○ 86024 ● 86024B	UCT 208	40	140	114	80	102	33,5	16	38,5	70	76

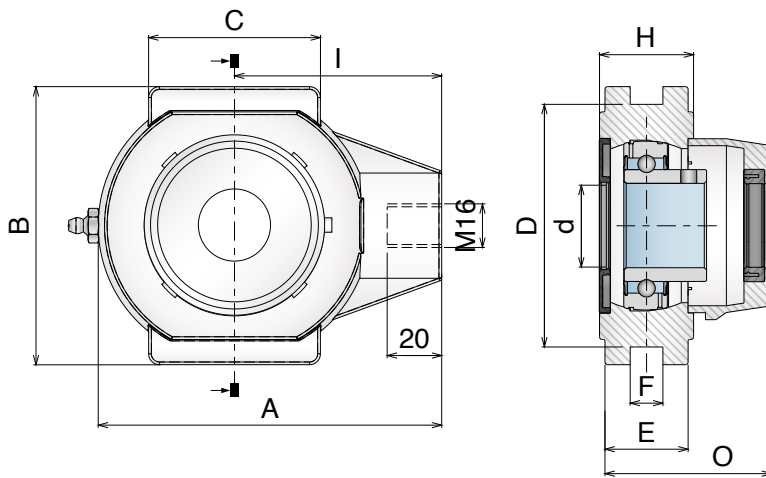
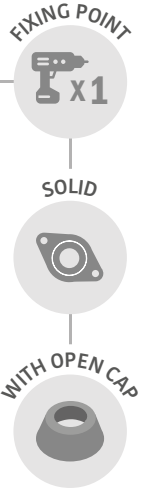
The **UCT watertight hygienic bearings** are made in reinforced polypropylene with good mechanical strength and excellent resistance against corrosive chemicals such as water, oils, petrol and liquids containing alcohol. The bearing has a watertight PP cover for sealing, preventing dirt and bacteria from penetrating and increasing the life of the insert. Bearings are made in stainless steel, with 2,5° adjustment. They can be used at temperature between 0°C and +80°C.

UCT GRUB SCREW

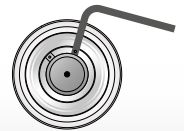
WATERTIGHT BEARINGS - SOLID VERSION

Main features:

- Housing in reinforced polypropylene
- Stainless steel ball bearing (pre-lubricated)
- Stainless steel mounting hole spacers
- Stainless steel grease nipple 1/8" GAS
- Polypropylene open cap with O-ring seal & NBR top seal
- Washer for grease nipple in PE
- NBR bottom seal



FIXING METHOD



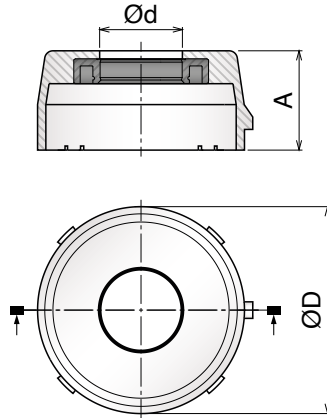
GRUB SCREW

Stainless Steel		Article-Number	Series	d	I	A	B	C	D	E	F	H	O
○	●	86030 / 86030B	UCT 204	20	64	99	88	47	76	23,5	12	27,5	46,5
○	●	86031 / 86031B	UCT 205	25	64	99	88	47	76	23,5	12	27,5	46,5
○	●	86032 / 86032B	UCT 206	30	76	125	102	63	90	30,5	12	34,5	60
○	●	86033 / 86033B	UCT 207	35	76	125	102	63	90	30,5	12	34,5	62
○	●	86034 / 86034B	UCT 208	40	140	114	80	102	33,5	16	38,5	70	76

The **UCT watertight hygienic bearings** are made in reinforced polypropylene with good mechanical strength and excellent resistance against corrosive chemicals such as water, oils, petrol and liquids containing alcohol. The bearing has a watertight PP cover for sealing, preventing dirt and bacteria from penetrating and increasing the life of the insert. Bearings are made in stainless steel, with 2,5° adjustment. They can be used at temperature between 0°C and +80°C.

898 Open clip-on hygienic safety cap

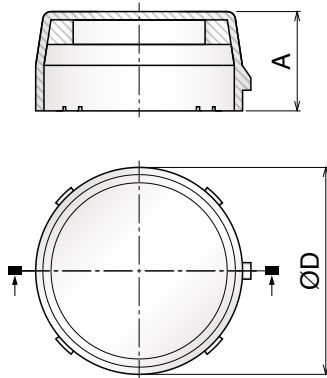
Delivery: **Easy**
Standard



Color / Article - Nr.	ØD	Ød	A	Series
○ 89851	50	20	23	204
● 89851B	50	20	23	
○ 89852	55	25	25	205
● 89852B	55	25	25	
○ 89853	64	30	30	206
● 89853B	64	30	30	
○ 89854	73	35	32	207
● 89854B	73	35	32	
○ 89855	84	40	38	208
● 89855B	84	40	38	

898 Closed clip-on hygienic safety cap

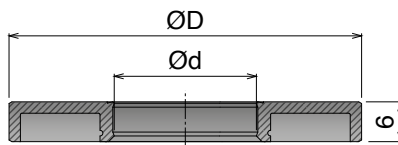
Delivery: **Easy**
Standard



Color/Article-Nr.	ØD	A	Series
○ 89801	50	23	204
● 89801B	50	23	
○ 89802	55	25	205
● 89802B	55	25	
○ 89803	64	30	206
● 89803B	64	30	
○ 89804	73	32	207
● 89804B	73	32	
○ 89805	84	38	208
● 89805B	84	38	

897 Hygienic sealing ring

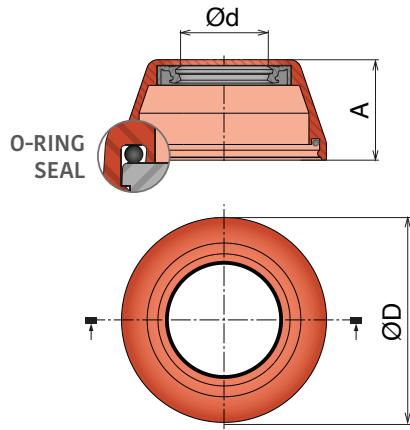
Delivery: **Easy**
Standard



Color/Article - Nr.	ØD	Ød	Series
● 89701	52	20	204
● 89701B	52	20	
● 89702	62	25	205
● 89702B	62	25	
● 89703	72	30	206
● 89703B	72	30	
● 89704	82	35	207
● 89704B	82	35	
● 89705	88	40	208
● 89705B	88	40	

890 Open clip-on safety cap

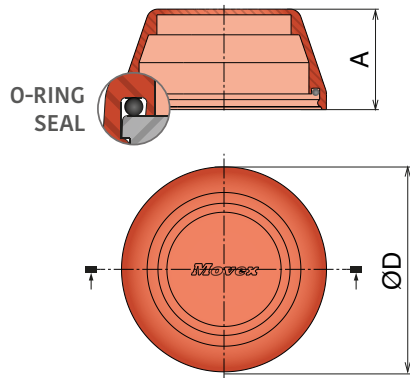
Delivery: **Easy**
Standard



Article-Nr.	Ød	ØD	A
89057-20	20	56	29.4
89054-20	20	59	31
89051-20	20	68	29
89051-25	25	68	29
89055-25	25	71	35.2
89055-30	30	71	35.2
89052-30	30	79	35
89053-35	35	90	40
89053-40	40	90	40

890 Closed clip-on safety cap

Delivery: **Easy**
Standard



Article-Nr.	ØD	A
89007	56	29.4
89004	59	31
89001	68	29
89005	71	35.2
89002	79	35
89003	90	40



movexii.com

BEARING SUPPORTS

Movex[®]

Movex S.p.A. a socio unico

Headquarters

Viale Industria, 22
24060 Castelli Calepio (BG)

P +39 035 8359711

F +39 035 4420873

Logistics Center

Via Repubblica, 25
24060 Castelli Calepio (BG)

info@movexii.com

www.movexii.com

Movex worldwide

Movex GmbH

P +49-6204-9375-0

Movex Brasil Ltda

P +55-15-3141-2550

Movex France

P +39-335-8085980

Movex AG India

P +91-120-4159660-62

Movex UK Ltd.

P +44-77-20678442

Movex Nederland

P +31-630-994850

Movex USA Inc.

P +1-919-274-5477

Movex SA de CV

P +52-1-3318458187

Movex CIS Countries

P +39-348-7769760