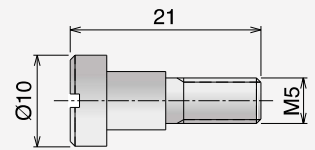


Comb Pettine Combs / Fingerplatte



Two screw included



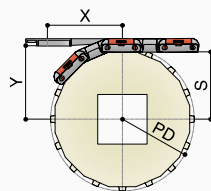
For assembly instructions refers to Movex engineering manual available on our website.

Type A

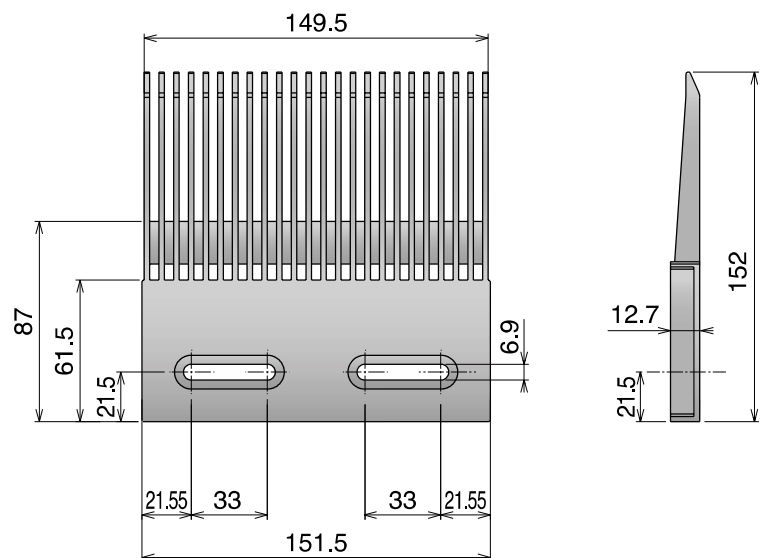
Part	Article-Nr.
389	38901

Combs integration with sprockets

see table below for dimensions



Z-	PD (mm)	S (mm)	X (mm)	Y (mm)
10	164,4	74,2	114,3	85,5
12	196,3	90,1	114,3	101,4
13	212,3	98,1	114,3	109,4
16	260,4	122,2	114,3	133,5

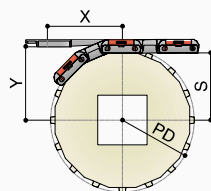


Type B

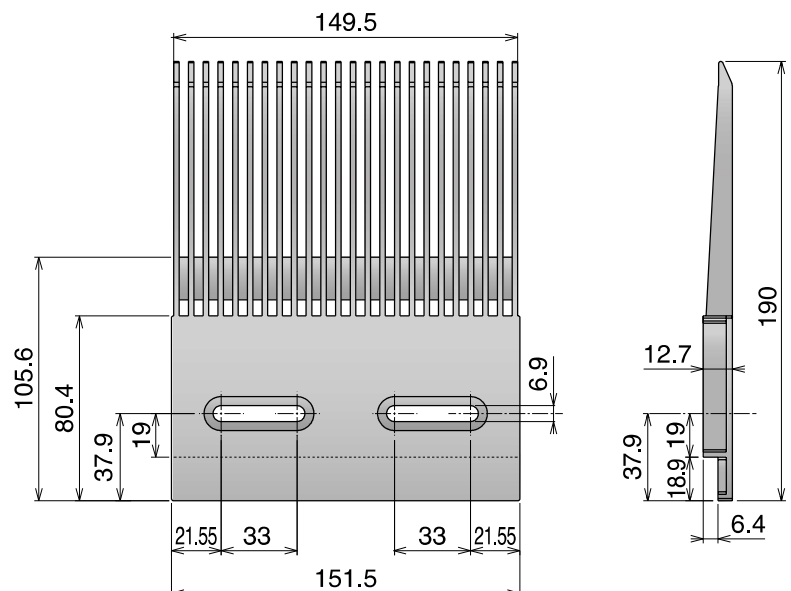
Part	Article-Nr.
389	38902

Combs integration with sprockets

see table below for dimensions

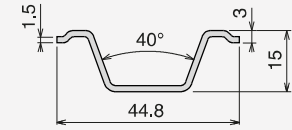


Z-	PD (mm)	S (mm)	X (mm)	Y (mm)
10	164,4	74,2	135,9	85,5
12	196,3	90,1	135,9	101,4
13	212,3	98,1	135,9	109,4
16	260,4	122,2	135,9	133,5



NEW **Comb Quick-link version** Pettine
Combs / Fingerplatte

Used with Stainless steel profile



Art-Nr.	Availability	Supply
38960C	Stock item	3 m bars
38960	On request	6 m bars

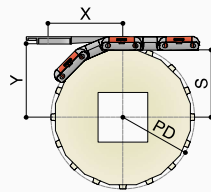
This profile has to be ordered separately.

Type A

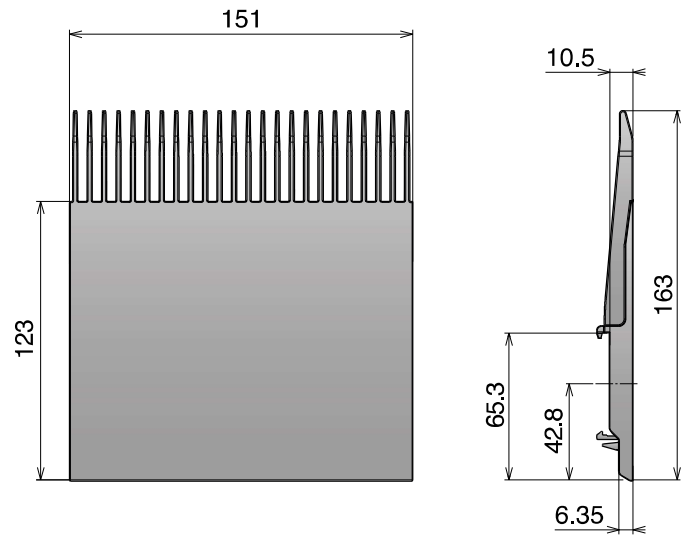
Part	Article-Nr.
389	38951

Combs integration with sprockets

see table below for dimensions



Z-	PD (mm)	S (mm)	X (mm)	Y (mm)
10	164,4	74,2	122	72,7
12	196,3	90,1	122	88,6
13	212,3	98,1	122	96,6
16	260,4	122,2	122	120,7

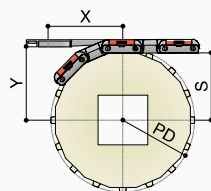


Type B

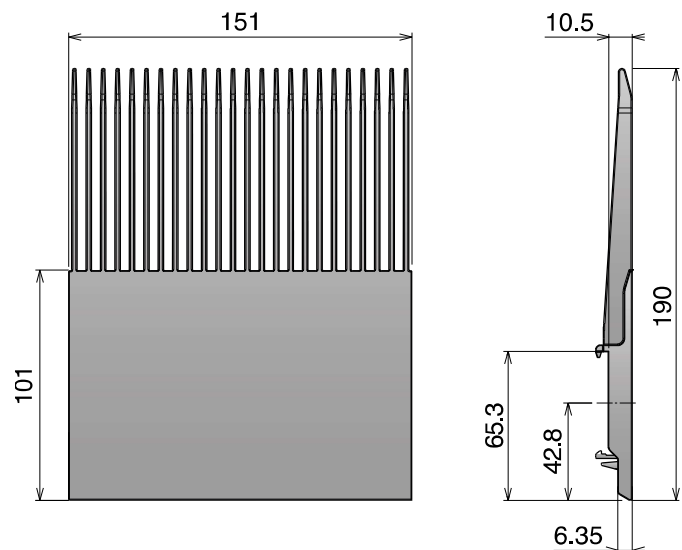
Part	Article-Nr.
389	38952

Combs integration with sprockets

see table below for dimensions



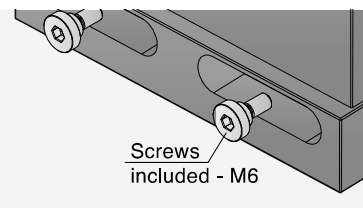
Z-	PD (mm)	S (mm)	X (mm)	Y (mm)
10	164,4	74,2	110	72,7
12	196,3	90,1	114	88,6
13	212,3	98,1	116	96,6
16	260,4	122,2	122	120,7



NEW AT-Comb ACTIVE TRANSFER COMB

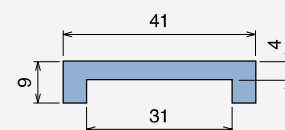


Two screw included

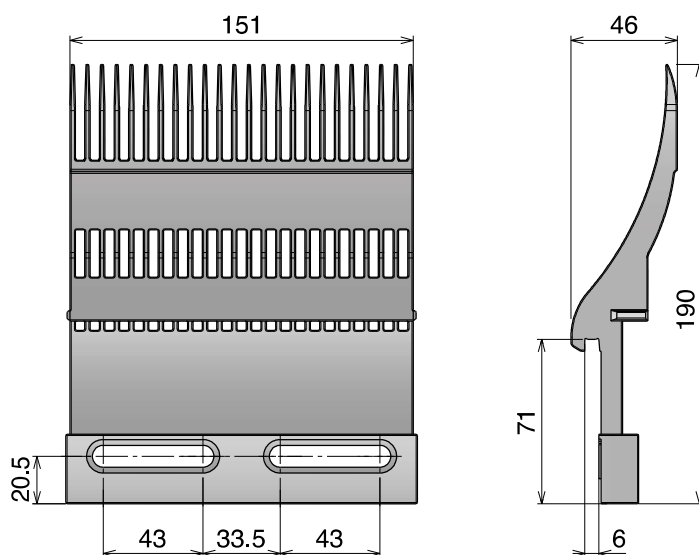


For assembly instructions refers to Movex engineering manual available on our website.

Used with U-profile Part. 111



BluLub® material recommended



Art-Nr.	Availability	Supply
11101BC	Stock item	3 m bars
11101B	On request	6 m bars
11101B-30	On request	30 m coils

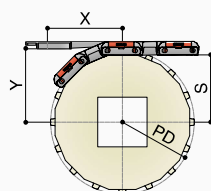
This profile has to be ordered separately.

At Comb

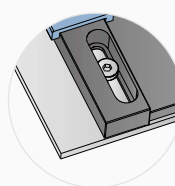
Part	Article-Nr.
389	38971

Combs integration with sprockets

see table below for dimensions



Z-	PD (mm)	S (mm)	X (mm)	Y (mm)
10	164,4	74,2	166,5	64,2
12	196,3	90,1	167,5	80,1
13	212,3	98,1	168,5	88,1
16	260,4	122,2	169,5	112,2



Fixing system (Screw included)

