

CC 600-CC 600 TAB

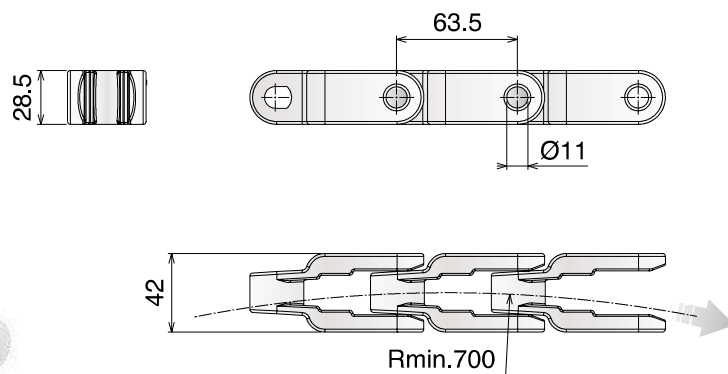
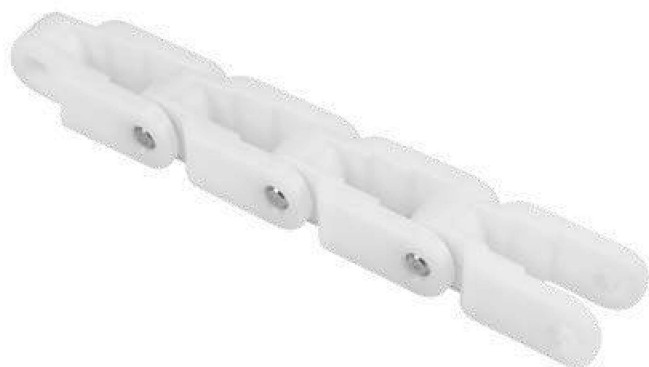
Catene in plastica / Plastic chains / Kunststoffkette

CC 600

Catena curvilinea
Sideflexing chain / Kurvengängige Scharnierbandkette

Delivery: **Easy** Standard

Pins: Stainless Steel | Backflex radius min.: 50 mm



10 feet 3,048 m	pg. 97	pg. 651>661
48 links		

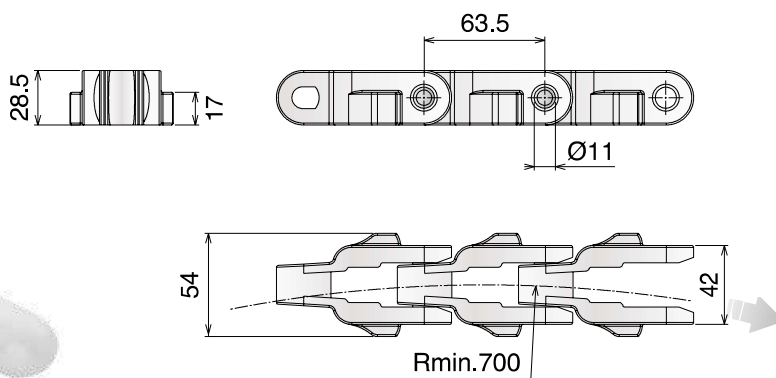
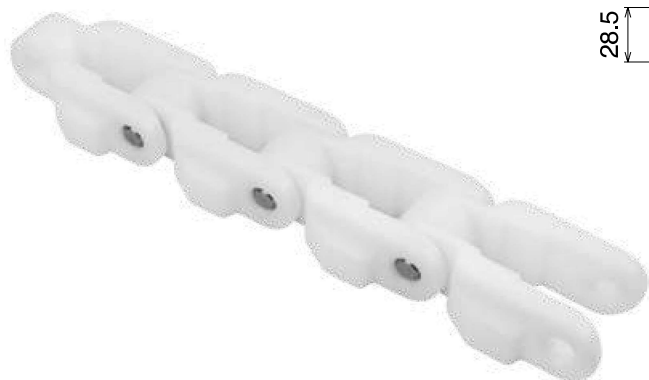
Article-Nr.	Ref.	Plate Width mm	Weight kg/m	Max working load N	Material
11220400	CC 600	42	1,35	4000	LFN
11220300	CC 600	42	1,35	3200	MX

CC 600 TAB

Catena curvilinea
Sideflexing chain / Kurvengängige Scharnierbandkette

Delivery: **Easy** Standard

Pins: Stainless Steel | Backflex radius min.: 50 mm



TAB SYSTEM

10 feet 3,048 m	pg. 97	pg. 651>661
48 links		

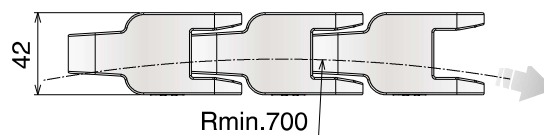
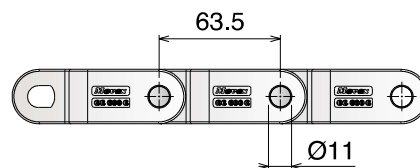
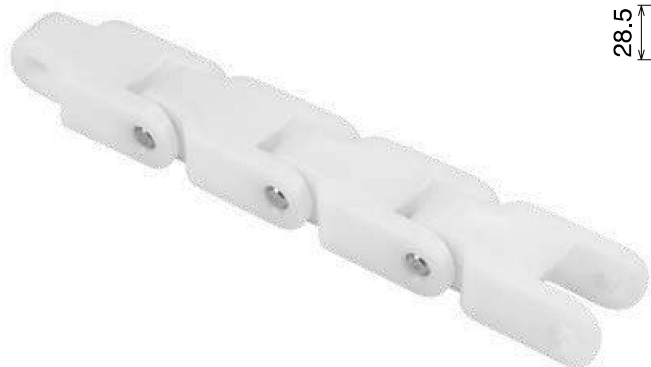
Article-Nr.	Ref.	Plate Width mm	Weight kg/m	Max working load N	Material
11230400	CC 600 TAB	42	1,45	4000	LFN
11230300	CC 600 TAB	42	1,45	3200	MX

CC 600 D

Catena curvilinea
Sideflexing chain / Kurvengängige Scharnierbandkette

Delivery: **Easy** Standard

Pins: Stainless Steel | Backflex radius min.: 50 mm



48 links



pg. 97



pg. 651->661

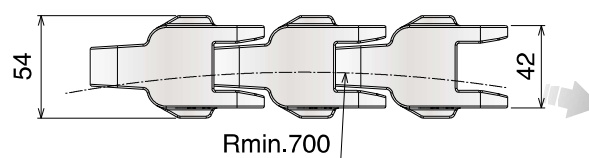
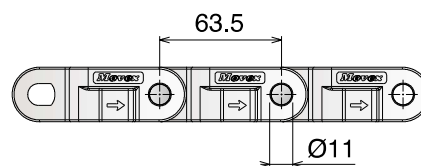
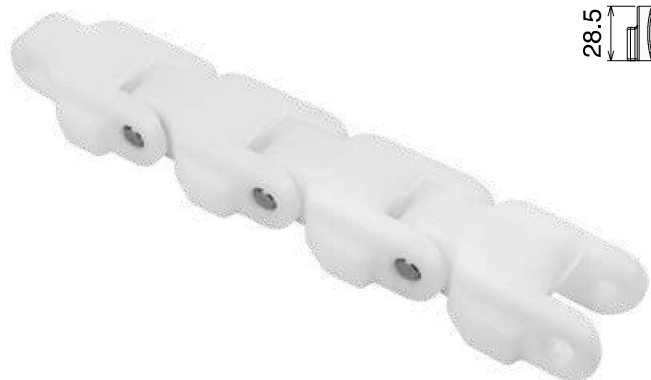
Article-Nr.	Ref.	Plate Width mm	Weight kg/m	Max working load N	Material
11220410	CC 600 D	42	1,40	4000	LFN
11220310	CC 600 D	42	1,40	3200	MX

CC 600 D TAB

Catena curvilinea
Sideflexing chain / Kurvengängige Scharnierbandkette

Delivery: **Easy** Standard

Pins: Stainless Steel | Backflex radius min.: 50 mm



TAB SYSTEM



48 links



pg. 97



pg. 651->661

Article-Nr.	Ref.	Plate Width mm	Weight kg/m	Max working load N	Material
11230410	CC 600 D TAB	42	1,55	4000	LFN
11230310	CC 600 D TAB	42	1,55	3200	MX

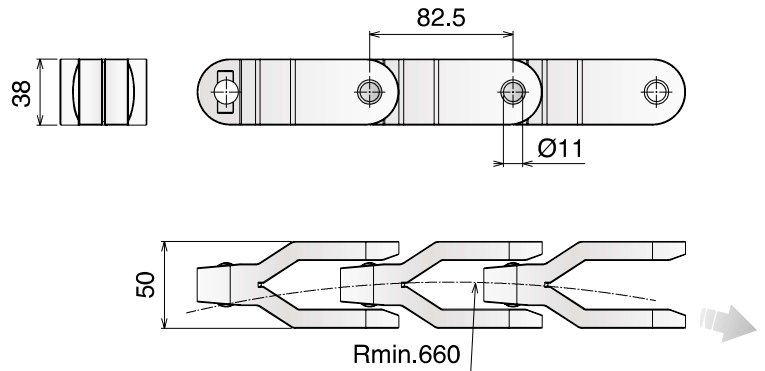
CC 1400-CC 1400 TAB

Catene in plastica / Plastic chains / Kunststoffkette

CC 1400

Catena curvilinea
Sideflexing chain / Kurvengängige Scharnierbandkette

Pins: Stainless Steel | Backflex radius min.: 50 mm

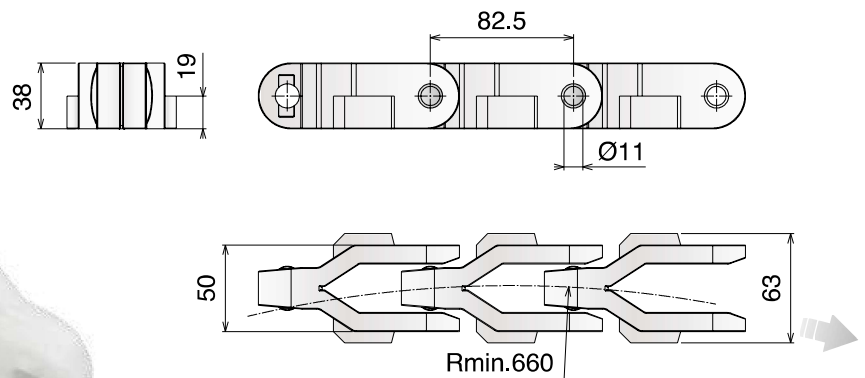


Article-Nr.	Ref.	Plate Width mm	Weight kg/m	Max working load N	Material
11300400	CC 1400	50	3,24	6500	LFN
11300300	CC 1400	50	3,24	5200	MX

CC 1400 TAB

Catena curvilinea
Sideflexing chain / Kurvengängige Scharnierbandkette

Pins: Stainless Steel | Backflex radius min.: 50 mm

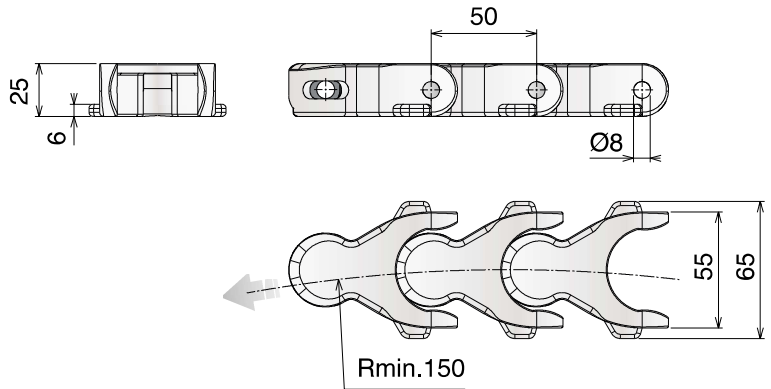


Article-Nr.	Ref.	Plate Width mm	Weight kg/m	Max working load N	Material
11310400	CC 1400 TAB	50	3,24	6500	LFN
11310300	CC 1400 TAB	50	3,24	5200	MX

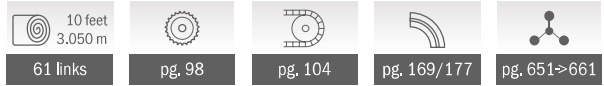
1701 TAB OP

Catena curvilinea
Sideflexing chain / Kardankette

Pins: Stainless Steel | Backflex radius min.: 50 mm



TAB SYSTEM



Article-Nr.	Ref.	Plate Width mm	Weight kg/m	Max working load N	Material
11360400	LF 1701 TAB OP	55	1,40	2700	LFN

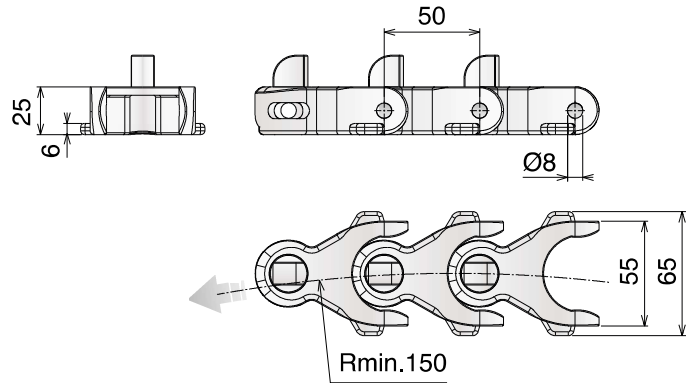
1701 TAB OPF

Catene in plastica / Plastic chains / Kunststoffkette

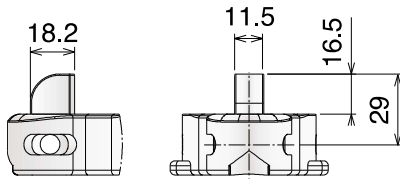
1701 TAB OPF

Catena curvilinea
Sideflexing chain / Kardankette

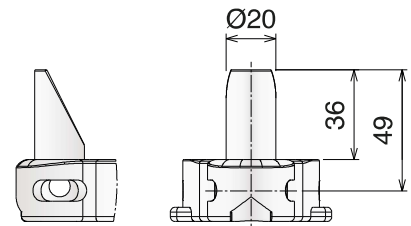
Pins: Stainless Steel | Backflex radius min. Type A/B/C: 100 mm | Backflex radius min. Type D: 120 mm



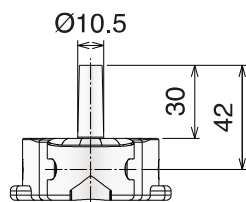
Type A



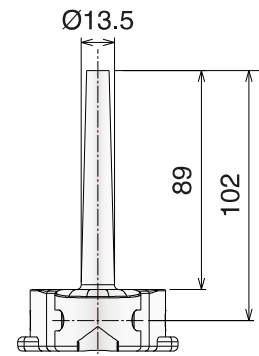
Type B








Type C



Type D



TAB SYSTEM

 10 feet 3.050 m	 pg. 98	 pg. 104	 pg. 169/177	 pg. 651->661
61 links				

Article-Nr.	Ref.	Plate Width mm	Weight kg/m	Max working load N	Material
11360400-FA	1701 TAB Type A	55	1,60	2700	LFN
11360400-FB	1701 TAB Type B	55	1,60		
11360400-FC	1701 TAB Type C	55	2,00		
11360400-FD	1701 TAB Type D	55	2,30		

 Core product range

 Available from stock in Leicester

 Available from stock in Italy

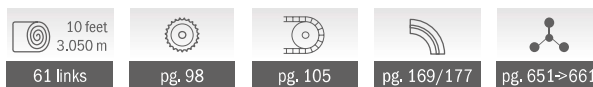
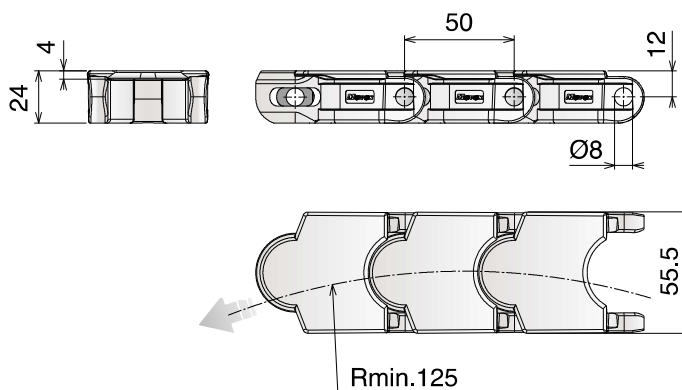
 Produced to order in Italy

Movex

1706

Catena curvilinea
Sideflexing chain / Kardankette

Pins: Stainless Steel | Backflex radius min.: 80 mm

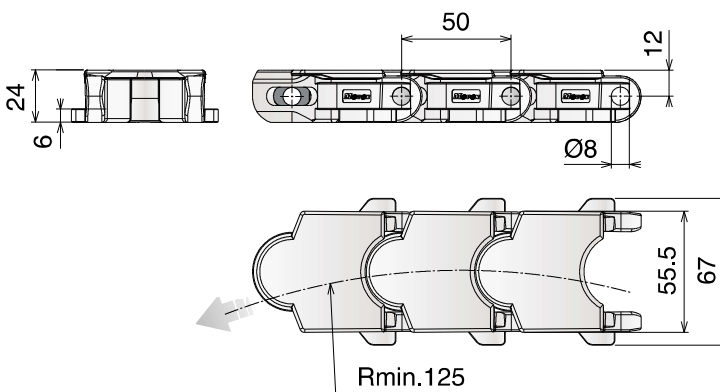


Article-Nr.	Ref.	Plate Width mm	Weight kg/m	Max working load N	Material
11720400	LF 1706	55,5	1,35	2300	LFN
11720300	MX 1706	55,5	1,35	1900	MX

1706 TAB

Catena curvilinea
Sideflexing chain / Kardankette

Pins: Stainless Steel | Backflex radius min.: 80 mm



TAB SYSTEM



Article-Nr.	Ref.	Plate Width mm	Weight kg/m	Max working load N	Material
11730400	LF 1706 TAB	55,5	1,38	2300	LFN
11730300	MX 1706 TAB	55,5	1,38	1900	MX

765 NO GAP

Catene in plastica / Plastic chains / Kunststoffkette

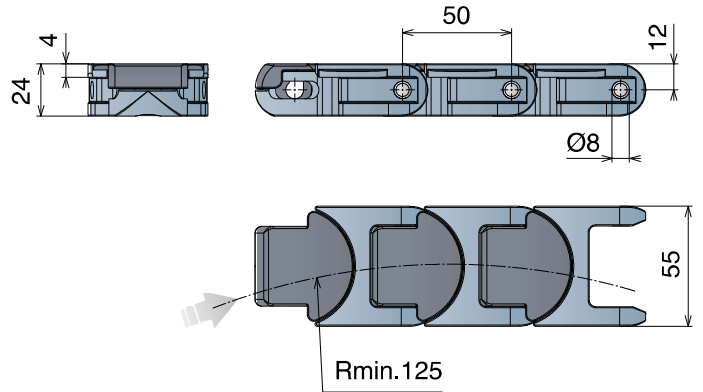
765 NO GAP

Catena curvilinea
Sideflexing chain / Kardankette

UPDATED MATERIALS

Delivery: **Easy** **Standard**

Pins: Stainless Steel | Backflex radius min.: 50 mm



Article-Nr.	Ref.	Plate Width mm	Weight kg/m	Max working load N	Frame Material	Plate Material
11940100	765 LFA NO GAP	55	1,46	2670	LFA	MX
11940300	765 MX NO GAP	55	1,46	2200	MX	MK



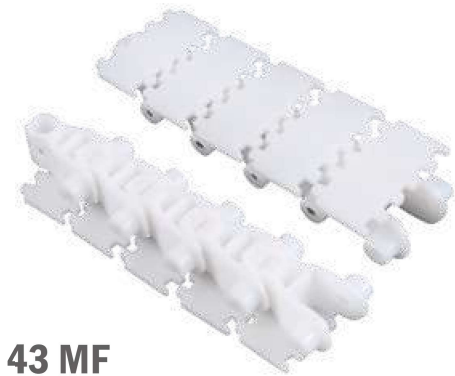
Advantages:

- Improved safety
- Product stability
- Ideal to transport small products

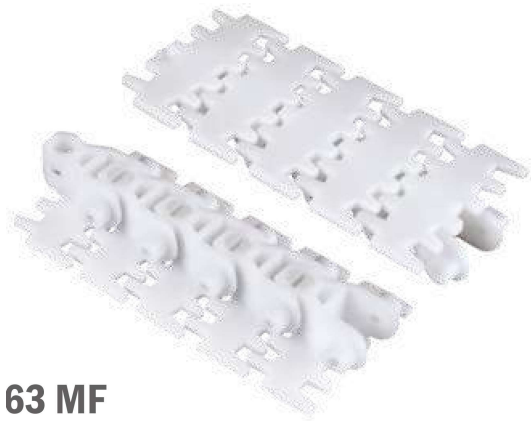
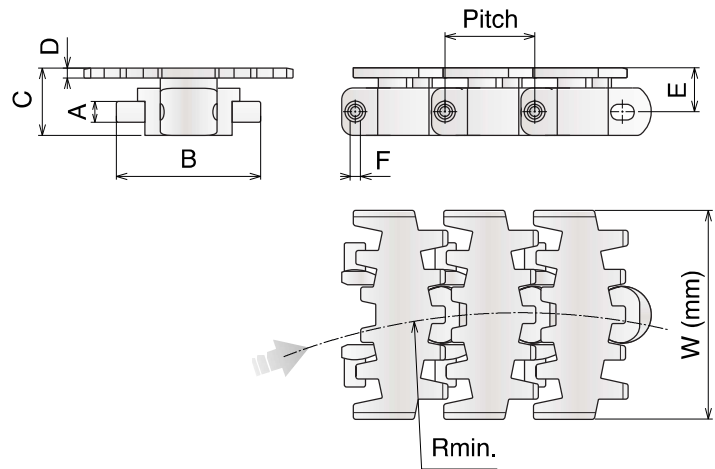
43 MF-63 MF-83 MF-103 MF

Catena curvilinea
Sideflexing chain / Kardankette

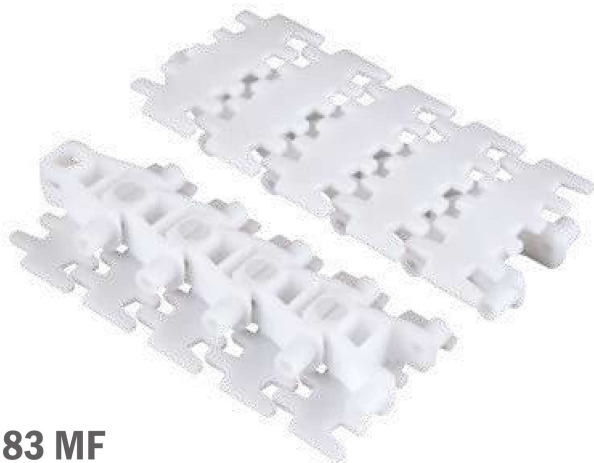
Pins: Stainless Steel | Backflex radius min.: 80 mm



43 MF



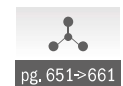
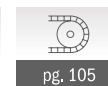
63 MF



83 MF



103 MF



Article-Nr.	Ref.	W (Plate Width) mm	A mm	B mm	C mm	D mm	E mm	F mm	Weight kg/m	Pitch	Radius min.	Links	Max working load N	Material
12010400	43 MF	43	8,25	35	22	3	13,25	4	0,60	25,4	140	3.048 (120 links)	2100	LFN
12010401	63 MF	63	8,25	35	22,5	3,5	13,75	4	0,80	25,4	150	3.048 (120 links)		
12010402	83 MF	83	11	58	27	4	17	6	1,70	33,5	160	3.015 (90 links)		
12010403	103 MF	103	12	75	26	4,5	17,5	6	2,00	35,5	170	3.195 (90 links)		

83 M-140 M

Catene in plastica / Plastic chains / Kunststoffkette

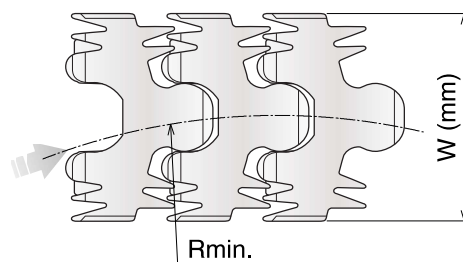
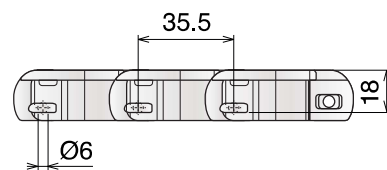
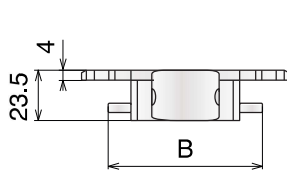
83 M-140 M

Catena curvilinea
Sideflexing chain / Kardankette

Pins: Stainless Steel | Backflex radius min.: 150 mm



83 M



140 M



80 links



pg. 101



pg. 106



pg. 651>661

Article-Nr.	Ref.	W (Plate Width) mm	B mm	Weight kg/m	Pitch	Radius min.	Max working load N	Material
12020402	83 M	83	63	1,35	35,5	150	2100	LFN
12020404	140 M	140	63	2,10	35,5	250		

Oadby Core product range

Available from stock in Leicester

Easy Available from stock in Italy

Standard Produced to order in Italy

Movex