



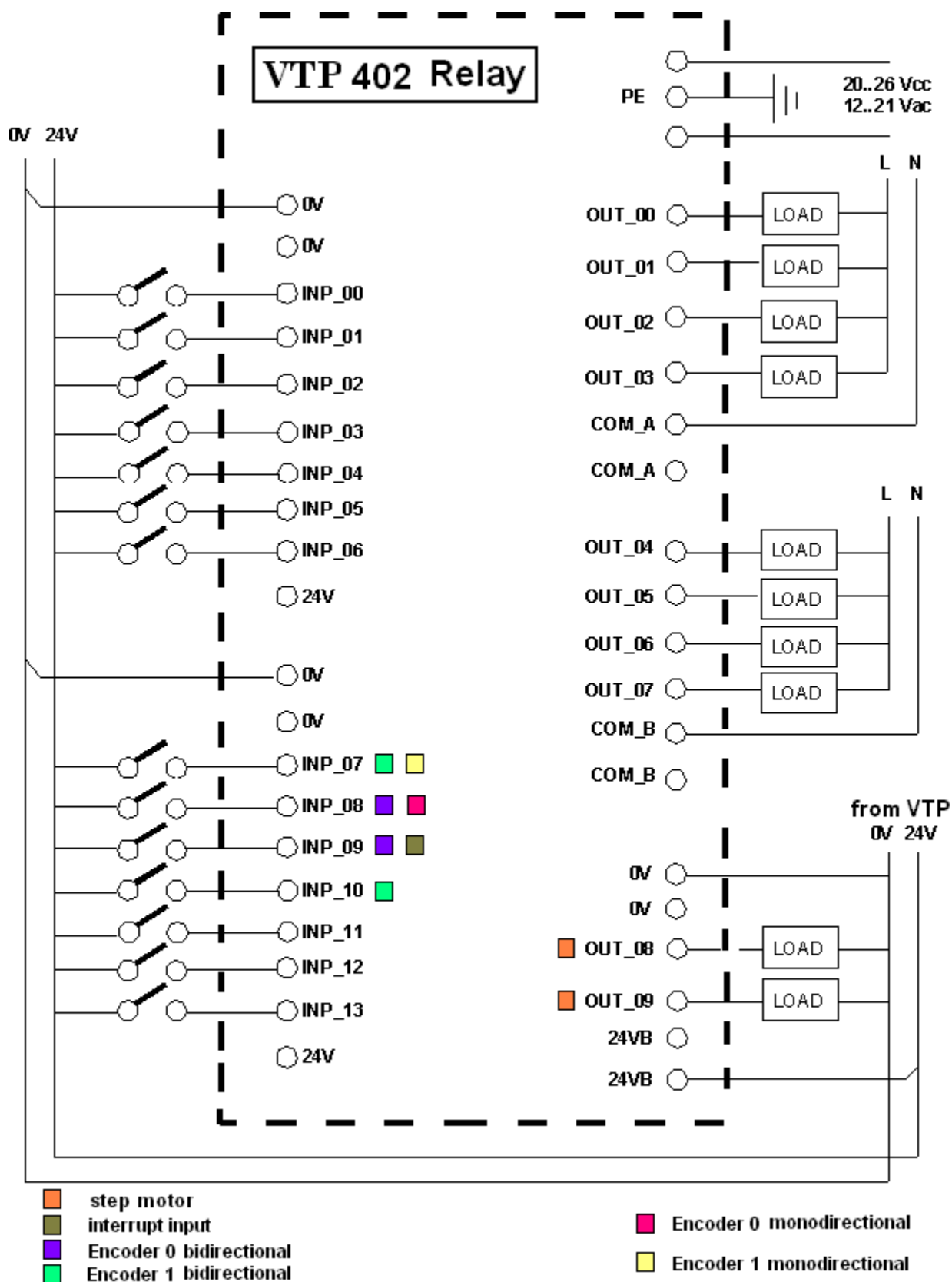
VTP 402

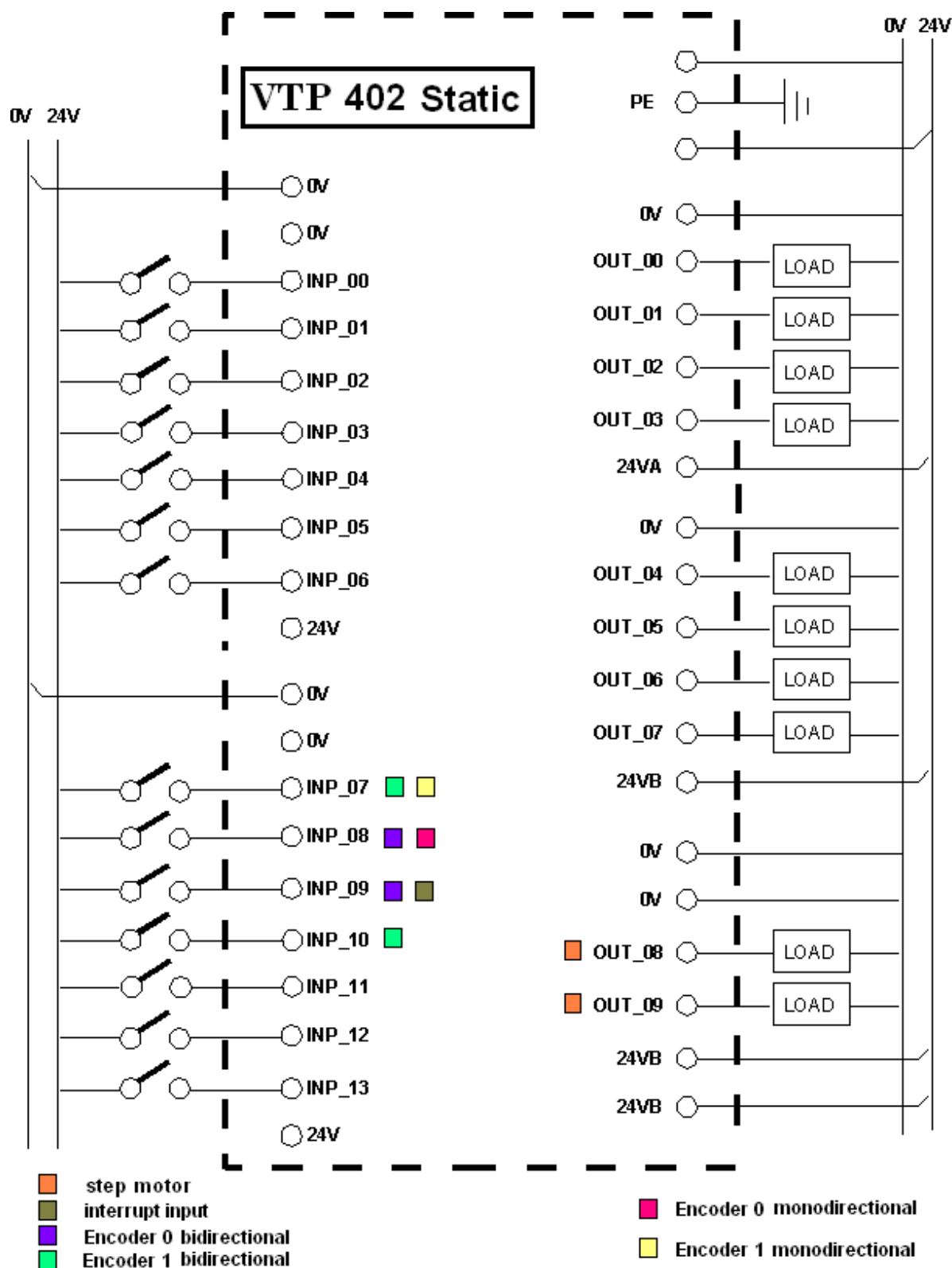


Operator panel with integrated PLC

- Relay or static outputs
- High speed (2msec. standard cycle time)
- Contact programming with Ladder language
- Function for Recipe management, Step Motor, P.I.D. Regulator, Print etc ...

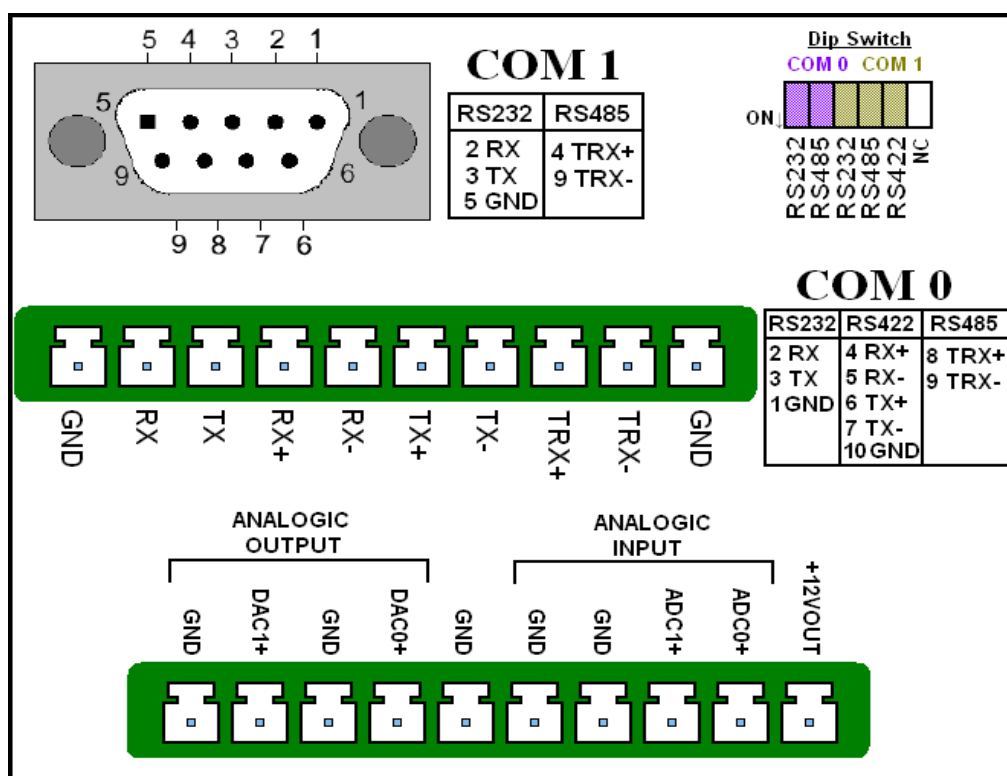
ELECTRIC CHARACTERISTICS	
Power supply voltage	Min 20Vcc ; Max 26 Vcc Min 15 Vac ; Max 21 Vac
Current Consumption	Under 150mA without loads
Microprocessor	Hitachi H8S/2145B @ 20MHz
Program Memory	32 KB
Pages Memory	32 KB
E ² PROM	16 KB
Cycle Time	Programmable (min 1 msec.)
Digital Inputs	14 digital inputs PNP at 24 Volts of which 4 fast input (5KHz for encoder reading) with programmable anti-noise filter (value 1...16)

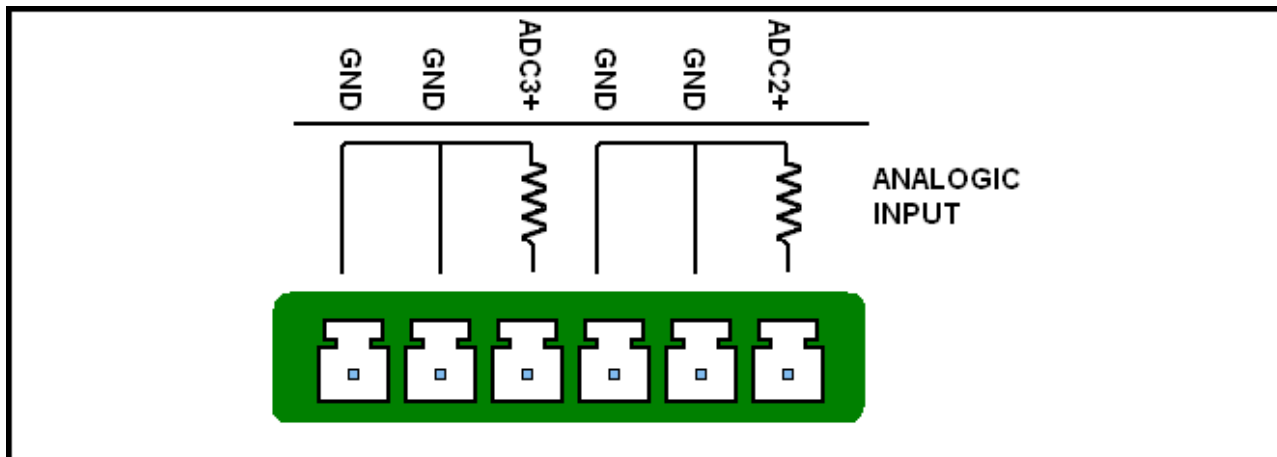






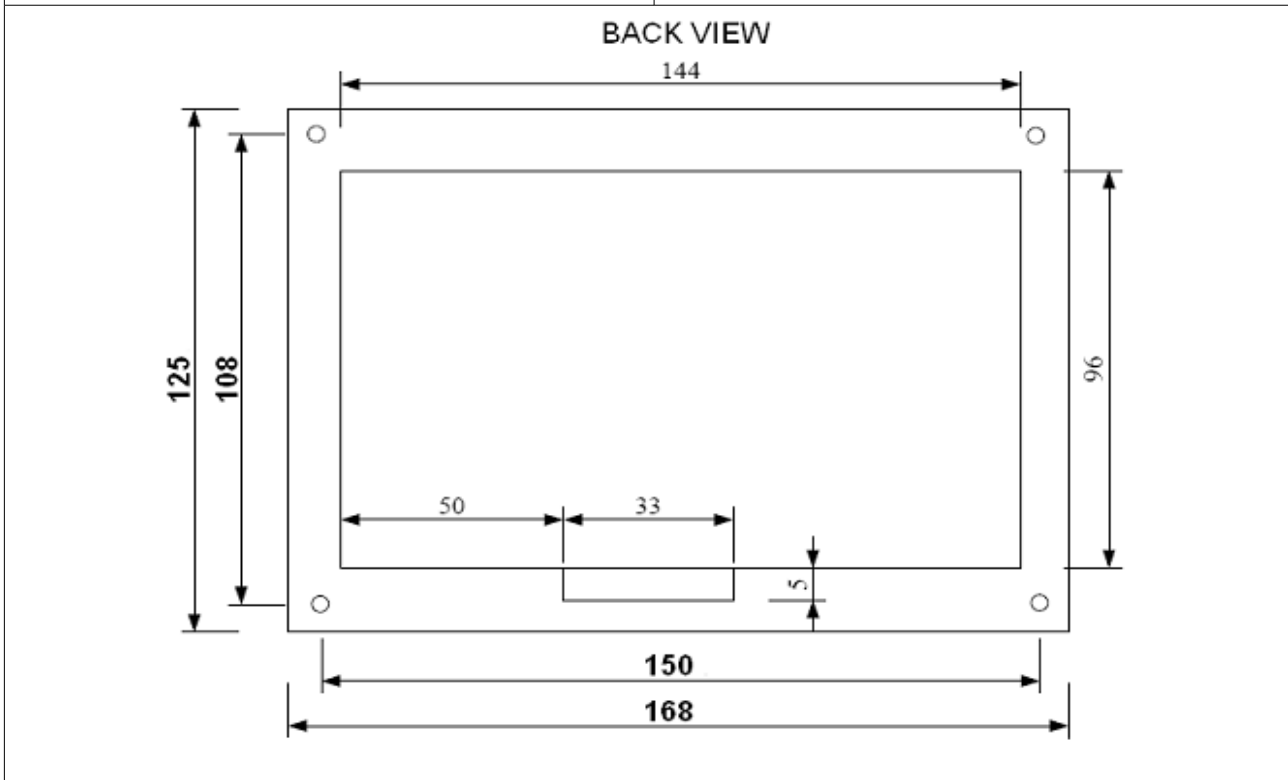
Analog Inputs	4 configurable analog inputs, 10bits. 2 inputs for voltage, current , PT100 or TMC and 2 inputs only for voltage or current.
Digital Outputs	10 PNP static outputs 24V and 500mA or 8 relay outputs and 2 static out at 1A
Analog Outputs	2 analog outputs 0...10V 10 bits resolution [0...255]
Plugged RAM	79 words any 100 msec automatically copy into plugged RAM (for a term of 1 year)
RTC	Extern real time clock with plugged calendar and clock with rechargeable battery . (for a term of 1 year)
Serial Lines	<p>2 serial lines (COM 0 , COM 1) .</p> <p>COM 0 : It could be used in RS232 , RS485 or RS422 with many different standard communication protocols for connect other devices (I/O expansions , termoregulators , inverters or network connection) .</p> <p>COM 1 : It is RS232 or RS485 mode and it's use like COM0 , besides for upload applications or operative system .</p>





MECHANICS CHARACTERISTICS

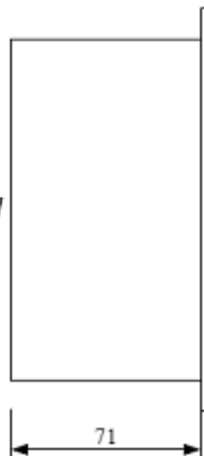
Humidity Range	from -10 °C to +70 °C
Temperature Range	from 10 to 90% (non-condensing)
Operating Atmosphere	Without corrosive gas
Noise Immunity	According to rules in force
Size	Front view 168x125 mm , Depth 71 mm





MECHANICS CHARACTERISTICS

SIDE VIEW



Fixing System	Four M4 pegs
Weight	736 gr
Keyboard	Membrane keyboard on anodized aluminium front part with 8 function buttons (from F1 to F8) and 6 dedicated buttons .
Display	Alphanumeric display 20 characters on 2 rows , with led's backlight . 8 leds on function buttons and one alarm led . On demand available also cyrilic display .

SOFTWARE CHARACTERISTICS

Programming Languages	AWL / Ladder
Timers	64 timers with 16 bits and resolution 1/100 sec . 32 configurable timers one by one like excitation delay or disexcitation delay and 32 only excitation timers . 8 timers free running with 1 msec resolution enabled one by one with system flag .
Counters	32 counters with 16 bits configurable one by one like incremental or decremental .
Data Memory	2048



Developed Functions	<ul style="list-style-type: none">- Week Programming- Recipe Management- Step Motor Management- Encoders Management- P.I.D. Temperature's Regulator- Forwarding/Reception SMS Messages
Memory area check in real time mode on data table (Debug)	●
Ladder's subroutines Import/Export	●
Contact and variable check in real time mode on ladder (Debug Online)	●