



VTF 1604



Operator Panel

- LCD display with high contrast 160 characters and backlight led
- Two serial lines
- Standard communication protocols (Omron , Siemens S7 200 , Modbus , Keyence etc..)
- Customizable function buttons
- On demand : 8 digital I/O and 2 analog output

ELECTRIC CHARACTERISTICS	
Power supply voltage	Min 12Vcc ; Max 26 Vcc Min 10 Vac ; Max 20 Vac
Current Consumption	Under 200 mA
Microprocessor	Hitachi H83337
Pages Memory	512 KB
External E ² PROM	32 KB
Digital Inputs (only if required)	8 digital inputs PNP at 24 Volts , <u>manageble only with WinPager firmware</u> .
Digital Outputs (only if required)	8 digital outputs PNP at 24 Volts , <u>manageble only with WinPager firmware</u> .
Analog Outputs (only if required)	2 analog outputs 0V...+10V , <u>manageble only with WinPager firmware</u> .



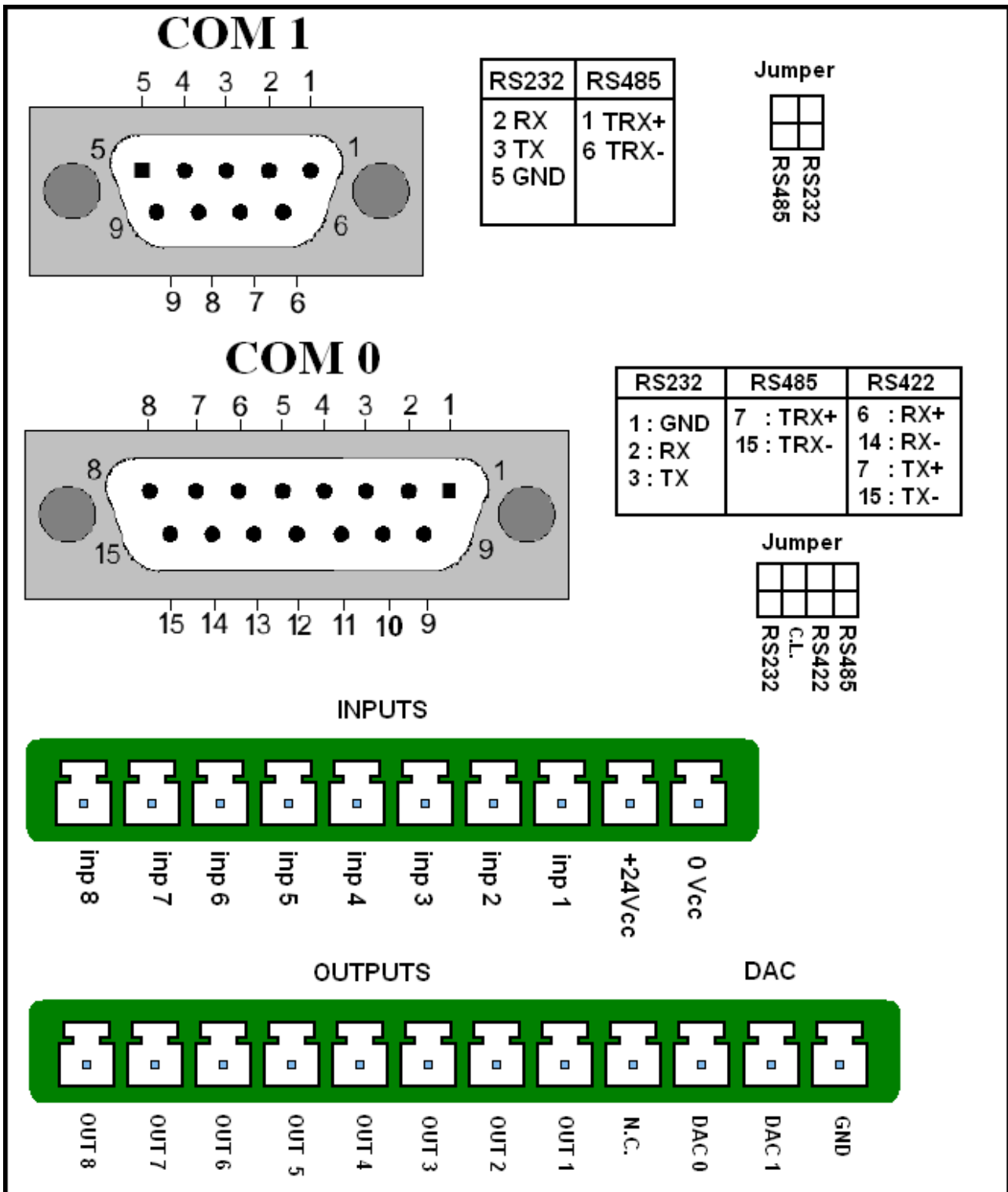
ELECTRIC CHARACTERISTICS

Serial Lines

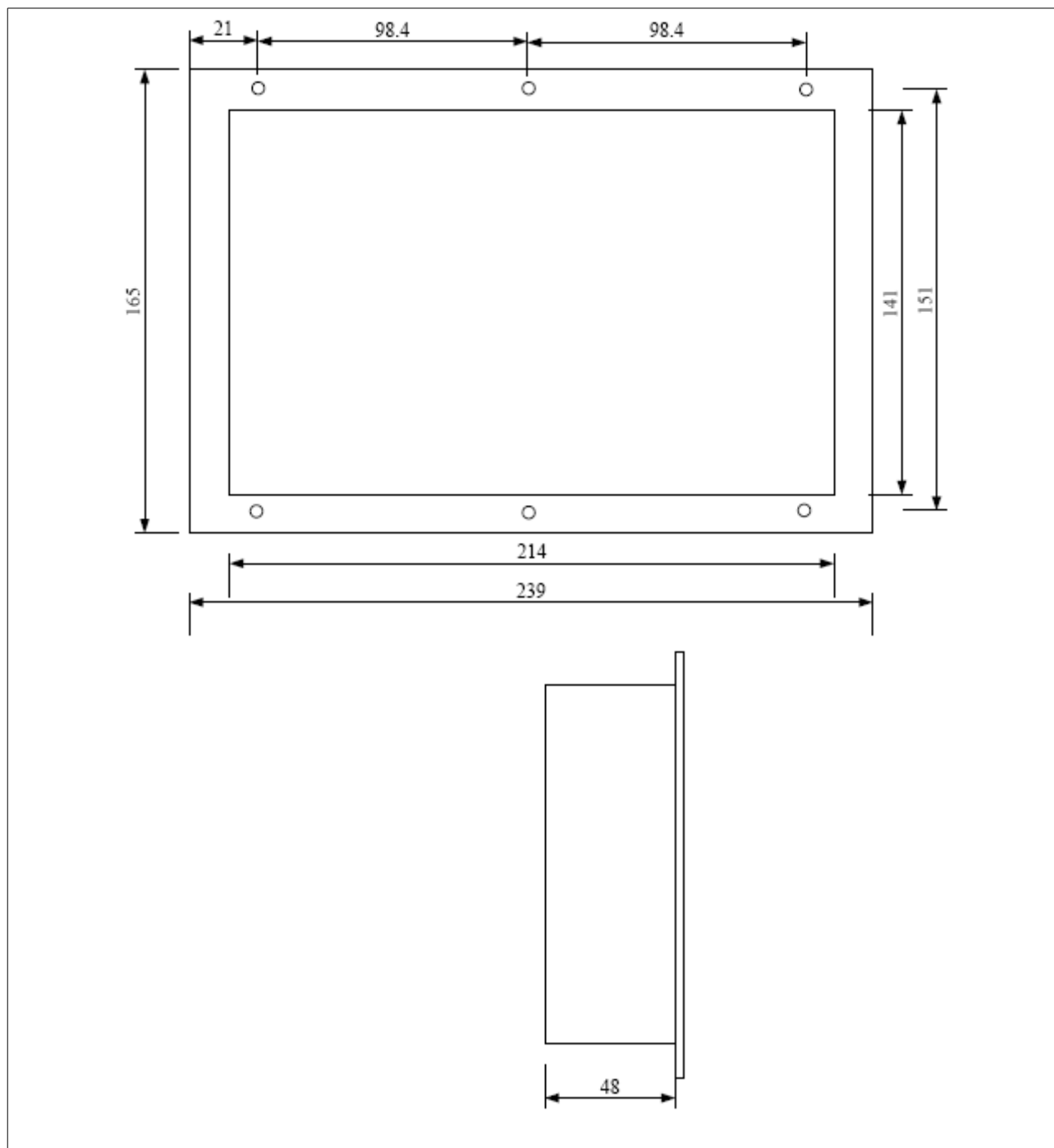
Two serial lines(COM 0 and COM1)

COM 0 : It could be used in RS232 , RS485 or RS422 with many different standard communication protocols for connect other devices .

COM 1 : It could be used in RS232 or RS485 like COM 0 besides , if it's connected to PC in RS232 mode , it's used for transfer the pages .



MECHANICS CHARACTERISTICS	
Humidity Range	from 10 to 90% (non-condensing
Temperature Range	from -10 °C to +70 °C
Operating Atmosphere	Without corrosive gas
Noise Immunity	According to rules in force
Fixing System	Five M4 pegs
Weight	1 Kg
Keyboard	Membrane keyboard on anodized aluminium font part with 20 function buttons (from F 1 to F 20) , 10 dedicated buttons and numeric keyboard from 0 to 9 .
Display	Alphanumeric display 40 characters on 4 rows with led's backlight . 20 leds on function buttons . On demand available also cyrilic display .
Size	Front view 239x165 mm , Depth 48 mm



SOFTWARE CHARACTERISTICS	
Firmware and Programming Software	Flash / WinPager / Free*
Developed Functions	<ul style="list-style-type: none"> • Automatic 6 languages management • Pages and Link management • Variable management • Alarms automatic management
Standard Communication Protocols	<ul style="list-style-type: none"> • Omron • Modbus RTU • Siemens S7 200 • Keyence • Mitsubishi • Kernel • Taian • Hitachi • Matsushita • Shinko • SLC 500

* The Free firmware allow to show on the operator panel display , everything that come on the serial port , so isn't necessary create pages with a programming software .