



# TSP 570



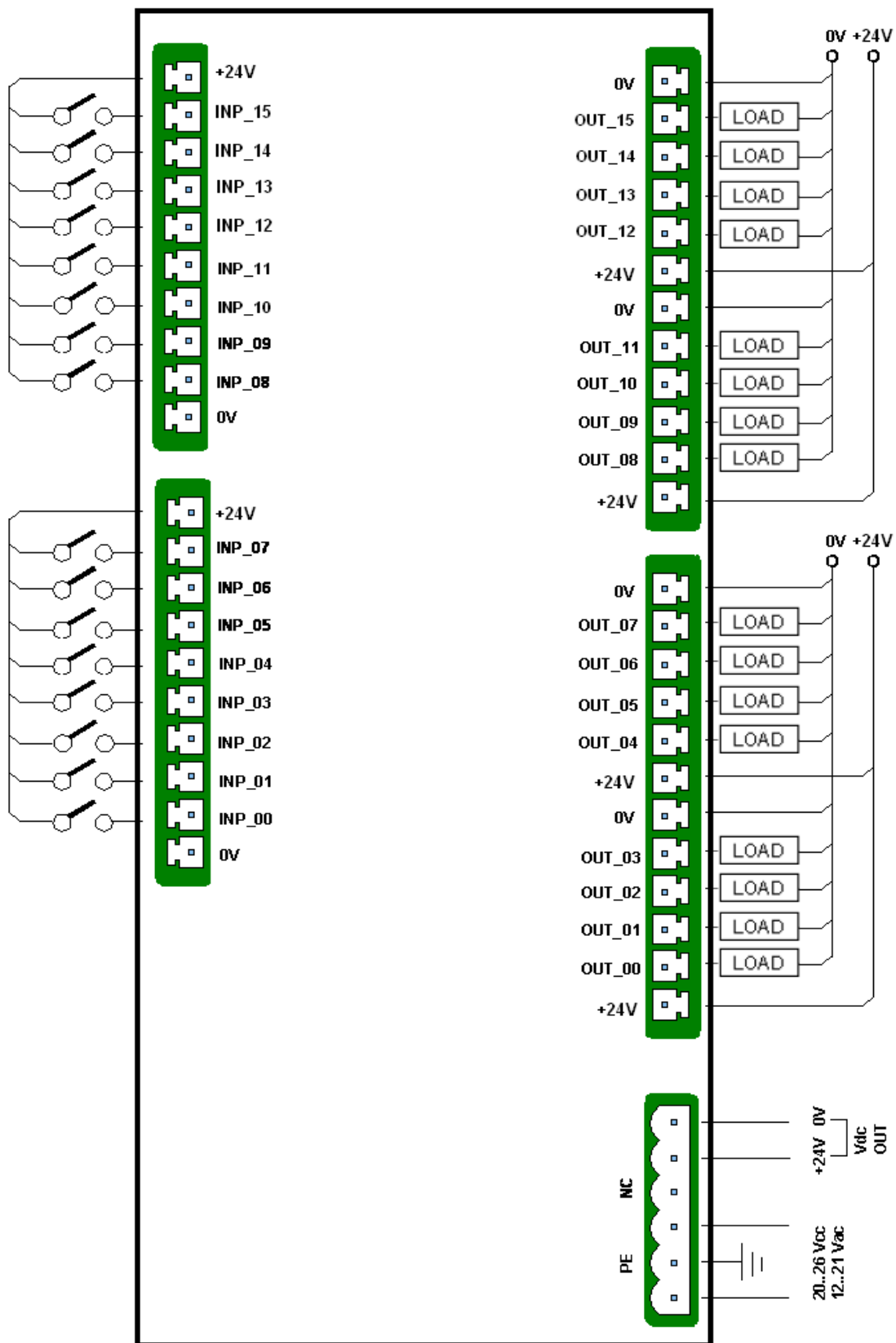
## Operator panel 256 colours with integrated PLC

- Graphic LCD 240 x 320 at 256 colours
- Open Master communication protocol
- Contact programming with Ladder language
- Function for Recipe management , P.I.D. Regulator, etc ...

ELECTRIC CHARACTERISTICS	
Power supply voltage	Min 20Vcc ; Max 26 Vcc Min 15 Vac ; Max 21 Vac
Current Consumption	under 600mA without loads
Microprocessor	Fujitsu MB91467 @ 100MHz
Program Memory	128 KB
Pages Memory	128 KB
E <sup>2</sup> PROM	64 KB
Cycle Time	Programmabile (min 5 msec.)
Digital Inputs	16 digital inputs PNP at 24 Volts with programmable anti-noise filter ( 4 fast inputs for encoder connection untill 10KHz)

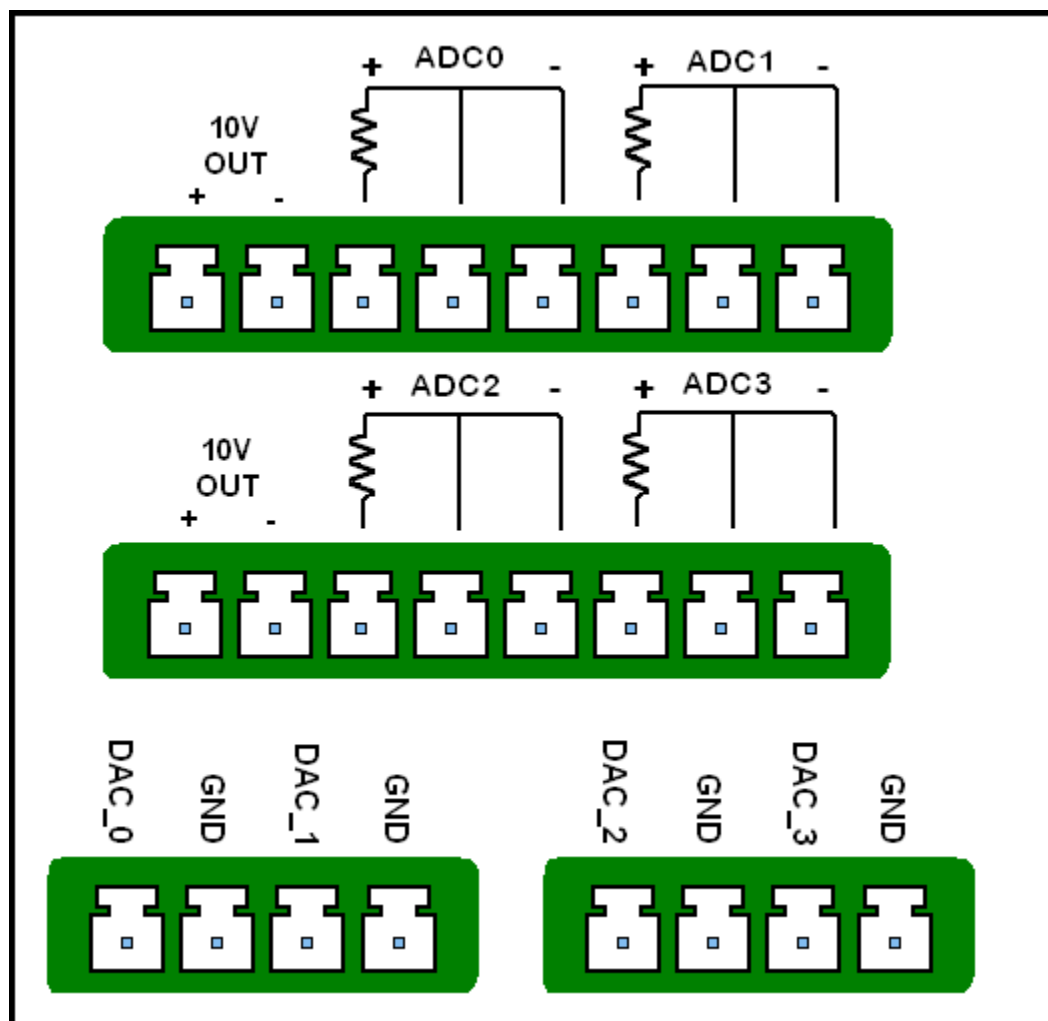


**Connessioni I/O**





Analog Inputs	4 configurable analog inputs for voltage, current , PT100 or TMC a 10 bits
Digital Outputs	16 static outputs PNP 24V at 500mA
Analog Outputs	4 analog outputs -10/+10 V at 12 bits
Buffered RAM	96 words any 100 msec automatically copy into plugged RAM (for a term of 1 year)
RTC	Extern real time clock with plugged calendar and clock with rechargeable battery . (for a term of 1 year)





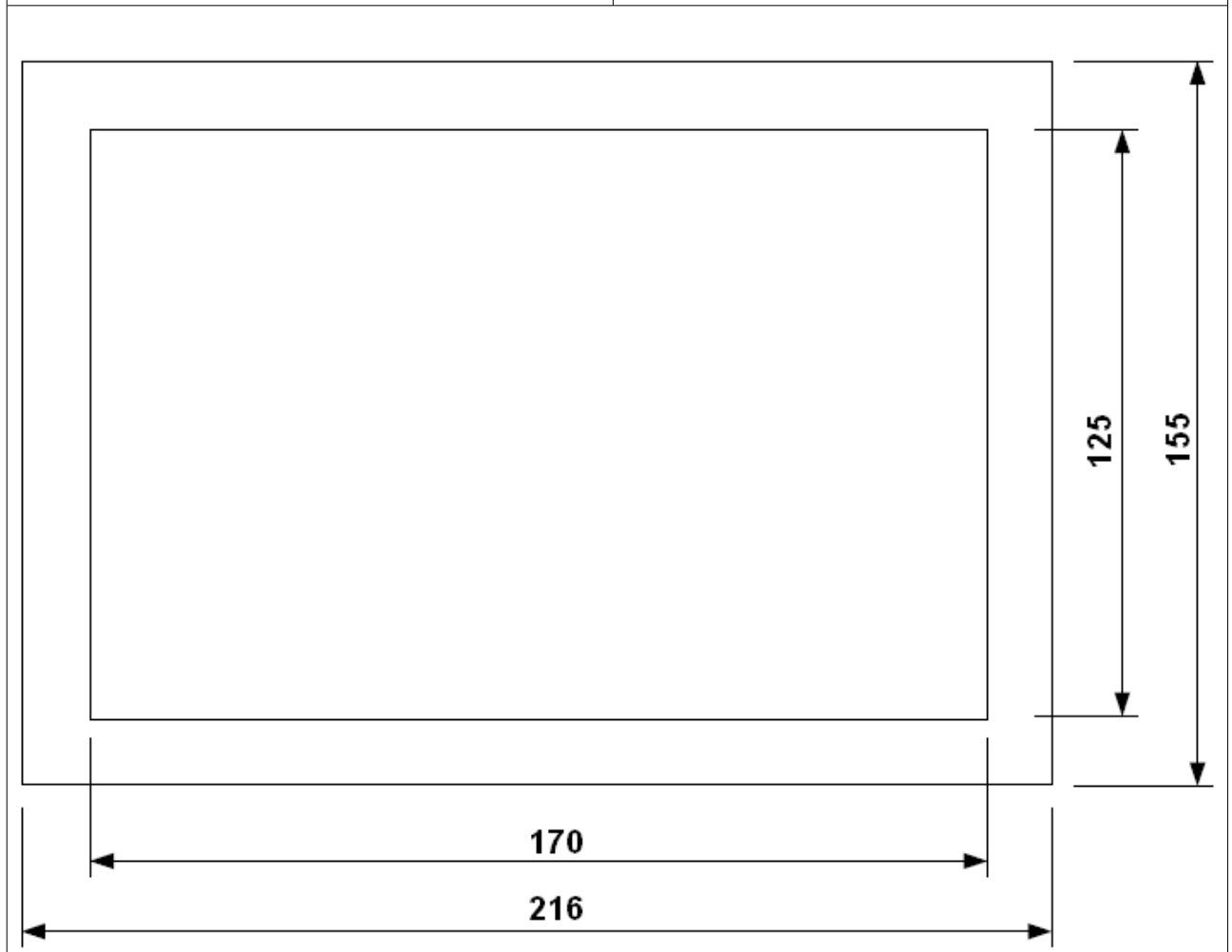
<p><b>Communication Ports</b></p>	<p>2 serial lines (COM 0, COM 1) and 1 CAN port</p> <p><b>COM 0</b> : This serial port is RS232 and this port might support many different communication protocols. It's used also for upload the application program or the operative system alternatively to USB port.</p> <p><b>COM 1</b> : Used in RS485 or RS422 mode , might support many different communication protocols and it's normally used like interface with other devices (termoregulators , inverters or for network connection) .</p>
-----------------------------------	--

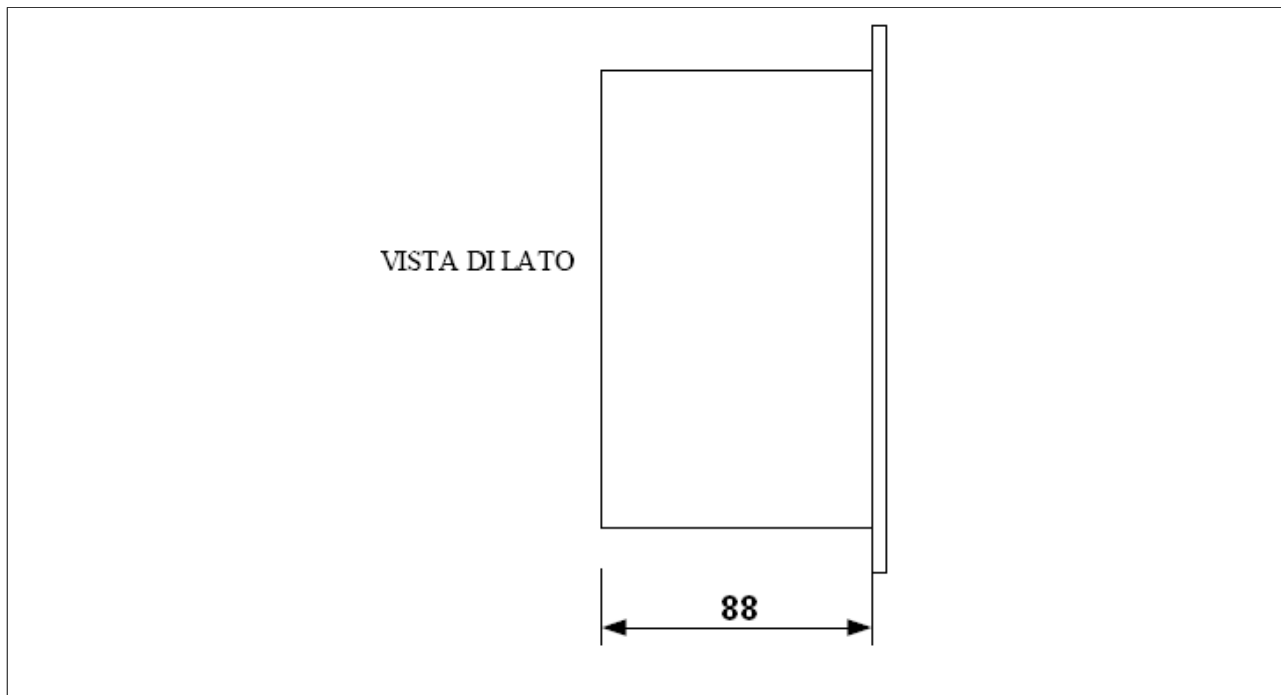
<p style="text-align: center;"><b>COM 0</b></p> <div style="border: 1px solid black; padding: 5px; width: fit-content; margin-left: auto; margin-right: auto;"> <p>1: Vcc 2: RX 3: TX 5: GND 8: CTS</p> </div>	<p><b>USB - slave</b> : used in alternative to COM0 , it use Kernel protocol</p>
<p style="text-align: center;"><b>COM 1</b></p> <p style="text-align: center;">GND    RX    TX    NC    RX+    RX-    TRX+/TX+    TRX-/TX-</p>	<p style="text-align: center;">connector for USB - slave</p>

**MECHANICS CHARACTERISTICS**



<b>Temperature Range</b>	<b>From -10 °C to +70 °C</b>
<b>Humidity Range</b>	<b>From 10 to 90% (non-condensing)</b>
<b>Operating Atmosphere</b>	<b>Without corrosive gas</b>
<b>Noise Immunity</b>	<b>According to rules in force</b>
<b>Fixing System</b>	<b>Four M4 pegs</b>
<b>Weight</b>	<b>1 Kg</b>
<b>Keyboard</b>	<b>Resistive touch screen</b>
<b>Display</b>	<b>Graphic display 320X240 at 256 colours, backlight. 4 signalling LEDs.</b>
<b>Size</b>	<b>Front view 216x155 mm, Depth 82 mm</b>





SOFTWARE CHARACTERISTICS	
<b>Programming Languages</b>	<b>AWL / Ladder</b>
<b>Timers</b>	<b>256 timers at 16 bit with 1/100 sec resolution. Timers are configurables like excitation delay or disexcitation delay.</b>
<b>Counters</b>	<b>256 counters at 16 bit configurables like increase or decrease.</b>
<b>Data Memory</b>	<b>12288</b>
<b>Developed Functions</b>	<ul style="list-style-type: none"> <li>- Week programming</li> <li>- Recipes management</li> <li>- Encoders management</li> <li>- P.I.D. regulation</li> </ul>
<b>Memory area check in real time mode on data table ( Debug )</b>	●
<b>Ladder's subroutines Import/Export</b>	●
<b>Contact and variable check in real time mode on ladder ( Debug Online )</b>	●