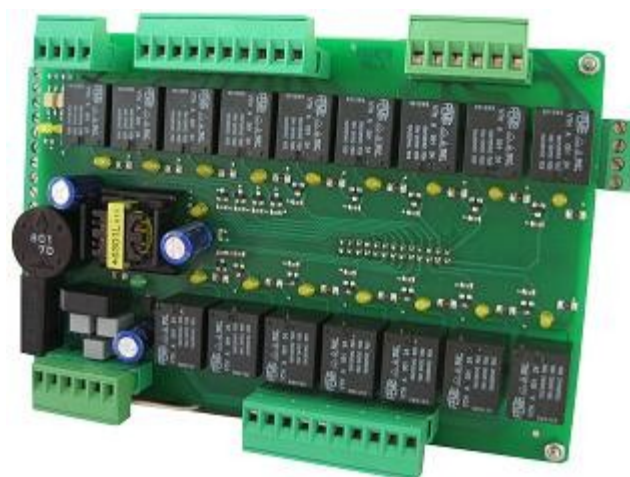




# KS 407

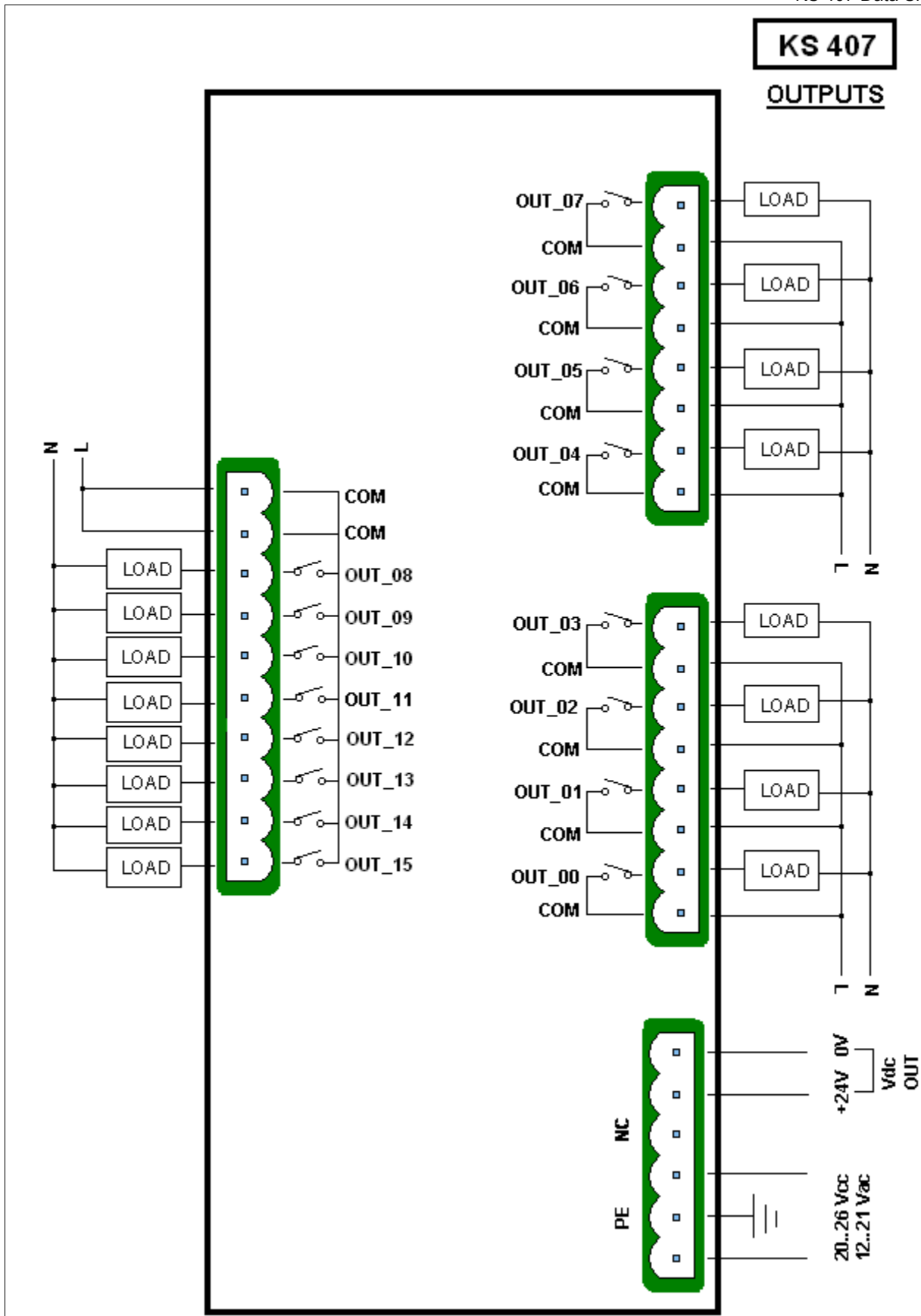


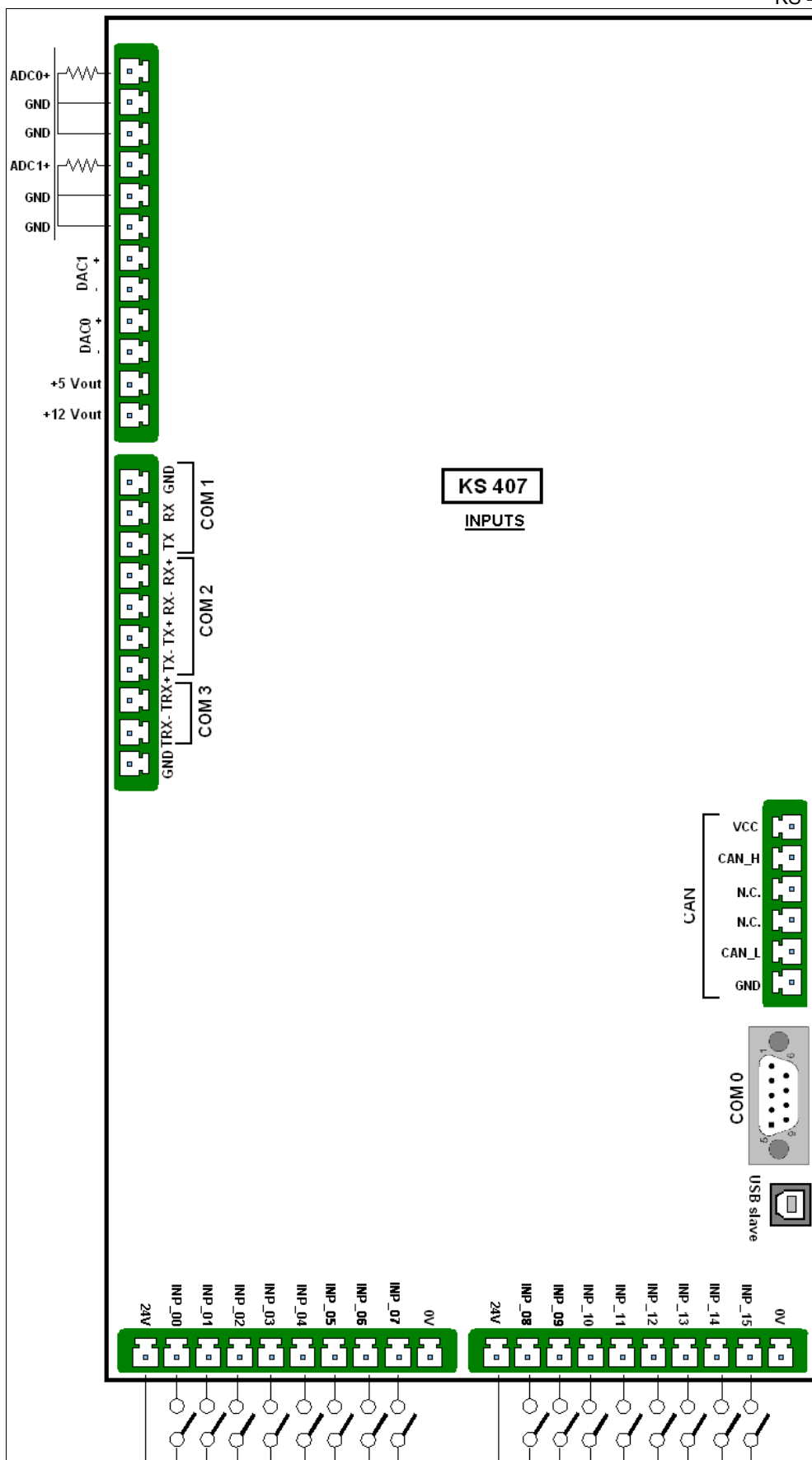
## Operator panel with integrated PLC

- Graphic LCD 240x128
- CAN Open Master communication protocol
- Contact programming with Ladder language
- USB slave port
- Touch Screen

### ELECTRIC CHARACTERISTICS

ELECTRIC CHARACTERISTICS	
<b>Power supply voltage</b>	<b>Min 20Vcc ; Max 26 Vcc Min 15 Vac ; Max 21 Vac</b>
<b>Current Consumption</b>	<b>Under 300mA without loads</b>
<b>Microprocessor</b>	<b>Fujitsu MB91467 @ 4MHz</b>
<b>Program Memory</b>	<b>256 KB</b>
<b>Pages Memory</b>	<b>500 KB</b>
<b>E<sup>2</sup>PROM</b>	<b>64 KB</b>
<b>Cycle Time</b>	<b>Programmable (min 1 msec.)</b>
<b>Digital Inputs</b>	<b>16 digital inputs PNP at 24 Volts of which 4 fast input (5KHz for encoder reading) with programmable anti-noise filter (value 0..255)</b>

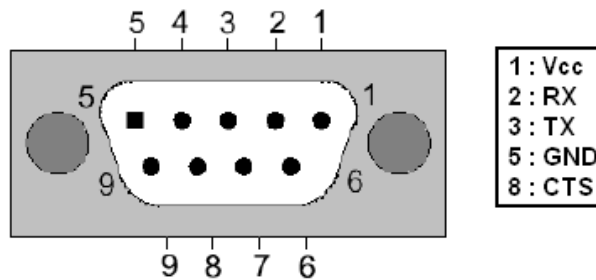




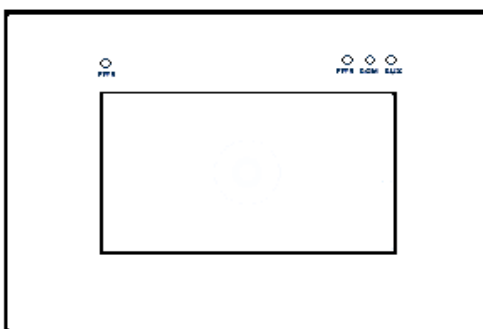


<b>RTC</b>	<b>Real time clock esterno con calendario e orologio tamponato con batteria ricaricabile. (durata carica batteria 1 anno)</b>
<b>Communication Ports</b>	<p>4 serial lines (COM 0, COM 1, COM 2, COM 3) , 1 USB slave port .</p> <p><b><u>COM 0</u></b> : Available only in RS232 mode , in alternative to this can be used the USB slave port . This port might support many different communication protocols . It's used also for upload the application program or the operative system .</p> <p><b><u>COM 1</u></b> : Used in RS232 mode , might support many different communication protocols and it's normally used like interface with other devices (I/O expansions , termoregulators , inverters or for network connection) .</p> <p><b><u>COM 2</u></b> : Used in RS422 mode , might support many different communication protocols and it's normally used like interface with other devices (I/O expansions , termoregulators , inverters or for network connection) .</p> <p><b><u>COM 3</u></b> : Used in RS485 mode , might support many different communication protocols and it's normally used like interface with other devices (I/O expansions , termoregulators , inverters or for network connection) .</p>
<b>Analog Inputs</b>	<b>2 analogic inputs with 10 bit resolution [0...1023] for PT100 , termocouple , voltage or current .</b>
<b>Digital Outputs</b>	<b>16 relay outputs at 250V, 6A for any common</b>

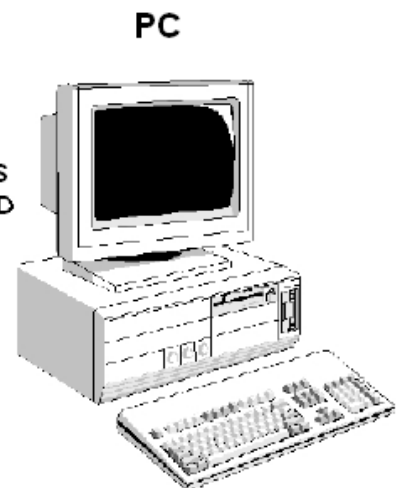
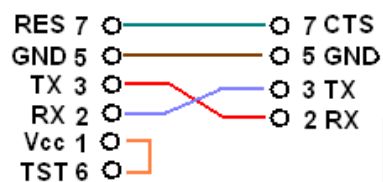
## COM 0



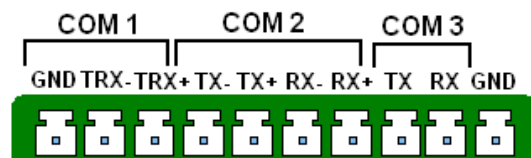
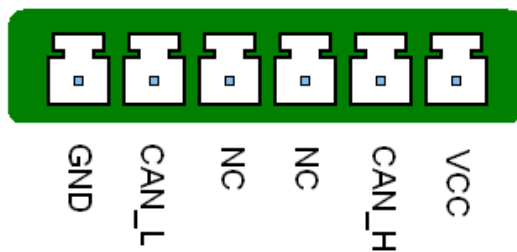
### KS 407 (COM 0)



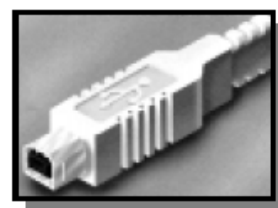
#### CONNESSIONE KS → PC



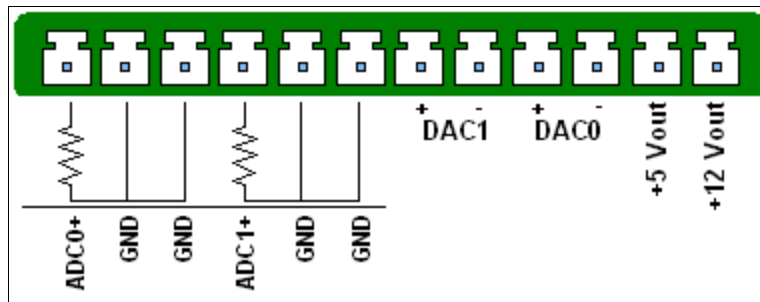
## CAN



USB - slave : funziona in alternativa alla COM0 ed utilizza protocollo Kernel

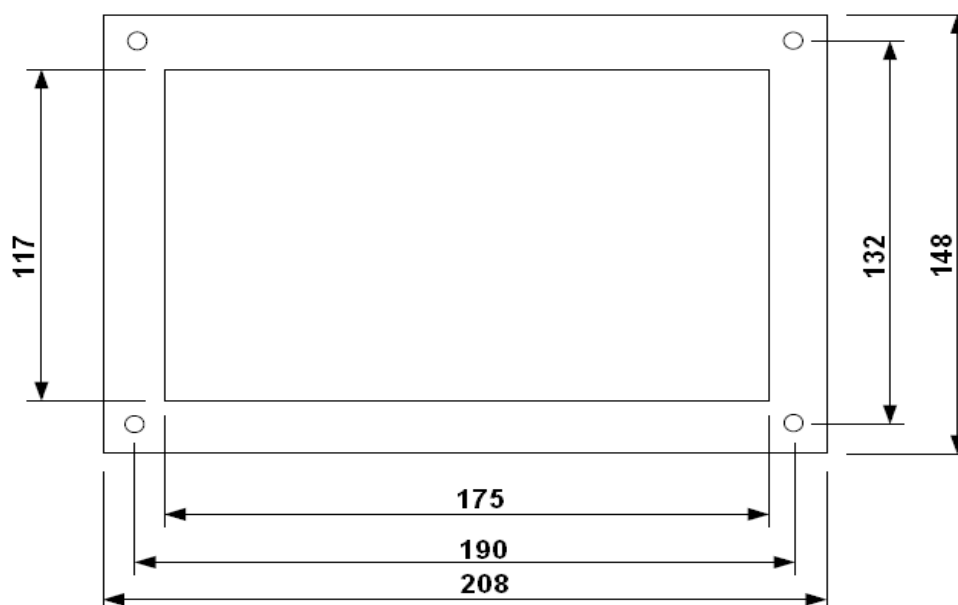


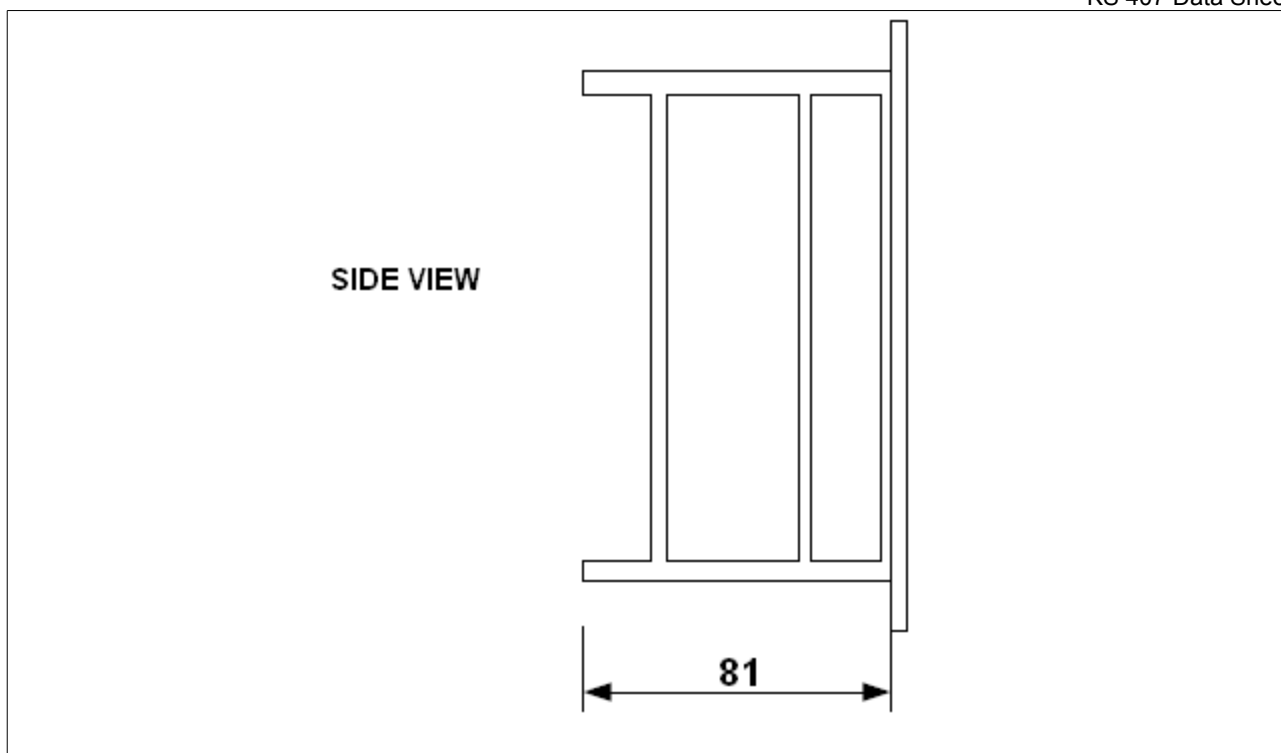
connettore per USB - slave



### MECHANICS CHARACTERISTICS

Temperature Range	from -10 °C to +70 °C
Humidity Range	from 10 at 90% (non-condensing))
Operating Atmosphere	Without corrosive gas
Noise Immunity	According to rules in force
Fixing System	Four M4 pegs
Weight	1 Kg
Keyboard	Resistive touch screen with high resolution.
Display	Graphic display 240 for 128 (40 characters on 16 rows) backlight at LEDS. 4 signalling LEDS.
Size	Front 208x148 mm , Depth 66 mm





<b>SOFTWARE CHARACTERISTICS</b>	
<b>Programming Languages</b>	<b>AWL / Ladder</b>
<b>Timers</b>	<b>256 timers at 16 bit with 1/100 sec resolution. Timers are configurables like excitation delay or disexcitation delay.</b>
<b>Counters</b>	<b>256 counters at 16 bit configurables like increase or decrease.</b>
<b>Data Memory</b>	<b>12288</b>
<b>Developed Functions</b>	<ul style="list-style-type: none"> <li>- <b>Week programming</b></li> <li>- <b>Recipes management</b></li> <li>- <b>CAN Open protocol management</b></li> <li>- <b>Encoders management</b></li> <li>- <b>P.I.D. temperature regulation</b></li> </ul>
<b>Memory area check in real time mode on data table ( Debug )</b>	●
<b>Ladder's subroutines Import/Export</b>	●
<b>Contact and variable check in real time mode on ladder ( Debug Online )</b>	●