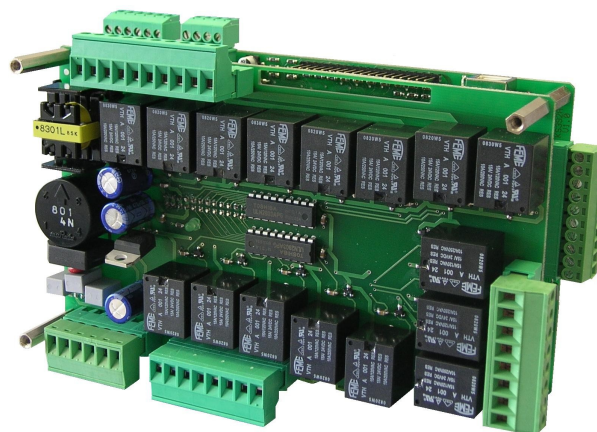
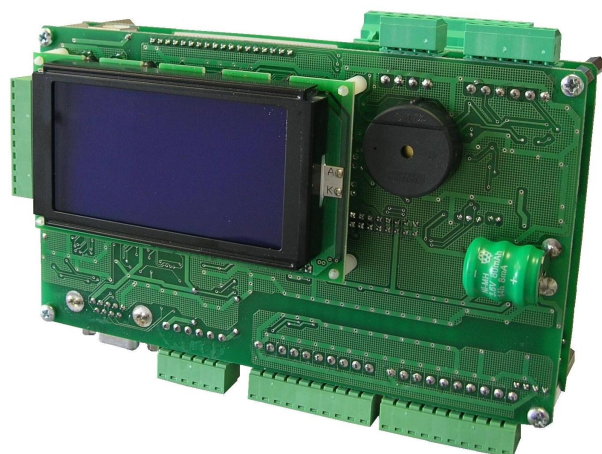




KS 392



Operator panel with integrated PLC

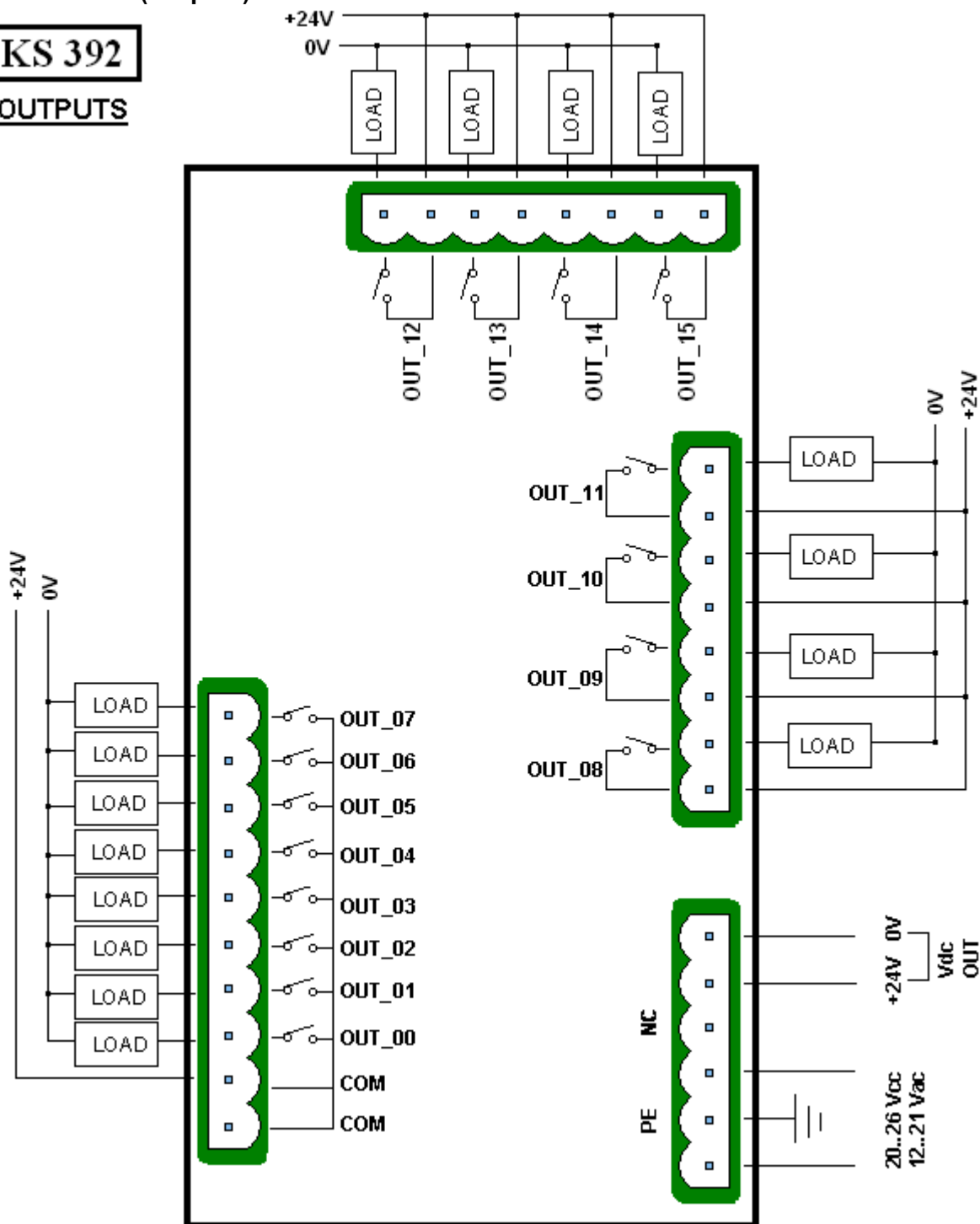
- Graphic LCD 160 x 80
- CAN Open Master communication protocol
- Contact programming with Ladder language
- Function for Recipe management , P.I.D. Regulator , Print etc ...

ELECTRIC CHARACTERISTICS

Power supply voltage	Min 20Vcc ; Max 26 Vcc Min 15 Vac ; Max 21 Vac
Current Consumption	Under 600mA without loads
Microprocessor	Fujitsu MB91467 @ 100MHz
Program Memory	128 KB
Pages Memory	128 KB
E²PROM	64 KB
Cycle Time	Programmable (min 1 msec.)
Digital Inputs	16 digital inputs PNP at 24 Volts of which 4 fast input (10KHz for encoder reading) with programmable anti-noise filter (value 0..255)

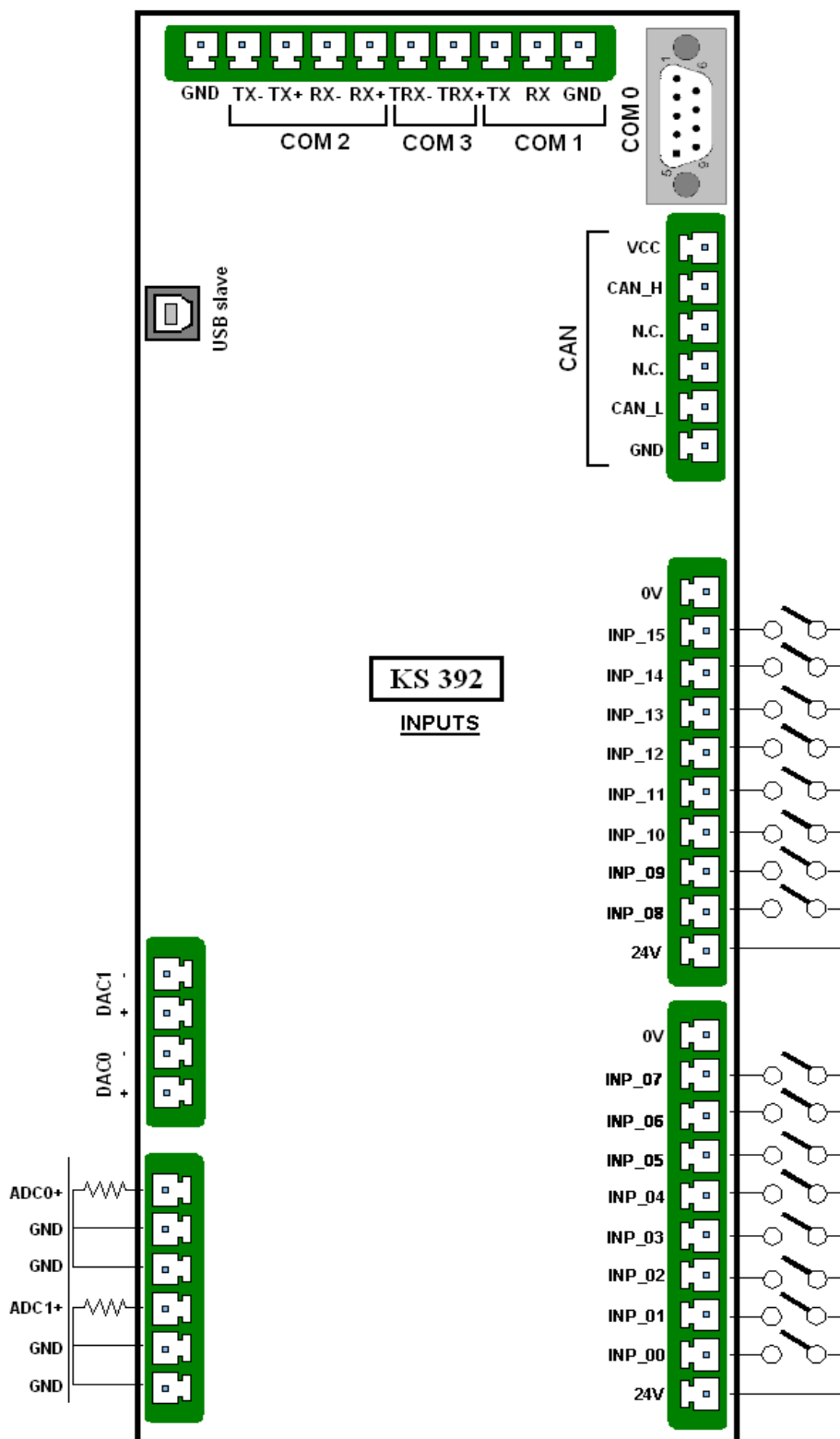
Connections I/O (Outputs)

KS 392
OUTPUTS



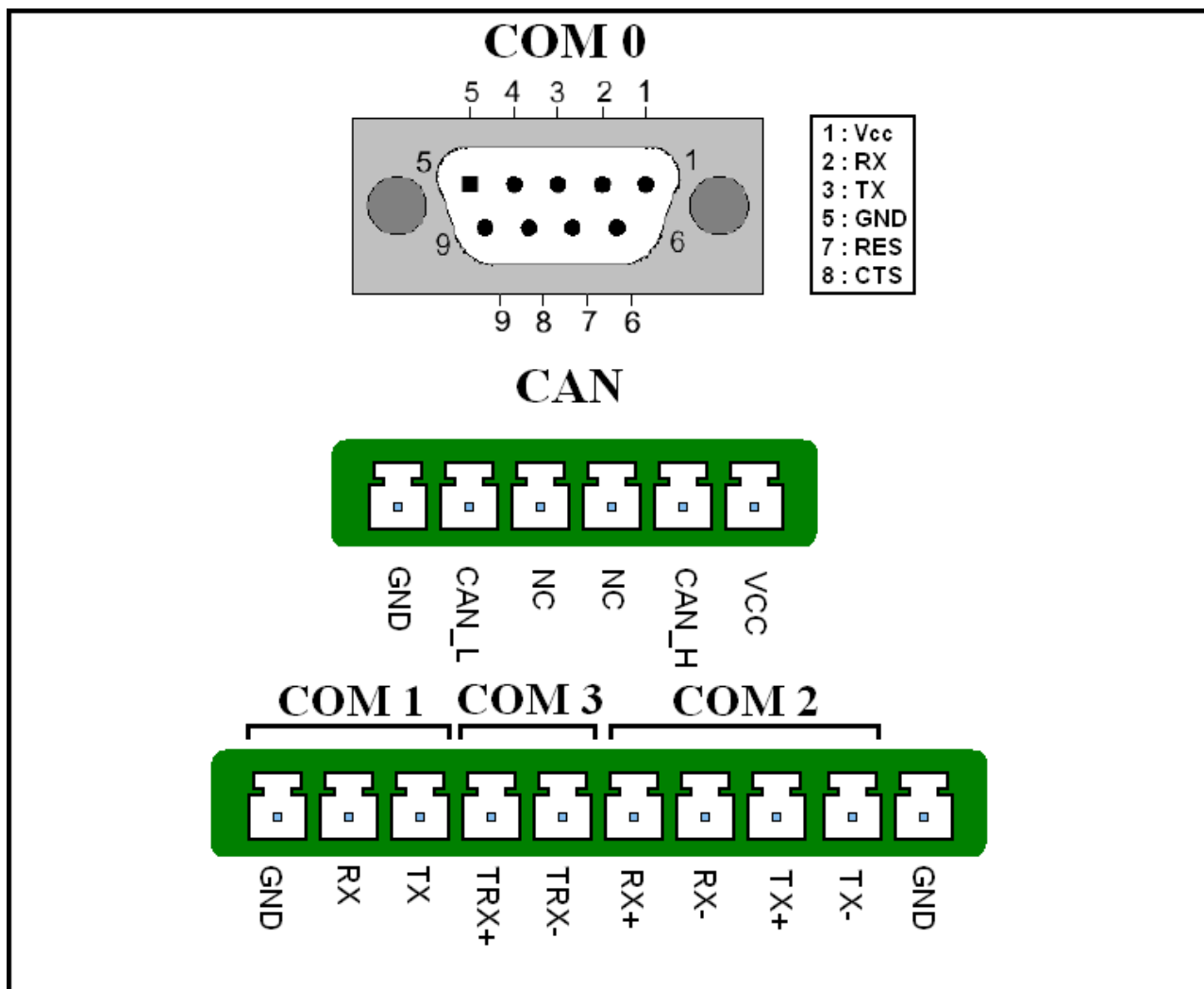


Connections I/O (Inputs)





Analog Inputs	2 analogic inputs with 10 bit resolution [0...1023] for PT100 , termocouple , voltage or current .
Digital Outputs	16 relay outputs at 250V, 6A for any common
Analog Outputs	2 analog outputs 0 – 10 V at 8 bits
Plugged RAM	96 words any 100 msec automatically copy into plugged RAM (for a term of 1 year)
RTC	Extern real time clock with plugged calendar and clock with rechargeable battery . (for a term of 1 year)
Communication Ports	<p>4 serial lines (COM 0, COM 1, COM 2, COM 3) , 1 CAN port , 1 USB slave port .</p> <p><u>COM 0</u> : Available only in RS232 mode , in alternative to this can be used the USB salve port . This port might support many different communication protocols . It's used also for upload the application program or the operative system .</p> <p><u>COM 1</u> : Used in RS232 mode , might support many different communication protocols and it's normally used like interface with other devices (I/O expansions , termoregulators , inverters or for network connection) .</p> <p><u>COM 2</u> : Used in RS422 mode , might support many different communication protocols and it's normally used like interface with other devices (I/O expansions , termoregulators , inverters or for network connection) .</p> <p><u>COM 3</u> : Used in RS485 mode , might support many different communication protocols and it's normally used like interface with other devices (I/O expansions , termoregulators , inverters or for network connection) .</p>



MECHANICS CHARACTERISTICS

Temperature Range	from -10 °C to +70 °C
Humidity Range	from 10 at 90% (non-condensing))
Operating Atmosphere	Without corrosive gas
Noise Immunity	According to rules in force
Fixing System	Four M4 pegs
Weight	670 gr
Keyboard	Membrane keyboard on anodized aluminium font part with maximum 12 buttons and 9 leds. Keyboard minimum size: 194x139 mm.

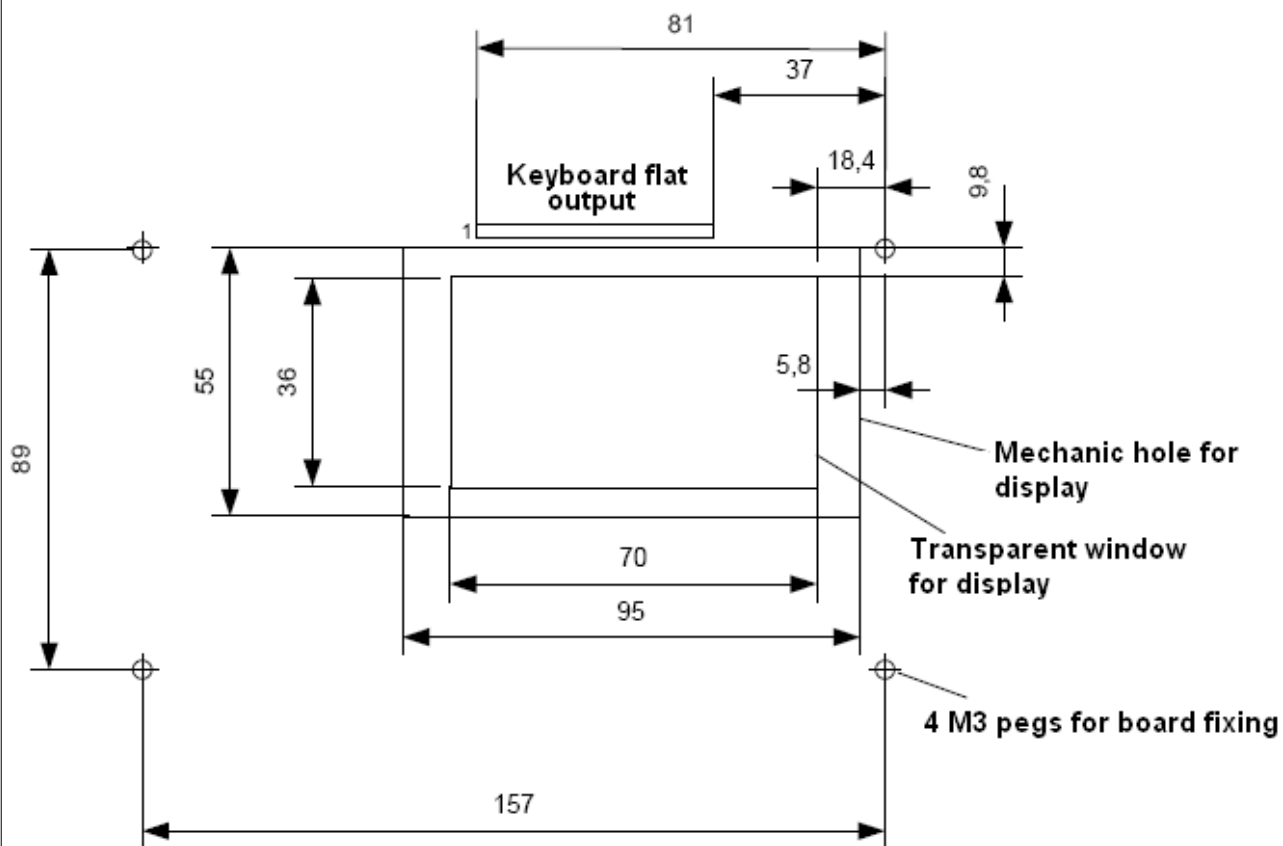


MECHANICS CHARACTERISTICS

Temperature Range

from -10 °C to +70 °C

Basic element of the keyboard support. Back view.



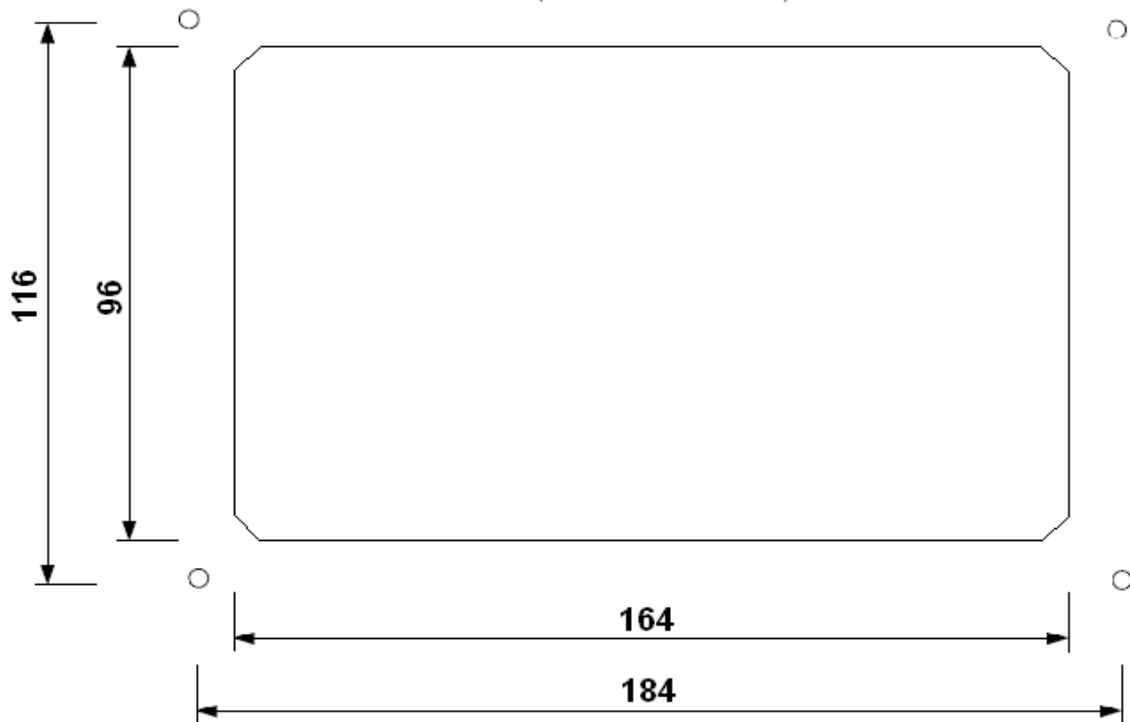
KEYBOARD FLAT

- 1 LED1
- 2 LED2
- 3 LED3
- 4 LED4
- 5 LED5
- 6 LED6
- 7 LED7
- 8 LED8
- 9 LED9
- 10 COMMON+5V
- 11 ROW0
- 12 ROW1
- 13 ROW2
- 14 ROW3
- 15 COL0
- 16 COL1
- 17 COL2
- 18 COL3

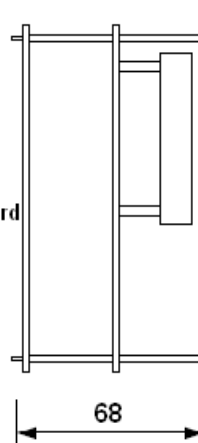


Display	Monochromatic graphic display 160x80 (26 characters on 10 rows) backlight LED. 8 LEDS on function buttons .
Size	Front view 116x184 mm , Depth 68 mm

**Back view
(WITHOUT KEYBOARD)**



**Side View
without keyboard**





SOFTWARE CHARACTERISTICS	
Programming Languages	AWL / Ladder
Timers	256 timers at 16 bit with 1/100 sec resolution. Timers are configurables like excitation delay or disexcitation delay.
Counters	256 counters at 16 bit configurables like increase or decrease.
Data Memory	12288
Developed Functions	<ul style="list-style-type: none"> - Week programming - Recipes management - CAN Open protocol management - Encoders management - P.I.D. temperature regulation
Memory area check in real time mode on data table (Debug)	●
Ladder's subroutines Import/Export	●
Contact and variable check in real time mode on ladder (Debug Online)	●