



GTP 80



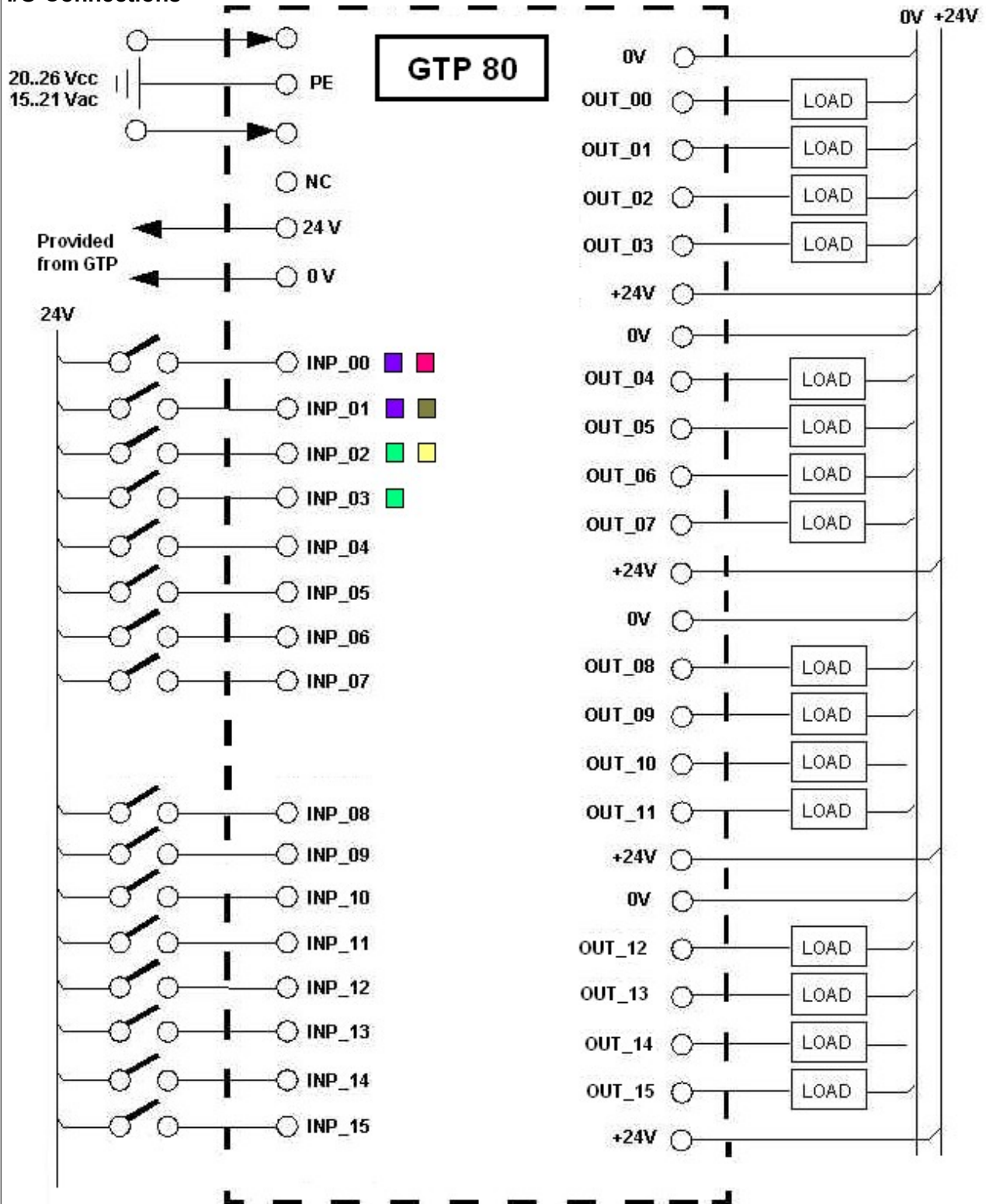
Operator panel with integrated PLC

- Graphic LCD 160 x 80
- CAN Open Master communication protocol
- Contact programming with Ladder language
- Master USB port and slave USB port

ELECTRIC CHARACTERISTICS	
Power supply voltage	Min 20Vcc ; Max 26 Vcc Min 15 Vac ; Max 21 Vac
Current Consumption	Under 500mA without loads
Microprocessor	Fujitsu MB91467 @ 4MHz
Program Memory	1 MB
Pages Memory	1 MB
E²PROM	64 KB
Cycle Time	Programmable (minimum 1 msec.)
Digital Inputs	16 digital inputs PNP at 24 Volts with programmable anti-noise filter (value 0..255)
Analog Inputs	8 analogic inputs with 10 bit resolution [0...1023] for PT100 , termocouple , voltage or current .

ELECTRIC CHARACTERISTICS	
Digital Outputs	16 PNP 24V at 500 mA
Analog Outputs	2 analogic outputs +/- 10V
Current analog input Impedance	250 Ω
Voltage analog input Impedance	10 KΩ

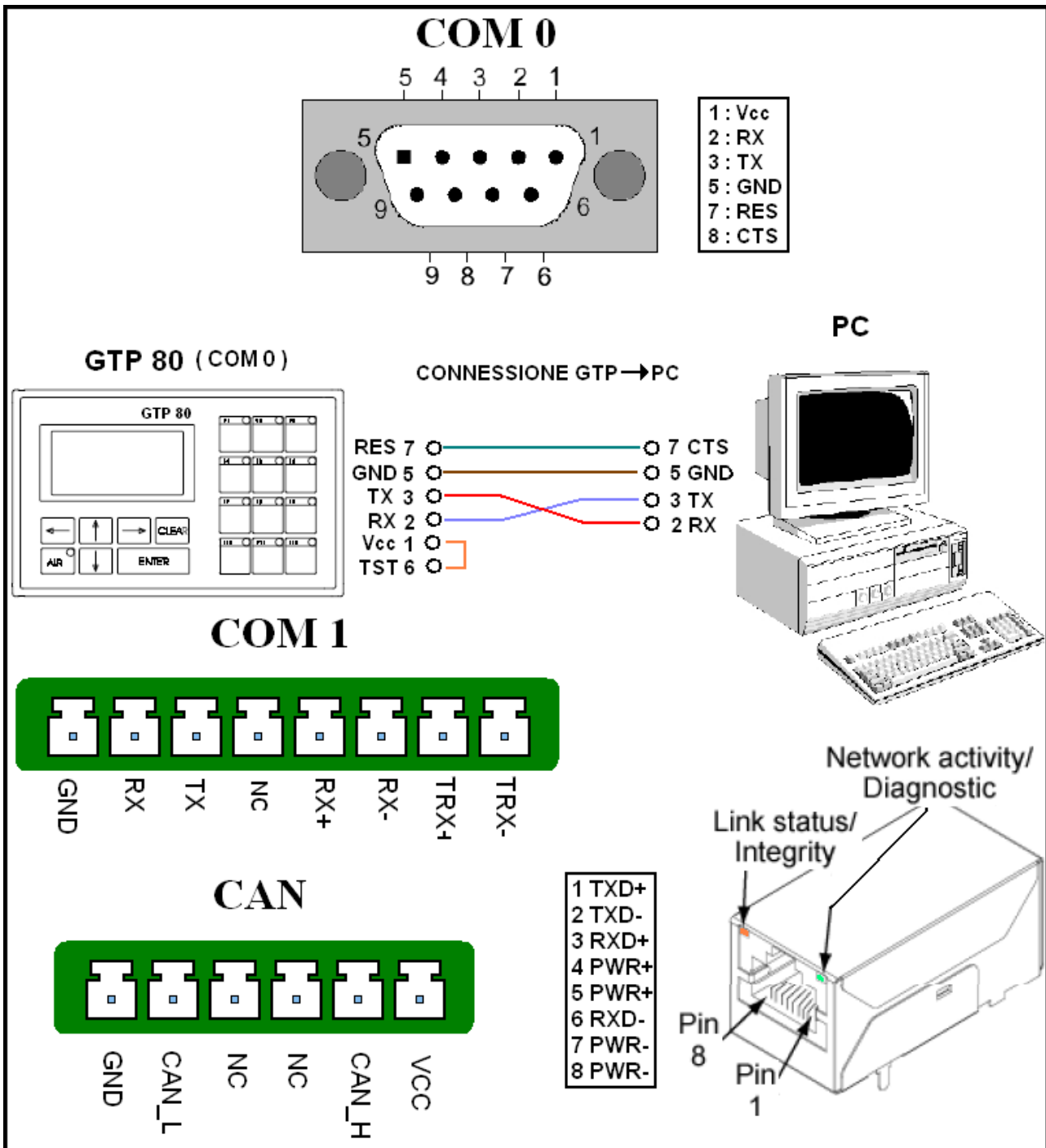
I/O Connections



- interrupt input
- Encoder bidirectional 0
- Encoder bidirectional 1
- Encoder monodirectional 0
- Encoder monodirectional 1

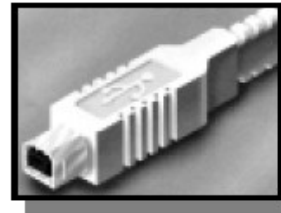


ELECTRIC CHARACTERISTICS	
Plugged RAM	96 words any 100 msec automatically copy into plugged RAM (for a term of 1 year)
RTC	Extern real time clock with plugged calendar and clock with rechargeable battery . (for a term of 1 year)
Communication Ports	<p>2 serial lines (COM 0 , COM 1) , 1 CAN port , 1 USB slave port , 1 USB master port , 1 Ethernet port .</p> <p><u>COM 0</u> : Available only in RS232 mode , in alternative to this can be used the USB salve port . This port might support many different communication protocols . It's used also for upload the application program or the operative system .</p> <p><u>COM 1</u> : Used in RS232 , RS485 o RS422 mode , might support many different communication protocols and it's normally used like interface with other devices (I/O expansions , termoregulators , inverters or for network connection) .</p> <p><u>CAN</u> : with CAN-OPEN protocol</p> <p><u>USB master</u> : only for USB keys reading .</p> <p><u>USB slave</u> : Used in alternative to COM1 , it use only the Kernel protocol . It's used also for upload the application program or the operative system .</p> <p><u>Ethernet</u> : only if requested .</p>





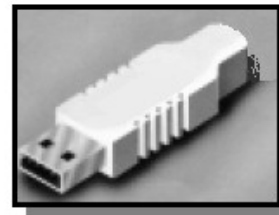
USB - slave : used in alternative to COM0 , it use Kernel protocol



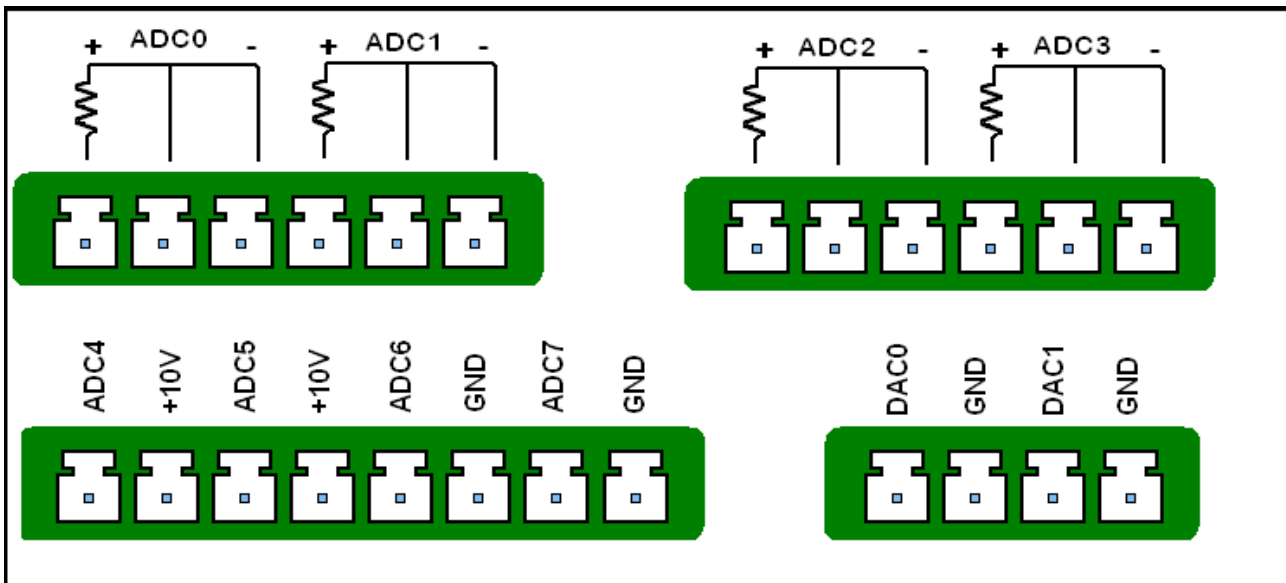
connector for USB - slave



USB - master : only for USB Flash disk connection

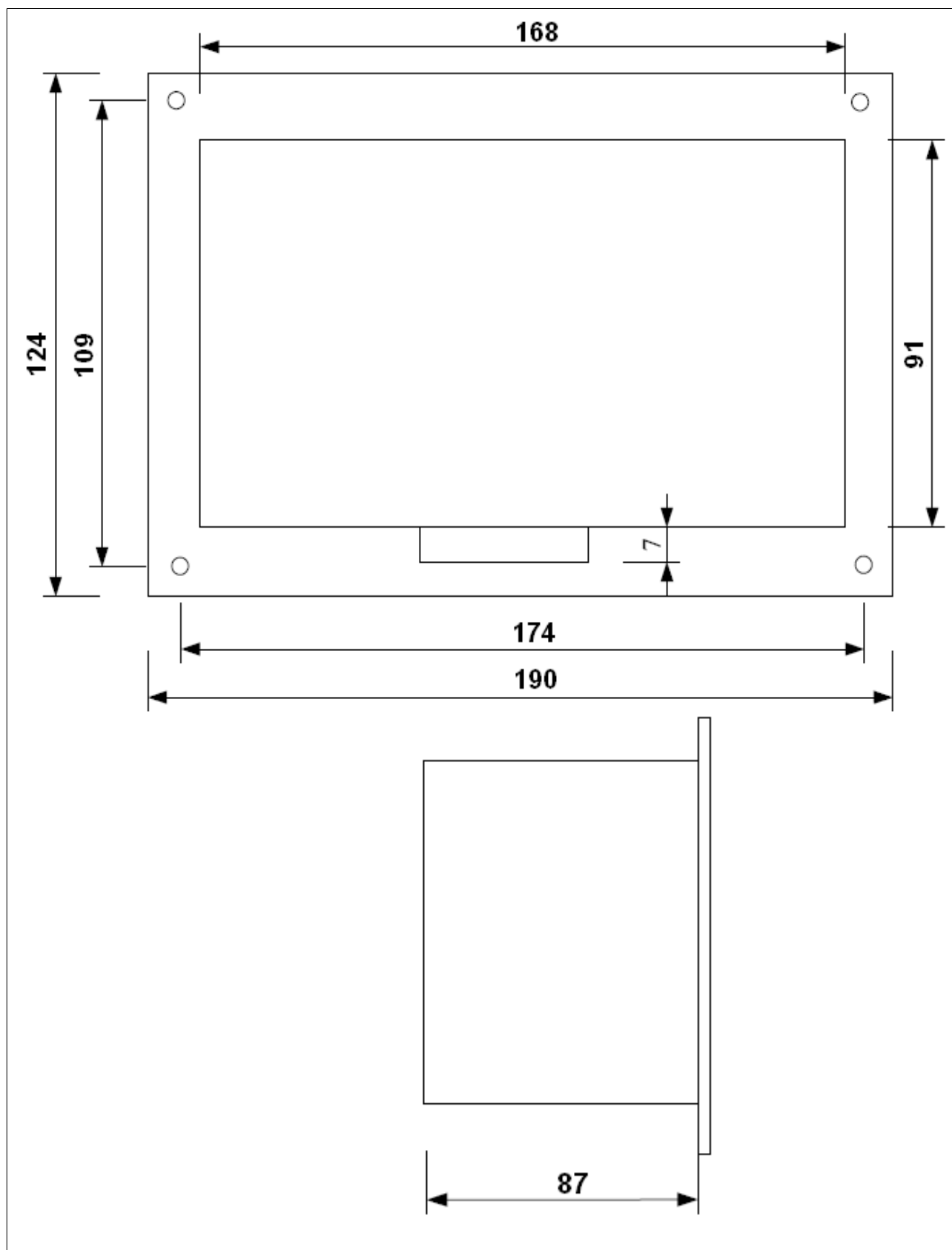


USB Flash disk connector for USB - master





MECHANICS CHARACTERISTICS	
Humidity Range	from 10 to 90% (non-condensing)
Temperature Range	from -10 °C to +70 °C
Operating Atmosphere	Without corrosive gas
Noise Immunity	According to rules in force
Fixing System	Four M4 pegs
Weight	790 g
Keyboard	Membrane keyboard on anodized aluminium front part with 12 function buttons (from F 1 to F 12) and 7 dedicated buttons
Display	Monochromatic graphic display 156x80 (26 characters on 10 rows) backlight LED. 13 LEDs on function buttons .
Size	Front view 190x124 mm , Depth 87 mm





SOFTWARE CHARACTERISTICS	
Programming Languages	AWL / Ladder
Timers	256 timers at 16 bit with 1/100 sec resolution. Timers are configurables like excitation delay or disexcitation delay.
Counters	256 counters at 16 bit configurables like increase or decrease.
Data Memory	12288
Developed Functions	<ul style="list-style-type: none"> - Week programming - Recipes management - CAN Open protocol management - Encoders management - P.I.D. regulation
Memory area check in real time mode on data table (Debug)	●
Ladder's subroutines Import/Export	●
Contact and variable check in real time mode on ladder (Debug Online)	●