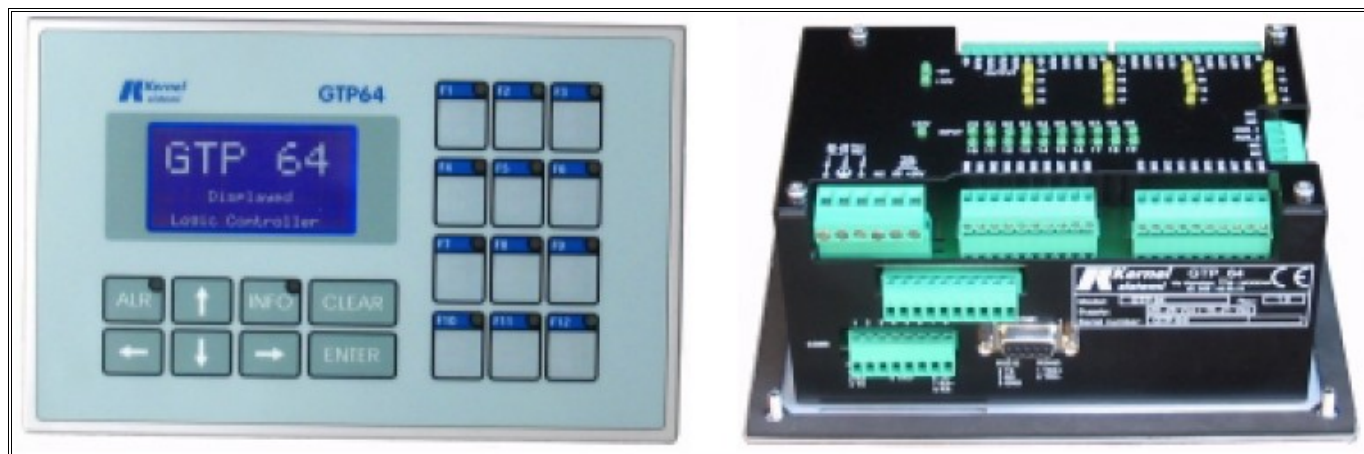




# GTP 64



## Operator panel with integrated PLC

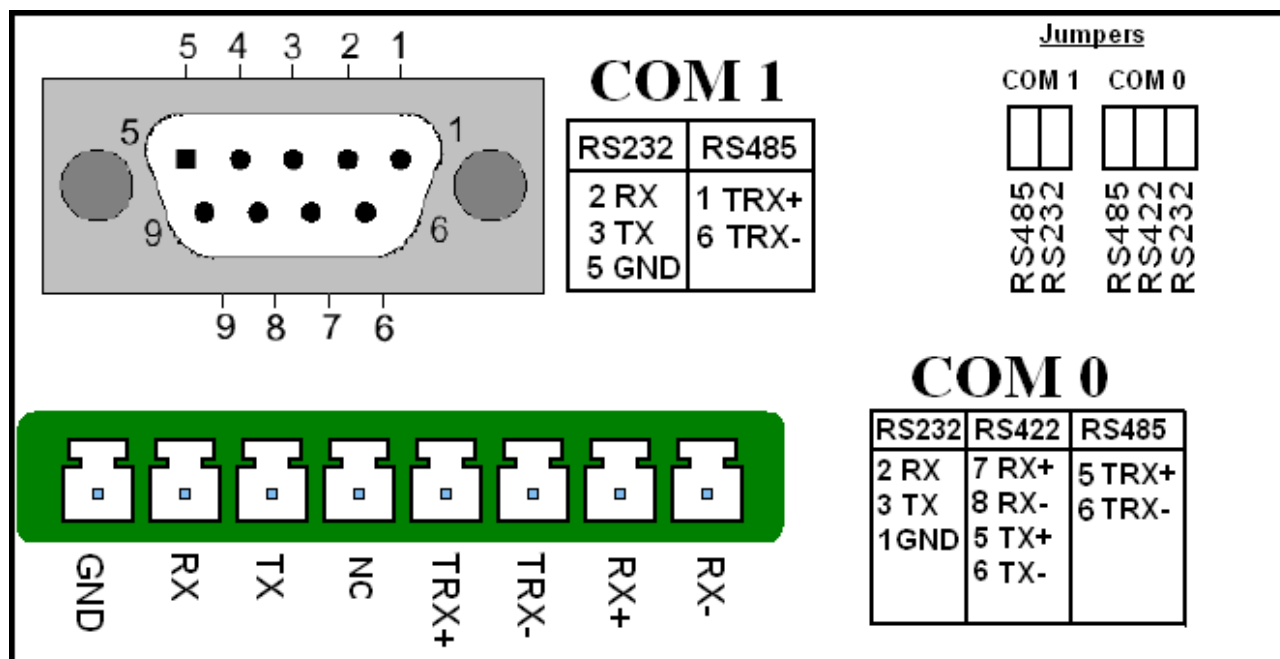
- Graphic LCD 128x64
- High speed (2msec. standard cycle time)
- Contact programming with Ladder language
- Function for Recipe management , P.I.D. Regulator , Print etc ...

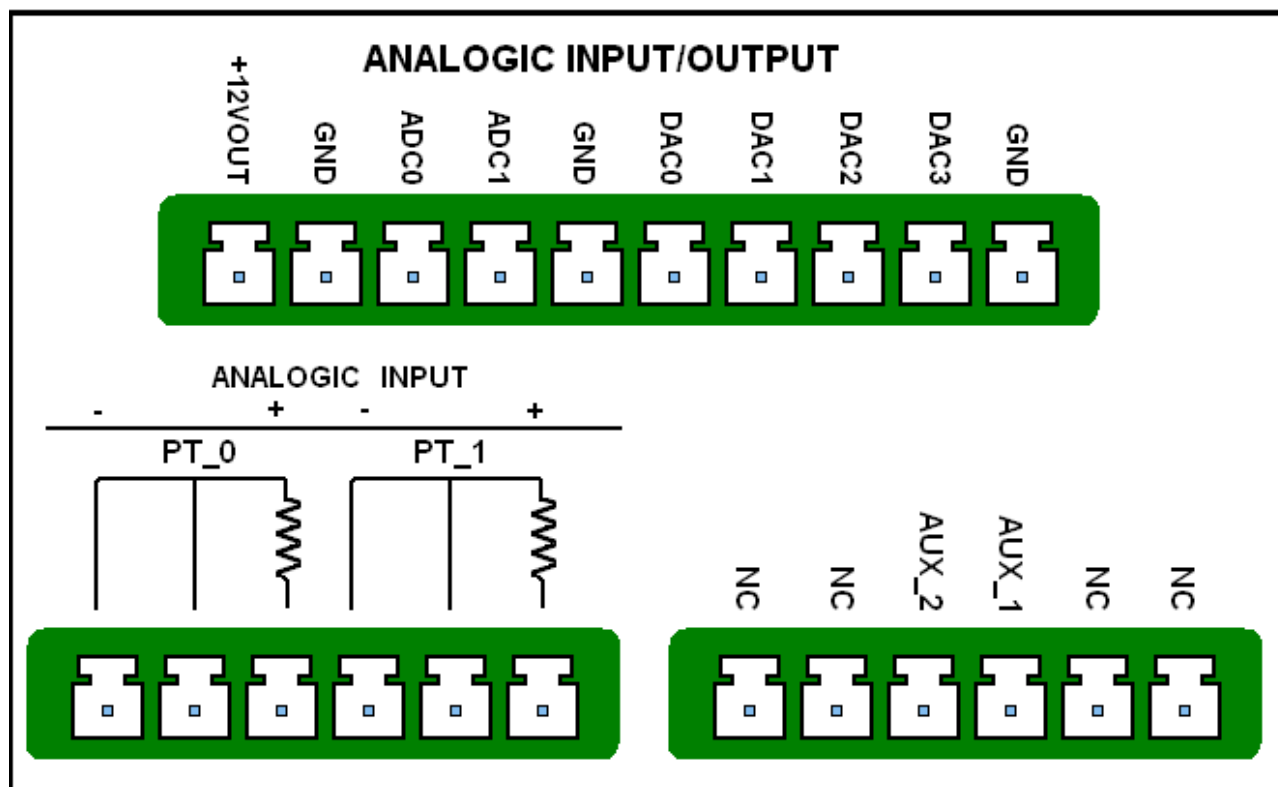
ELECTRIC CHARACTERISTICS	
Power supply voltage	Min 20Vcc ; Max 26 Vcc Min 15 Vac ; Max 21 Vac
Current Consumption	Under 150mA without loads
Microprocessor	Hitachi H8S/2145B @ 20MHz
Program Memory	32 KB
Pages Memory	128 KB
E <sup>2</sup> PROM	64 KB
Cycle Time	Programmable (minimum 1 msec.)
Digital Inputs	20 digital inputs PNP at 24 Volts of which 4 fast input (5KHz for encoder reading) with programmable anti-noise filter (value 1...16)



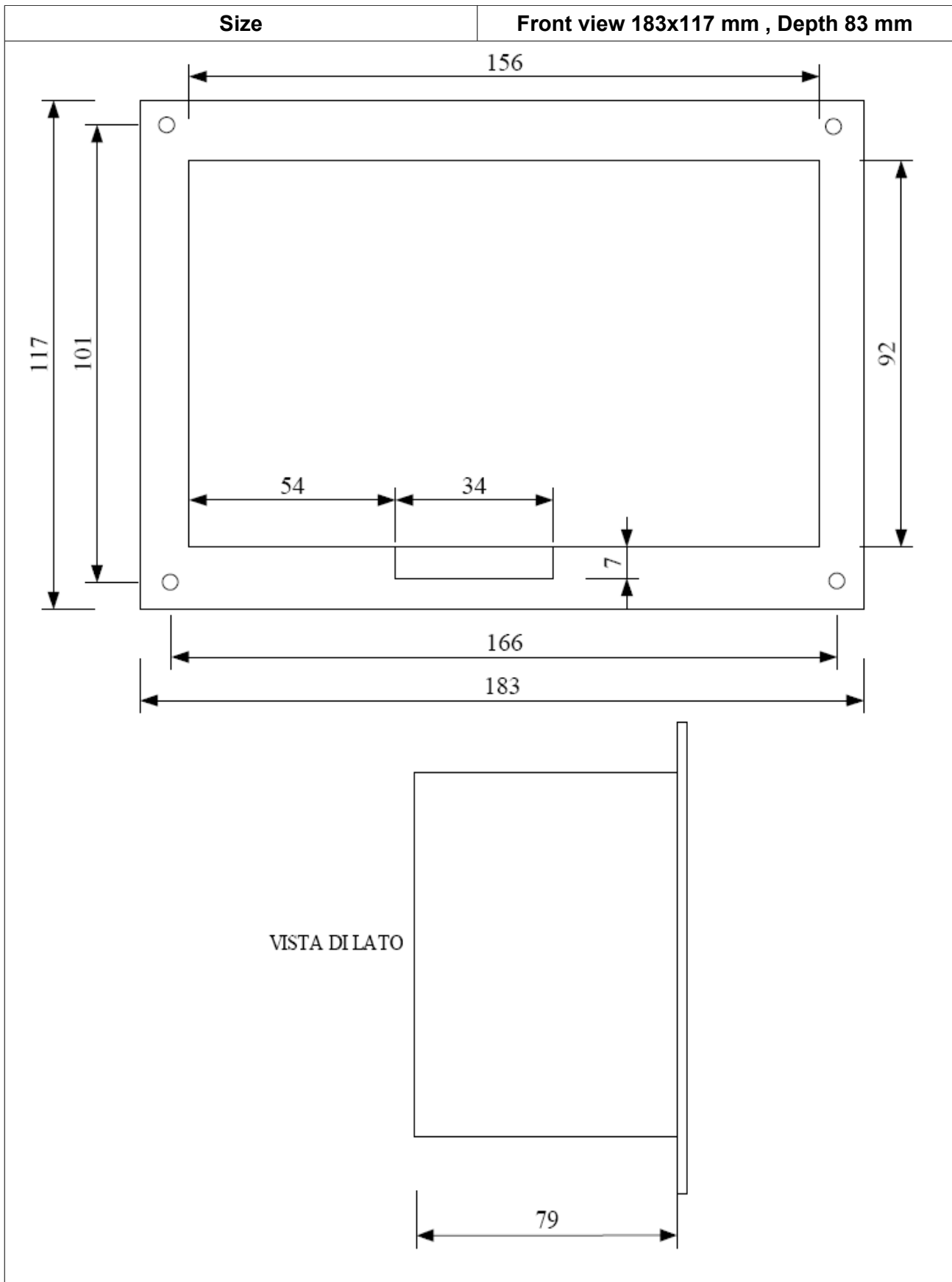
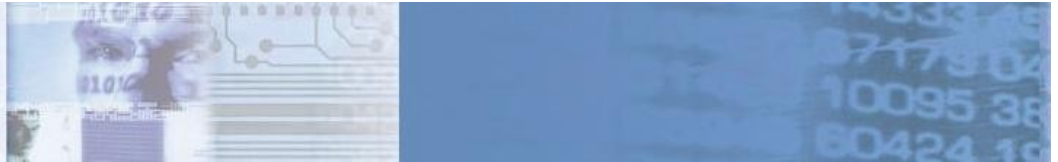


<b>Analog Inputs</b>	4 configurable analog inputs, 10bits. 2 inputs for voltage, current , PT100 or TMC and 2 inputs only for voltage or current.
<b>Digital Outputs</b>	16 PNP static outputs 24V and 500mA
<b>Analog Outputs</b>	2 analogic outputs +/- 10V 12 bit [0...4045] and 2 analogic outputs 0...+10V con risoluzione 8 bit [0...255]
<b>Plugged RAM</b>	79 words any 100 msec automatically copy into plugged RAM (for a term of 1 year)
<b>RTC</b>	Extern real time clock with plugged calendar and clock with rechargeable battery . (for a term of 1 year)
<b>Serial Lines</b>	2 serial lines (COM 0 , COM 1 )  <b>COM 0</b> : It could be used in RS232 , RS485 or RS422 with many different standard communication protocols for connect other devices (I/O expansions , termoregulators , inverters or network connection) .  <b>COM 1</b> : It could be used in RS232 and it's used like COM0 , besides for upload applications or operative system .





MECHANICS CHARACTERISTICS	
Temperature Range	from -10 °C to +70 °C
Humidity Range	from 10 to 90% (non-condensing)
Operating Atmosphere	Without corrosive gas
Noise Immunity	According to rules in force
Fixing System	Four M4 pegs
Weight	690 g
Keyboard	Membrane keyboard on anodized aluminium front part with 12 function buttons (from F1 to F12) and 8 dedicated buttons .
Display	Graphic display 128X64 (20 characters for 8 lines) backlight LED . 13LEDS on function buttons.





SOFTWARE CHARACTERISTICS	
Programming Languages	AWL / Ladder
<b>Timers</b>	64 timers with 16 bits and resolution 1/100 sec . 32 configurable timers one by one like excitation delay or disexcitation delay and 32 only excitation timers . 8 timers free running with 1 msec resolution enabled one by one with system flag .
<b>Counters</b>	32 counters with 16 bits configurable one by one like incremental or decremental .
<b>Data Memory</b>	<b>2048</b>
<b>Developed Functions</b>	<ul style="list-style-type: none"> <li>- Week Programming</li> <li>- Recipe Management</li> <li>- Step Motor Management</li> <li>- Encoders Management</li> <li>- P.I.D. Temperature's Regulator</li> <li>- Forwarding/Reception SMS Messages</li> </ul>
<b>Memory area check in real time mode on data table ( Debug )</b>	●
<b>Ladder's subroutines Import/Export</b>	●
<b>Contact and variable check in real time mode on ladder ( Debug Online )</b>	●