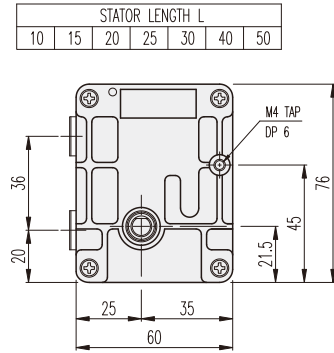
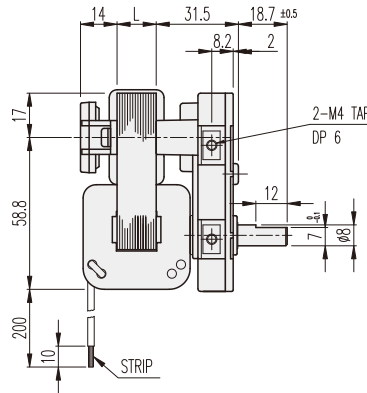
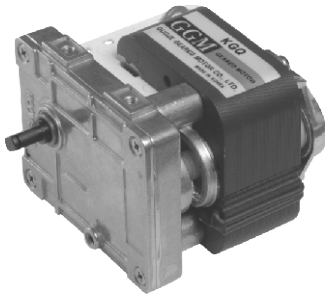


KGQ-TYPE

DIMENSIONS

KGQ SERIES



AT MAXIMUM EFFICIENCY (KGQ-□□□-KA61□□AE)

GEAR RATIO	MOTOR		KA6120AE				KA6130AE				KA6140AE				KA6150AE			
			50		60		50		60		50		60		50		60	
	rpm	kgf-cm	rpm	kgf-cm	rpm	kgf-cm	rpm	kgf-cm	rpm	kgf-cm	rpm	kgf-cm	rpm	kgf-cm	rpm	kgf-cm	rpm	kgf-cm
1/096	25	4.5	30.2	3.6	25	8.4	30.2	6.0	25	11.0	30.2	8.3	25	13.8	30.2	11.2		
1/380	6.3	20	7.6	16	6.3	20	7.6	20	6.3	20	7.6	20	6.3	20	7.6	20		
1/532	4.5	20	5.4	20	4.5	20	5.4	20	4.5	20	5.4	20	4.5	20	5.4	20		

* Above data is based on general type of shaded pole motor applied.
 * These gear ratios are same rotation direction with motor.