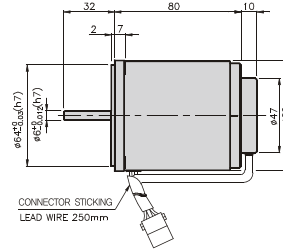
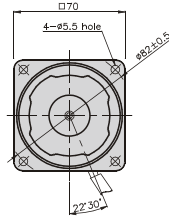


## SPEED CONTROL MOTOR - SU SERIES

### 15W

### □70mm

K7□S15N□-SU



### SPECIFICATIONS

15W continuous rating, four poles

Model	Voltage (V)	Frequency (Hz)	Speed Range (rpm)	Permissible Torque		Start T. (N*m/Kgf*cm)	Current (A)	Condenser (μF)
				1200rpm (N*m/Kgf*cm)	90rpm (N*m/Kgf*cm)			
K7□15NJ-SU	100	50	90 ~ 1400	0.125/1.25	0.045/0.45	0.07/0.7	0.55	5
			90 ~ 1700					
K7□15NU-SU	110	60	90 ~ 1700	0.125/1.25	0.045/0.45	0.07/0.7	0.47	4.5
	115					0.075/0.75		
K7□15NL-SU	200	50	90 ~ 1400	0.125/1.25	0.04/0.4	0.08/0.8	0.3	1.5
			90 ~ 1700			0.085/0.85		
K7□15NC-SU	220	50	90 ~ 1400	0.125/1.25	0.04/0.4	0.06/0.6	0.29	1
			90 ~ 1700			0.105/1.05		
	230	50	90 ~ 1400	0.125/1.25		0.065/0.65	0.3	
			90 ~ 1700	0.105/1.05			0.29	
K7□15ND-SU	240	50	90 ~ 1400	0.125/1.25	0.04/0.4	0.07/0.7	0.32	1

\* □ : SHAFT SHAPE (S : STRAIGHT, G : PINION)

### RATED TORQUE OF GEARHEAD

#### ● Single-phase 100V/115V

unit = above : N · m / below : kgfcm

Model	Ratio	Speed (rpm)																							
		3	3.6	5	6	7.5	9	10	12.5	15	18	20	25	30	36	40	50	60	75	90	100	120	150	180	200
K7□15N□-SU K7G□B(C)	1200	0.30 3.0	0.36 3.6	0.51 5.1	0.61 6.1	0.76 7.6	0.91 9.1	1.01 10.1	1.27 12.7	1.52 15.2	1.82 18.2	1.82 18.2	2.28 22.8	2.73 27.3	3.28 32.8	3.65 36.5	4.10 41.0	4.92 49.2	5 50	5 50	5 50	5 50	5 50	5 50	5 50
	90	0.11 1.1	0.13 1.3	0.18 1.8	0.22 2.2	0.27 2.7	0.33 3.3	0.36 3.6	0.46 4.6	0.55 5.5	0.66 6.6	0.66 6.6	0.82 8.2	0.98 9.8	1.18 11.8	1.31 13.1	1.48 14.8	1.77 17.7	2.21 22.1	2.66 26.6	2.95 29.5	3.54 35.4	4.43 44.3	5 50	5 50

#### ● Single-phase 200V/240V

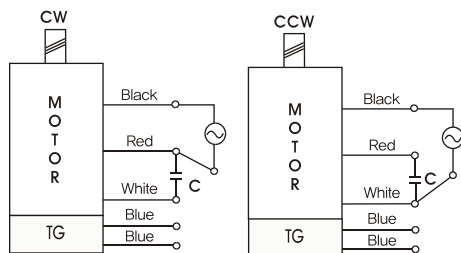
unit = above : N · m / below : kgfcm

Model	Ratio	Speed (rpm)																								
		3	3.6	5	6	7.5	9	10	12.5	15	18	20	25	30	36	40	50	60	75	90	100	120	150	180	200	
K7□15N□-SU K7G□B(C)	1200	200V/220V/ 230V/240V/ 50Hz	0.30 3.0	0.36 3.6	0.51 5.1	0.61 6.1	0.76 7.6	0.91 9.1	1.01 10.1	1.27 12.7	1.52 15.2	1.82 18.2	1.82 18.2	2.28 22.8	2.73 27.3	3.28 32.8	3.65 36.5	4.10 41.0	4.92 49.2	6.15 61.5	5 50	5 50	5 50	5 50	5 50	5 50
		200V/220V/ 230V/60Hz	0.26 2.6	0.31 3.1	0.43 4.3	0.51 5.1	0.64 6.4	0.77 7.7	0.85 8.5	1.06 10.6	1.28 12.8	1.53 15.3	1.53 15.3	1.91 19.1	2.30 23.0	2.76 27.6	3.06 30.6	3.44 34.4	4.13 41.3	5 50	5 50	5 50	5 50	5 50	5 50	5 50
	90	0.10 1.0	0.12 1.2	0.16 1.6	0.19 1.9	0.24 2.4	0.29 2.9	0.32 3.2	0.41 4.1	0.49 4.9	0.58 5.8	0.58 5.8	0.73 7.3	0.87 8.7	1.05 10.5	1.17 11.7	1.31 13.1	1.57 15.7	1.97 19.7	2.36 23.6	2.62 26.2	3.15 31.5	3.94 39.4	4.72 47.2	5 50	

- \* Gearhead and decimal gearhead are sold separately.
- \* The code in □ of gearhead model is for gear ratio.
- \* ■ color indicates that the output shaft of the geared motor rotates in the same direction as the output shaft of the motor. Others indicate rotation in the opposite direction.
- \* If you are to have less ratio than the ratio in the table, you can install the decimal gearhead, which has one tenth of the ratio, between the gearhead and the motor. In this case, the permissible torque is 5N · m/50kgfcm.
- \* RPM is based on motor's synchronous rpm (50HZ:1500rpm, 60HZ:1800rpm) and calculated by dividing gear ratio. Actual rpm is 2~20% less than indicating rpm according to load size.

## GEARHEADS

### CONNECTION DIAGRAMS



※The direction of motor rotation is as viewed from the front shaft end of the motor

### DIMENSIONS

K7G□B(C)

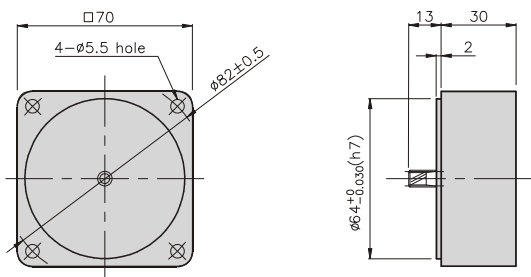


K7IG15N□-SU + K7G□B(C)



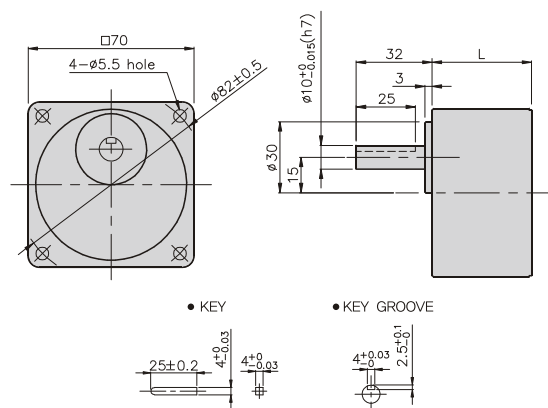
DECIMAL GEARHEAD

K7G10BX



GEARHEAD

K7G□B(C)



#### DIMENSION TABLE

PART No.	L	Application Model	Mounting BOLT
01	32	K7G3~18B(C)	M5 P0,8 X 50
02	40	K7G20~200B(C)	M5 P0,8 X 65
03	32	K7G10BX	M5 P0,8 X 90

#### WEIGHT

PART	WEIGHT(kg)	
MOTOR	1.16	
DECIMAL GEAR HEAD	0.32	
GEAR HEAD	K7G3~18B(C)	0.36
	K7G20~40B(C)	0.46
	K7G50~200B(C)	0.51

K7IG15N□-SU + K7G□B(C)

