

## INDUCTION MOTOR

### 180W

### □90mm

LEAD WIRE TYPE  
TERMINAL BOX TYPE

K9IS180F□



K9IS180F□-T, T5



### SPECIFICATIONS

180W continuous rating, four poles

Model	Voltage (V)	Frequency (Hz)	Current (A)	Start T. (N*m/ Kgf*cm)	Rated T. (N*m/ Kgf*cm)	Speed (rpm)	Condenser (μF)
K9I□180FJ(-T, -T5)	100	50	3,43	0,9/9	1,35/13,5	1300	50
		60	3,7	1/10	1,1/11	1600	
K9I□180FU(-T, -T5)	110	60	2,85	0,8/8	1,1/11	1600	35
	115		3,06				
K9I□180FL(-T, -T5)	200	50	1,47	0,73/7,3	1,35/13,5	1300	12
		60	1,43	0,65/6,5	1,1/11	1600	
K9I□180FC(-T, -T5)	220	50	1,58	0,7/7	1,35/13,5	1300	8
		60	1,38	0,65/6,5	1,1/11	1600	
	230	50	1,7	0,75/7,5	1,35/13,5	1300	
		60	1,54	0,7/7	1,1/11	1600	
K9I□180FD(-T, -T5)	240	50	1,2	0,8/8	1,35/13,5	1300	8

\* □ : SHAFT SHAPE (S : STRAIGHT, P : PINION)

### RATED TORQUE OF GEARHEAD

#### ● 50Hz

unit = above : N·m / below : kgfcm

Model Motor/ Gearhead	Speed(rpm)	600	500	360	300	240	200	180	144	120	100	90	72	60	50	45	36	30	24	20	18	15	12	10	9
	Ratio	3	3,6	5	6	7,5	9	10	12,5	15	18	20	25	30	36	40	50	60	75	90	100	120	150	180	200
K9I□180F□(-T, -T5)		3,28	3,94	5,47	6,56	8,20	9,84	10,94	12,30	14,76	17,71	19,68	22,14	26,57	30	30	30	30	30	30	30	30	30	30	30
K9P□BU, BUF		32,8	39,4	54,7	65,6	82,0	98,4	109,4	123,0	147,6	177,1	196,8	221,4	265,7	300	300	300	300	300	300	300	300	300	300	300

#### ● 60Hz

unit = above : N·m / below : kgfcm

Model Motor/ Gearhead	Speed(rpm)	600	500	360	300	240	200	180	144	120	100	90	72	60	50	45	36	30	24	20	18	15	12	10	9
	Ratio	3	3,6	5	6	7,5	9	10	12,5	15	18	20	25	30	36	40	50	60	75	90	100	120	150	180	200
K9I□180F□(-T, -T5)		2,67	3,21	4,46	5,35	6,68	8,02	8,91	10,02	12,03	14,43	16,04	18,04	21,65	25,98	28,87	30	30	30	30	30	30	30	30	30
K9P□BU, BUF		26,7	32,1	44,6	53,5	66,8	80,2	89,1	100,2	120,3	144,3	160,4	180,4	216,5	259,8	288,7	300	300	300	300	300	300	300	300	300

\* Gearhead and decimal gearhead are sold separately.

\* The code in □ of gearhead model is for gear ratio.

\* ■ color indicates that the output shaft of the geared motor rotates in the same direction as the output shaft of the motor. Others indicate rotation in the opposite direction.

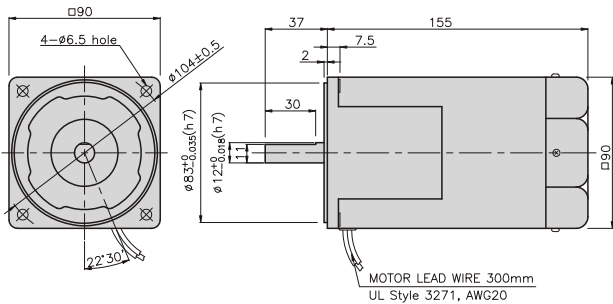
\* If you are to have less ratio than the ratio in the table, you can install the decimal gearhead, which has one tenth of the ratio, between the gearhead and the motor. In this case, the permissible torque is 30N·m/300kgfcm.

\* RPM is based on motor's synchronous rpm (50HZ:1500rpm, 60HZ:1800rpm) and calculated by dividing gear ratio. Actual rpm is 2~20% less than indicating rpm according to load size.

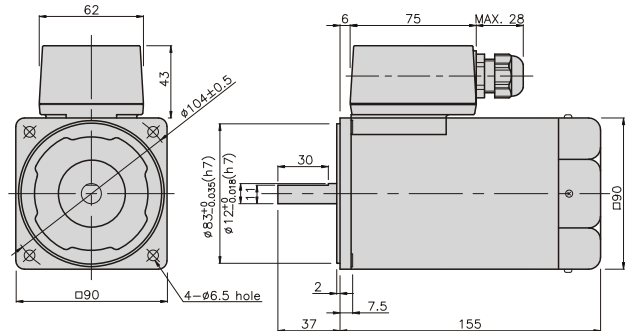
## GEARHEADS

### DIMENSIONS

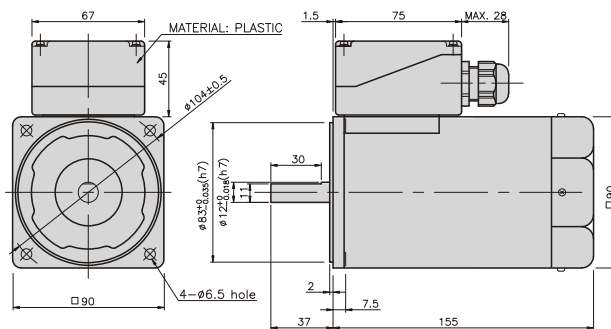
K9IS180F□



K9IS180F□-T

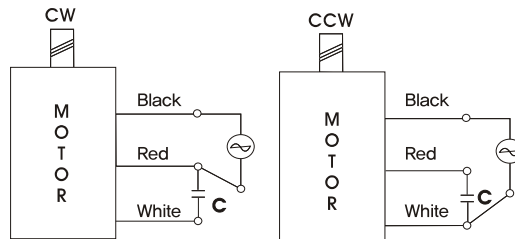


K9IS180F□-T5



### CONNECTION DIAGRAMS

K9IS180F□

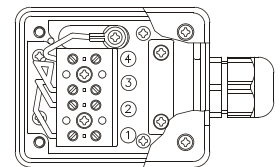
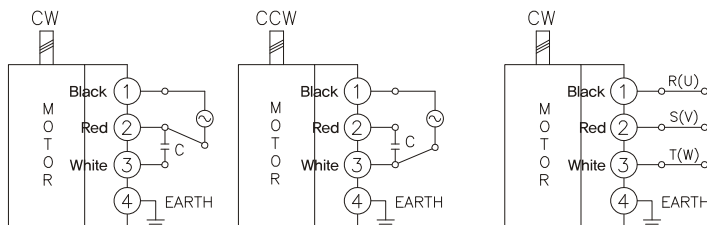


The direction of motor rotation is as viewed from the front shaft end of the motor

K9IS180F□-T

single phase motor

three phase motor

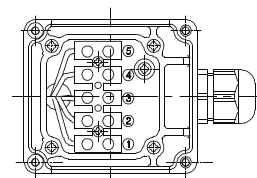
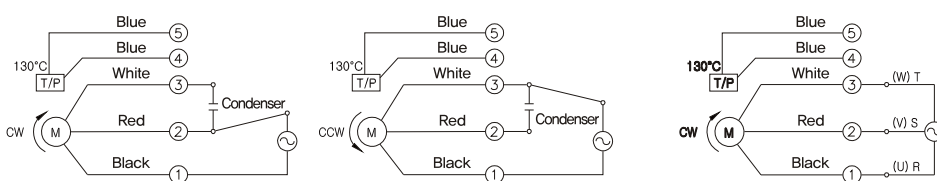


The direction of motor rotation is as viewed from the front shaft end of the motor

K9IS180F□-T5

single phase motor

three phase motor



The direction of motor rotation is as viewed from the front shaft end of the motor connecting two leadwires of U,V,W in turns

## GEARHEADS

### DIMENSIONS

K9P□BU

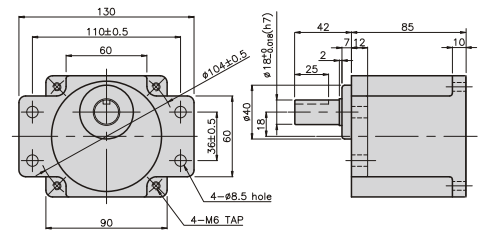
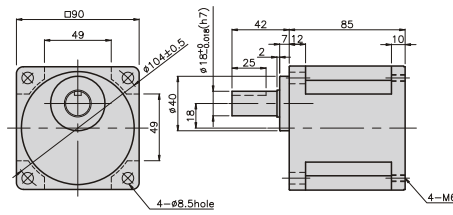
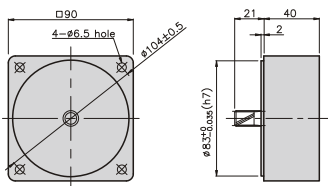
K9P□BUF



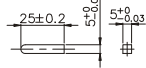
DECIMAL GEARHEAD  
K9P10BX

GEARHEAD  
K9P□BU

GEARHEAD  
K9P□BUF



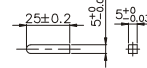
• KEY



• KEY GROOVE



• KEY



• KEY GROOVE



## GEARHEADS

### DIMENSIONS

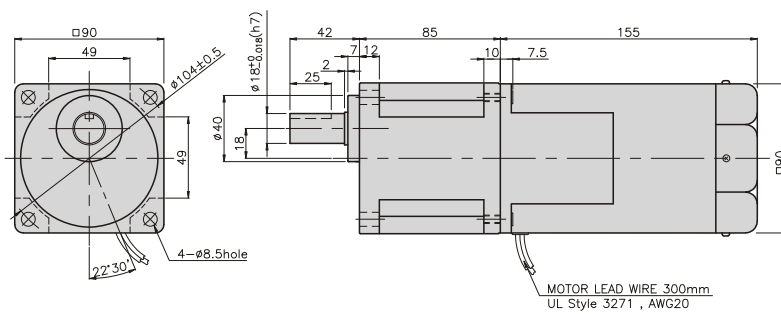
K9IP180F□ + K9P□BU



K9IP180F□ + K9P□BUF



K9IP180F□ + K9P□BU



#### WEIGHT

PART	WEIGHT(kg)
MOTOR	3,72
DECIMAL GEAR HEAD	0,62

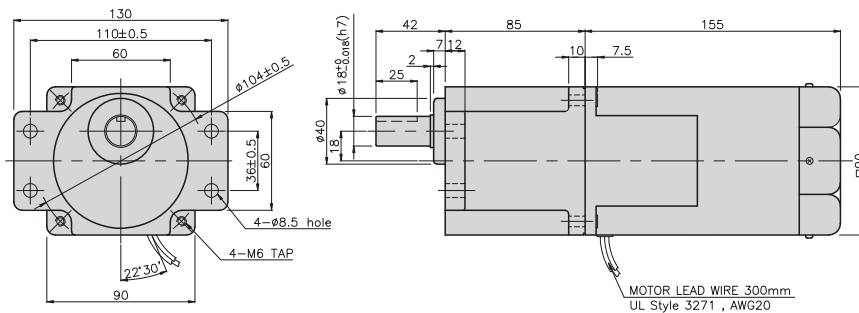
#### DIMENSION TABLE

PART No	L	Application Model	Mounting BOLT
01	85	K9P3~200BU	M6 P1,0 X 20
02	40	K9P10BX	M6 P1,0 X 60

#### WEIGHT

PART	WEIGHT(kg)
K9P3~10BU	1,44
K9P12,5~20BU	1,55
K9P25~60BU	1,69
K9P75~200BU	1,74

K9IP180F□ + K9P□BUF



#### DIMENSION TABLE

PART No	L	Application Model	Mounting BOLT
01	85	K9P3~200BUF	M6 P1,0 X 20
02	40	K9P10BX	M6 P1,0 X 65

#### WEIGHT

PART	WEIGHT(kg)
K9P3~10BUF	1,50
K9P12,5~20BUF	1,62
K9P25~60BUF	1,76
K9P75~200BUF	1,82

## GEARHEADS

### CONNECTION DIAGRAMS

K9IP180F□-T + K9P□BU



K9IP180F□-T + K9P□BUF



#### WEIGHT

PART	WEIGHT(kg)
MOTOR	3,90
DECIMAL GEAR HEAD	0,62

#### DIMENSION TABLE

PART No	L	Application Model	Mounting BOLT
01	85	K9P3~200BU	M6 P1,0 X 20
02	40	K9P10BX	M6 P1,0 X 60

#### WEIGHT

PART	WEIGHT(kg)
K9P3~10BU	1,44
K9P12,5~20BU	1,55
K9P25~60BU	1,69
K9P75~200BU	1,74

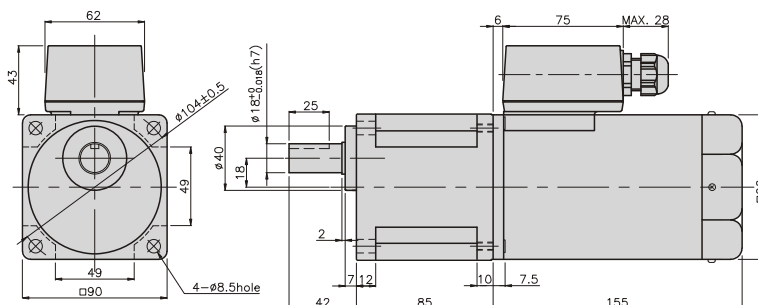
#### DIMENSION TABLE

PART No	L	Application Model	Mounting BOLT
01	85	K9P3~200BUF	M6 P1,0 X 20
02	40	K9P10BX	M6 P1,0 X 65

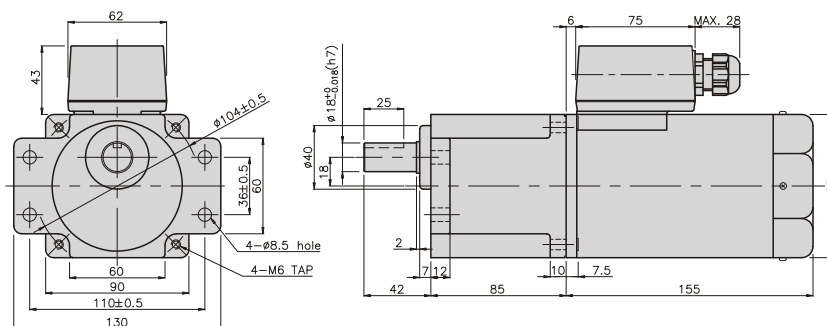
#### WEIGHT

PART	WEIGHT(kg)
K9P3~10BUF	1,50
K9P12,5~20BUF	1,62
K9P25~60BUF	1,76
K9P75~200BUF	1,82

K9IP180F□-T + K9P□BU



K9IP180F□-T + K9P□BUF



## GEARHEADS

### DIMENSIONS

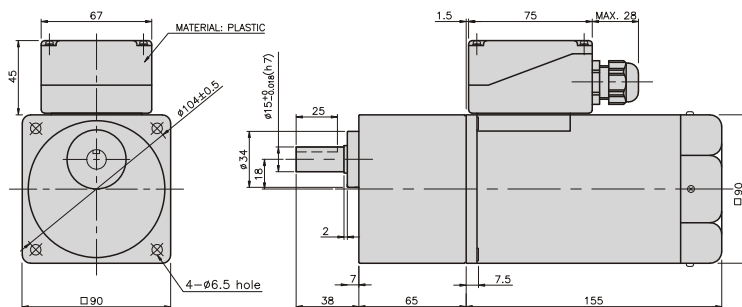
K9IP180F□-T5 + K9P□BU



K9IP180F□-T5 + K9P□BUF



K9IP180F□-T5 + K9P□BU



#### WEIGHT

PART	WEIGHT(kg)
MOTOR	3,90
DECIMAL GEAR HEAD	0,62

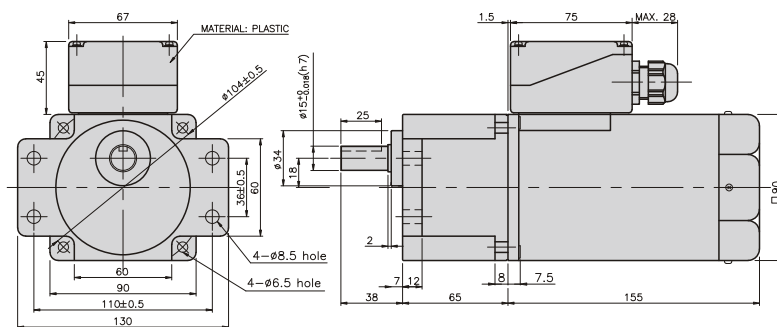
#### DIMENSION TABLE

PART No	L	Application Model	Mounting BOLT
01	85	K9P3~200BU	M6 P1,0 X 20
02	40	K9P10BX	M6 P1,0 X 60

#### WEIGHT

PART	WEIGHT(kg)
K9P3~10BU	1,44
K9P12,5~20BU	1,55
K9P25~60BU	1,69
K9P75~200BU	1,74

K9IP180F□-T5 + K9P□BUF



#### DIMENSION TABLE

PART No	L	Application Model	Mounting BOLT
01	85	K9P3~200BUF	M6 P1,0 X 20
02	40	K9P10BX	M6 P1,0 X 65

#### WEIGHT

PART	WEIGHT(kg)
K9P3~10BUF	1,50
K9P12,5~20BUF	1,62
K9P25~60BUF	1,76
K9P75~200BUF	1,82