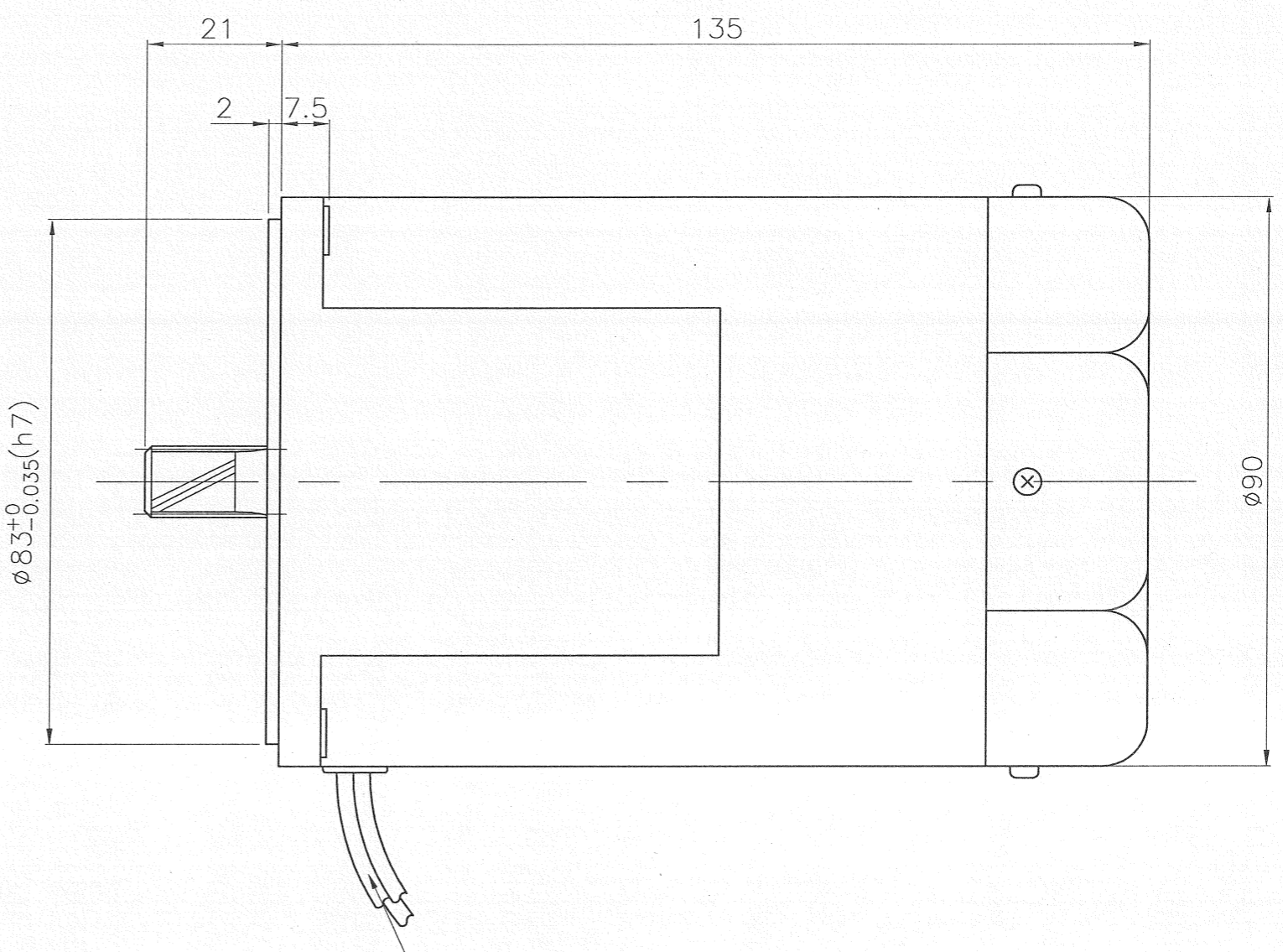
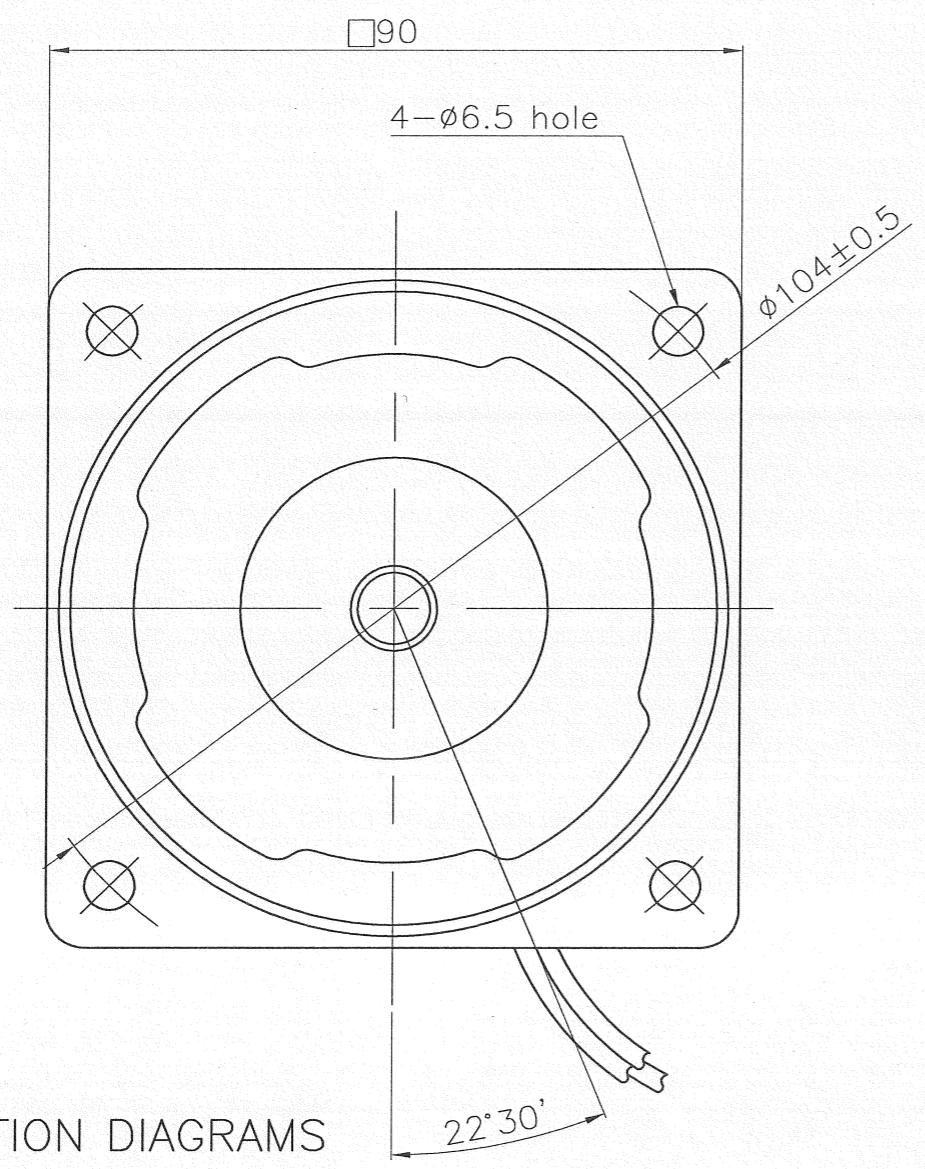


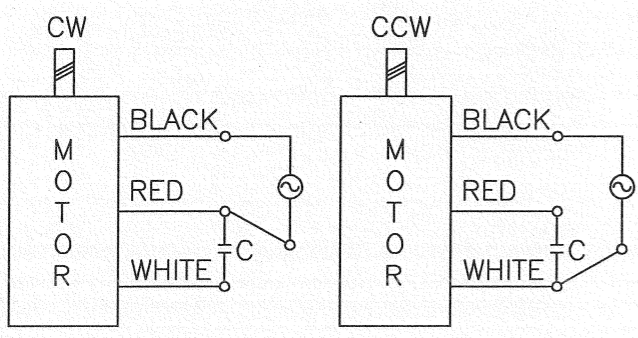
No.	REMARK	REVISION No.	SIGN



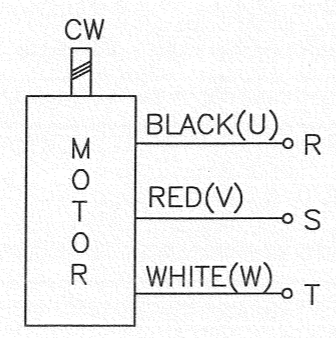
MOTOR LEAD WIRE 300mm
UL Style 3271 , AWG20

■ CONNECTION DIAGRAMS

SINGLE-PHASE MOTOR



THREE-PHASE MOTOR

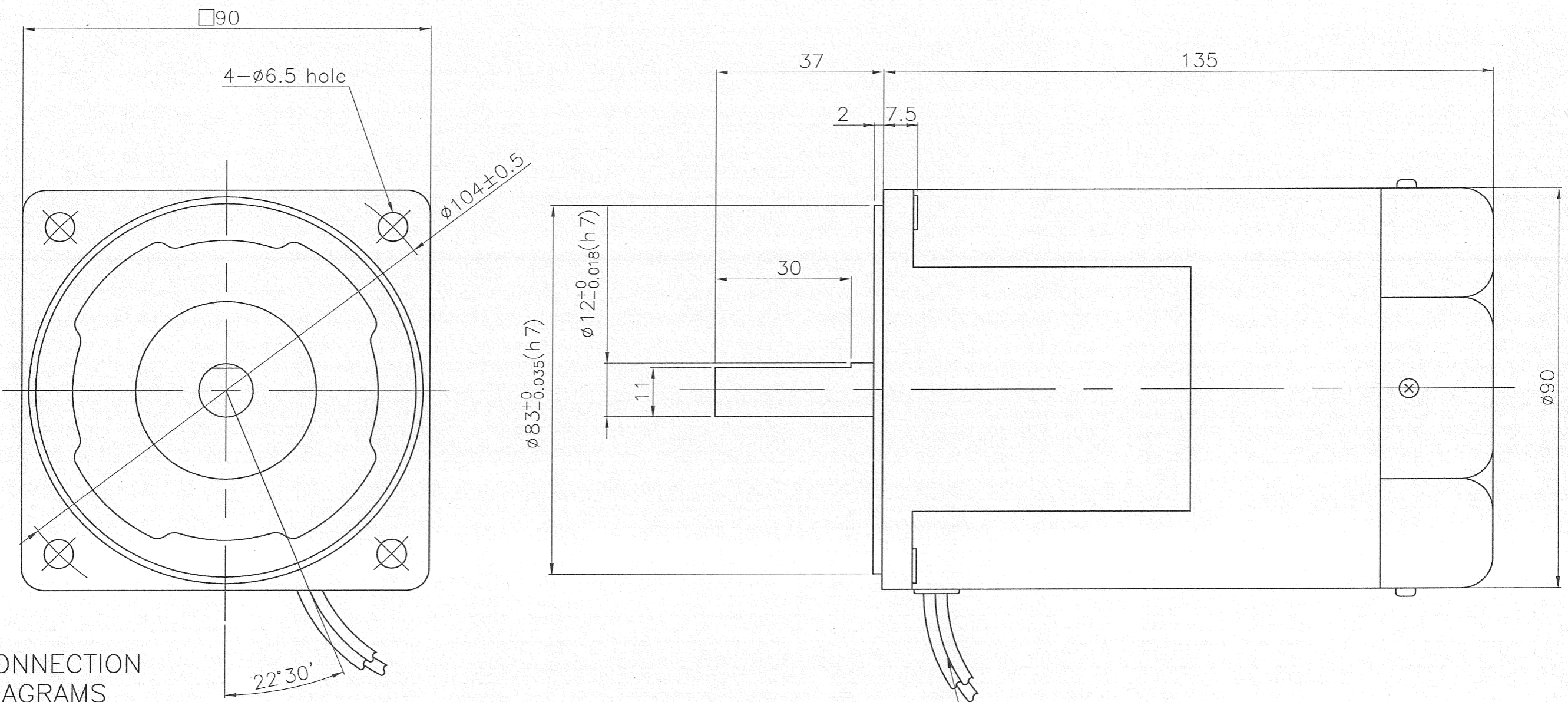


CCW :
To change
any two connections
among U, V and W.

- * CW=Clock Wise, CCW=Counter Clock Wise
- * The Direction of motor rotation is as viewed from the front shaft end of the motor.
- * C = Capacitor = Condenser

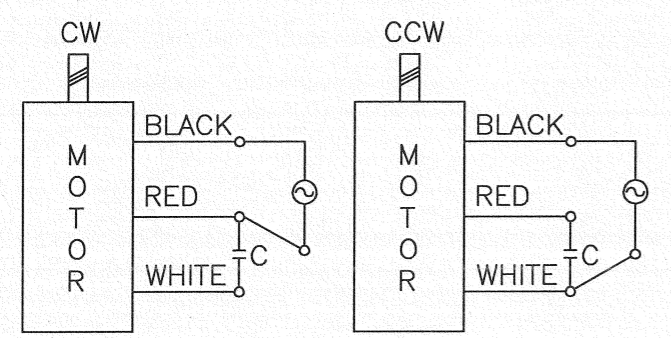
DRAW	12. 11. 7	SCALE : 1/1	PART NAME	OUTLINE
DESIGNED		UNIT : mm	APPLICATION MODEL	K9□P90F□
CHECKED				K9□P120F□ (For 60Hz)
APPROVED				K9□P150F□ (For 60Hz)
			DWG NO.	2-OL-00028
GLOBAL GEARED MOTOR				

No.	REMARK	REVISION No.	SIGN

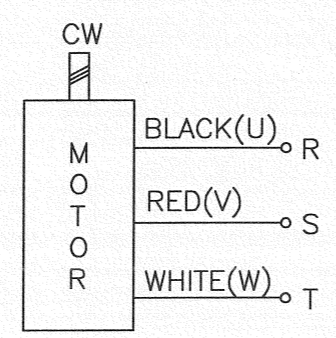


■ CONNECTION DIAGRAMS

SINGLE-PHASE MOTOR



THREE-PHASE MOTOR



CCW :
To change
any two connections
among U, V and W.

- * CW=Clock Wise, CCW=Counter Clock Wise
- * The Direction of motor rotation is as viewed from the front shaft end of the motor.
- * C = Capacitor = Condenser

DRAW	12. 11. 7	SCALE : 1/1	PART NAME	OUTLINE
DESIGNED		UNIT : mm	APPLICATION MODEL	K9□S90F□, K9□S120F□(For 60Hz)
CHECKED				K9□S150F□(For 60Hz), K9IS150F□ -2P
APPROVED			RELATION DWG.	DWG NO.
G G M GLOBAL GEARED MOTOR				