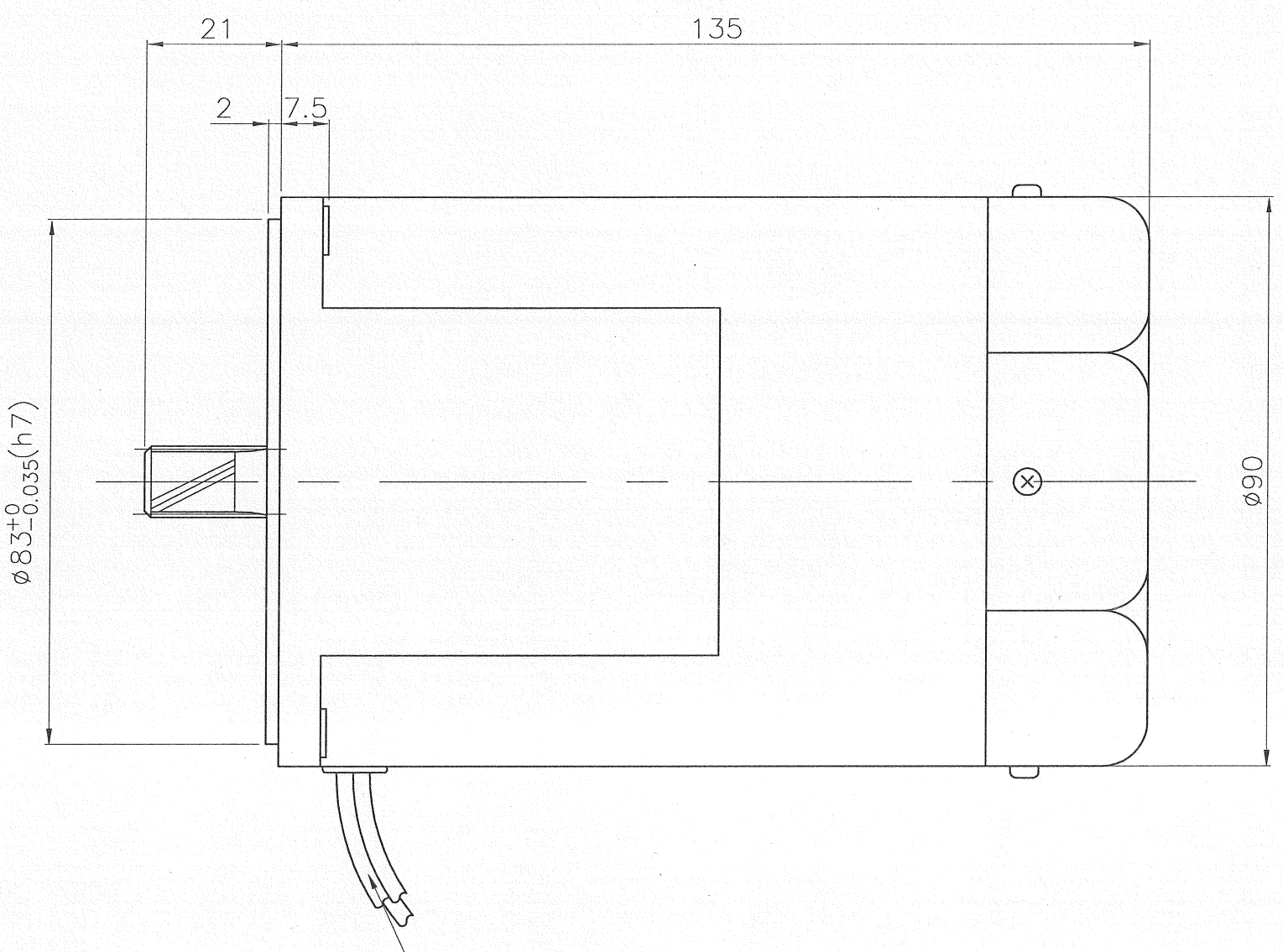
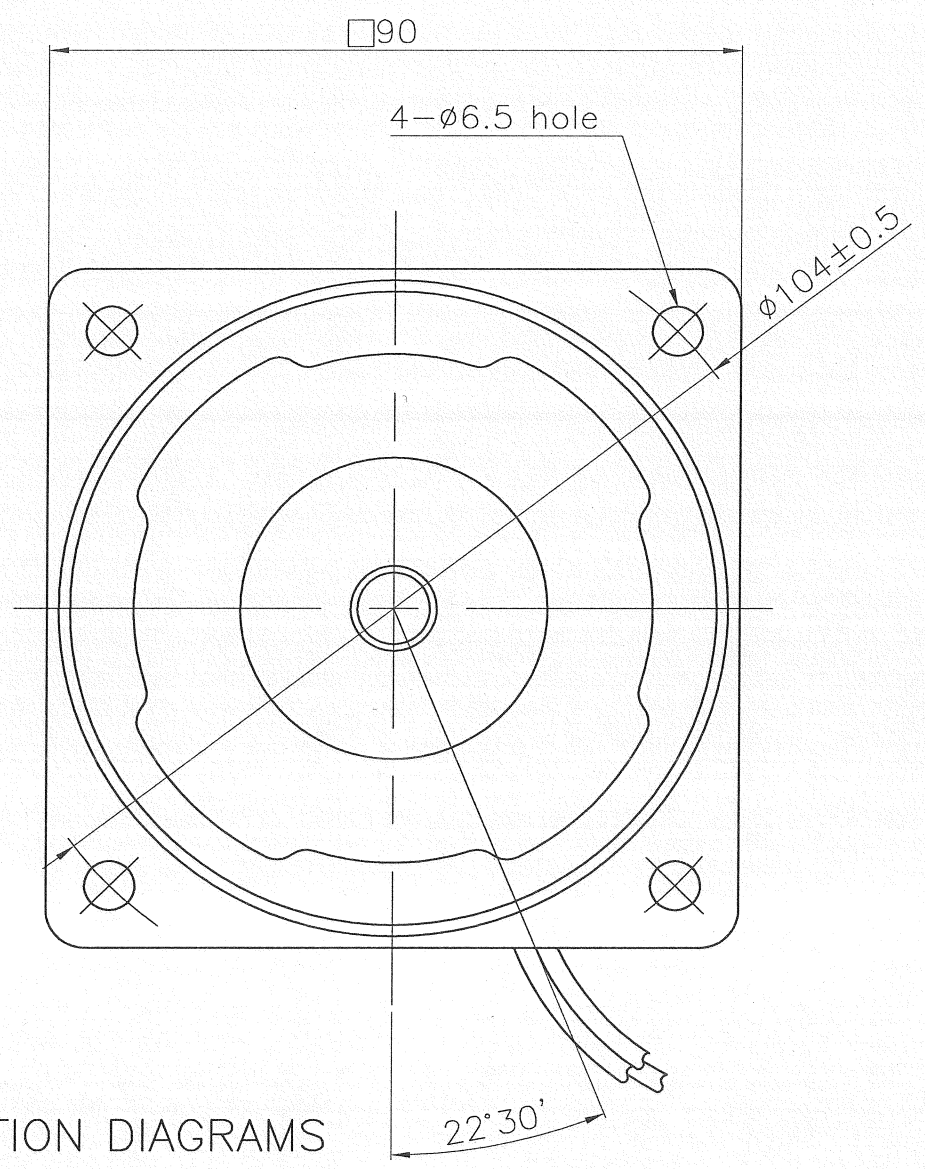


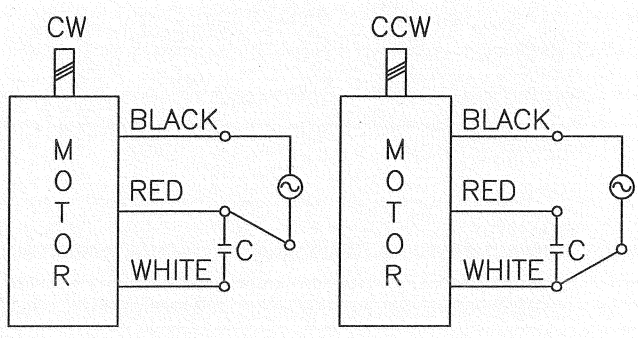
No.	REMARK	REVISION No.	SIGN



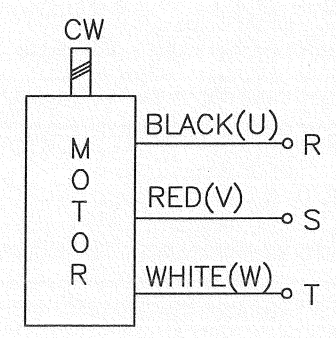
MOTOR LEAD WIRE 300mm  
UL Style 3271 , AWG20

■ CONNECTION DIAGRAMS

SINGLE-PHASE MOTOR



THREE-PHASE MOTOR

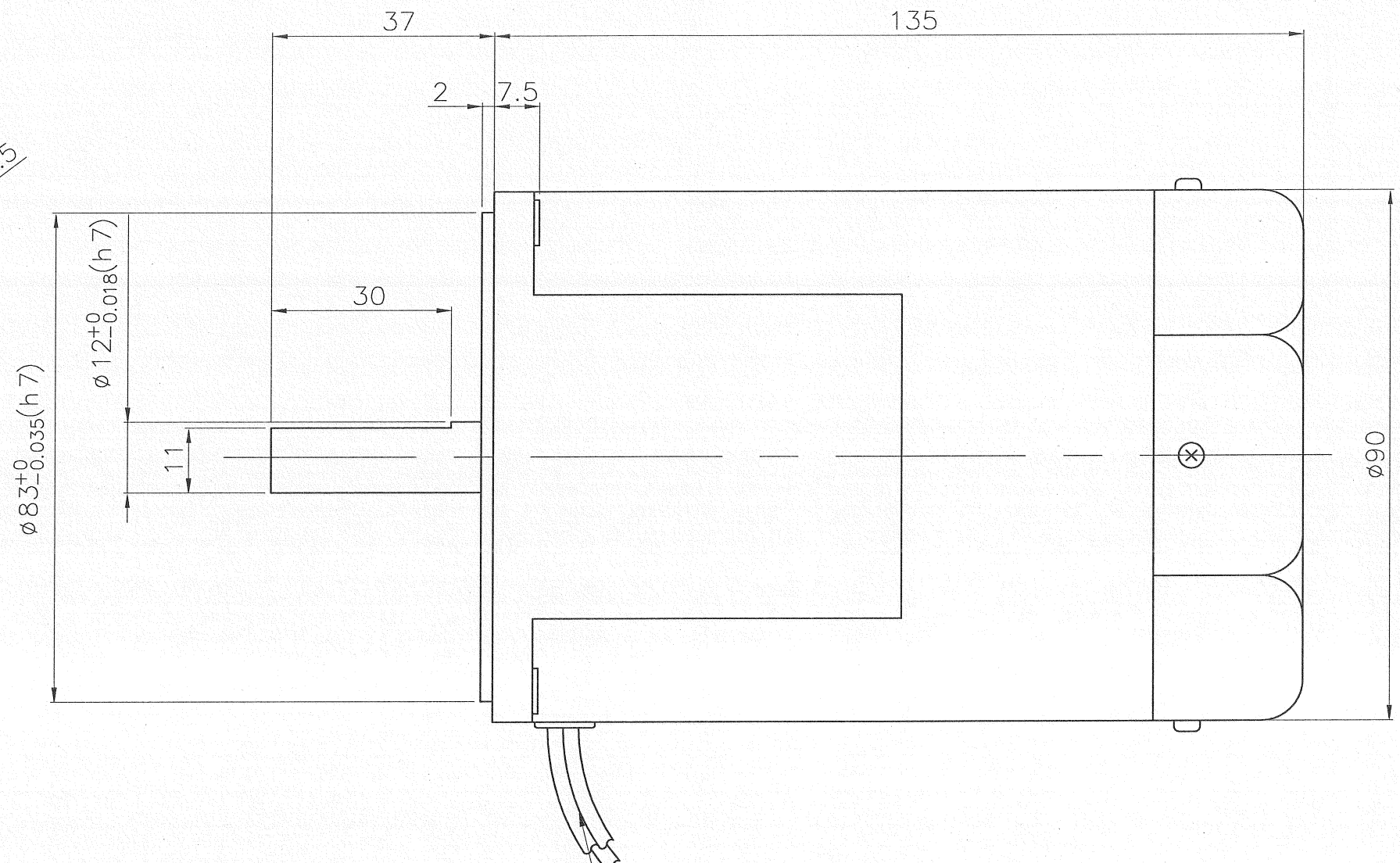
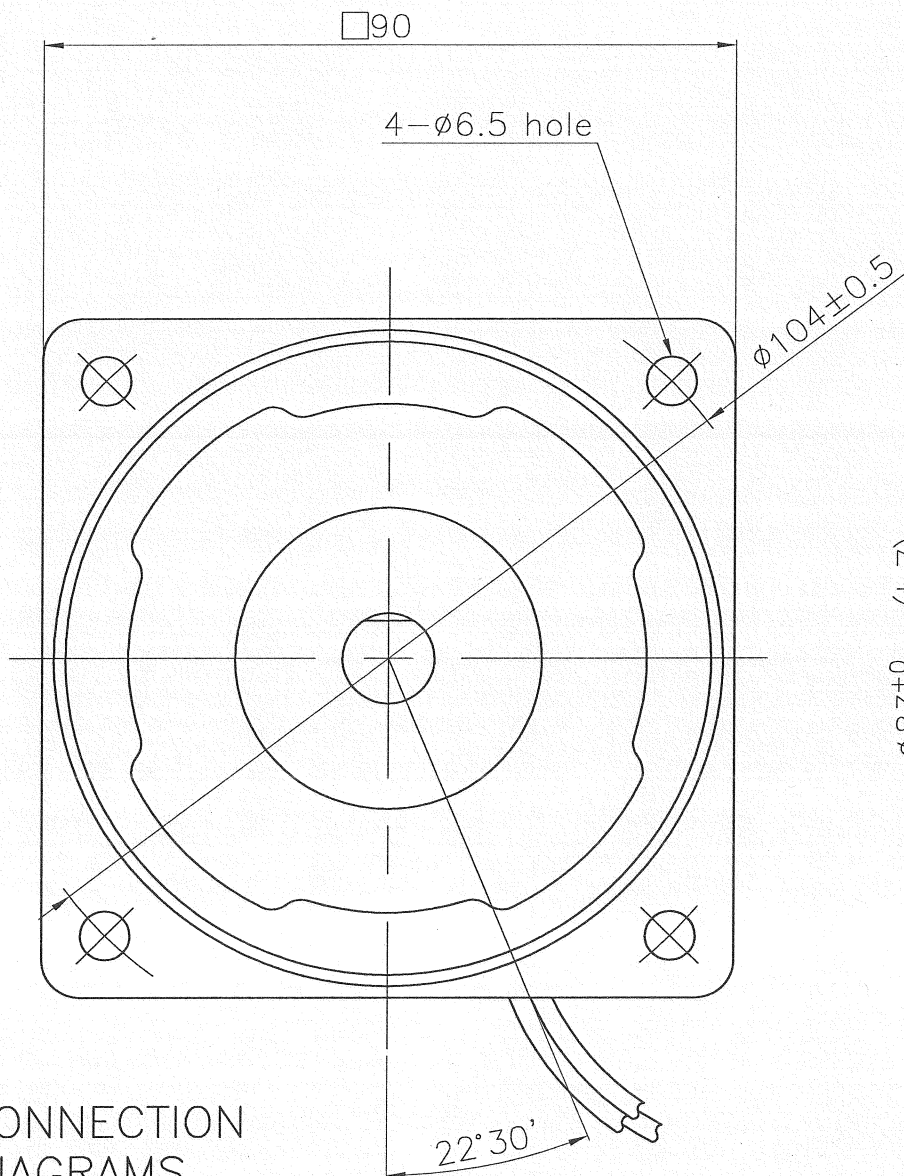


CCW :  
To change  
any two connections  
among U, V and W.

- \* CW=Clock Wise, CCW=Counter Clock Wise
- \* The Direction of motor rotation is as viewed from the front shaft end of the motor.
- \* C = Capacitor = Condenser

DRAW	12. 11. 7	SCALE : 1/1	PART NAME	OUTLINE
DESIGNED		UNIT : mm	APPLICATION MODEL	K9□P90F□
CHECKED				K9□P120F□ (For 60Hz)
APPROVED				K9□P150F□ (For 60Hz)
			DWG NO.	2-OL-00028
GLOBAL GEARED MOTOR			RELATION DWG.	

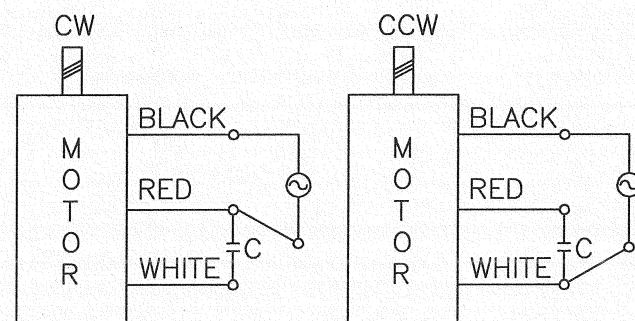
No.	REMARK	REVISION No.	SIGN



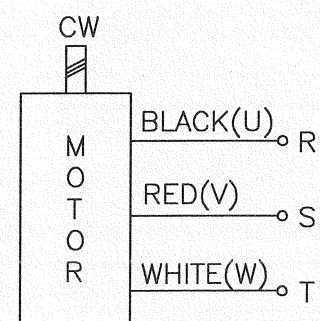
MOTOR LEAD WIRE 300mm  
UL Style 3271, AWG20

■ CONNECTION DIAGRAMS

SINGLE-PHASE MOTOR



THREE-PHASE MOTOR



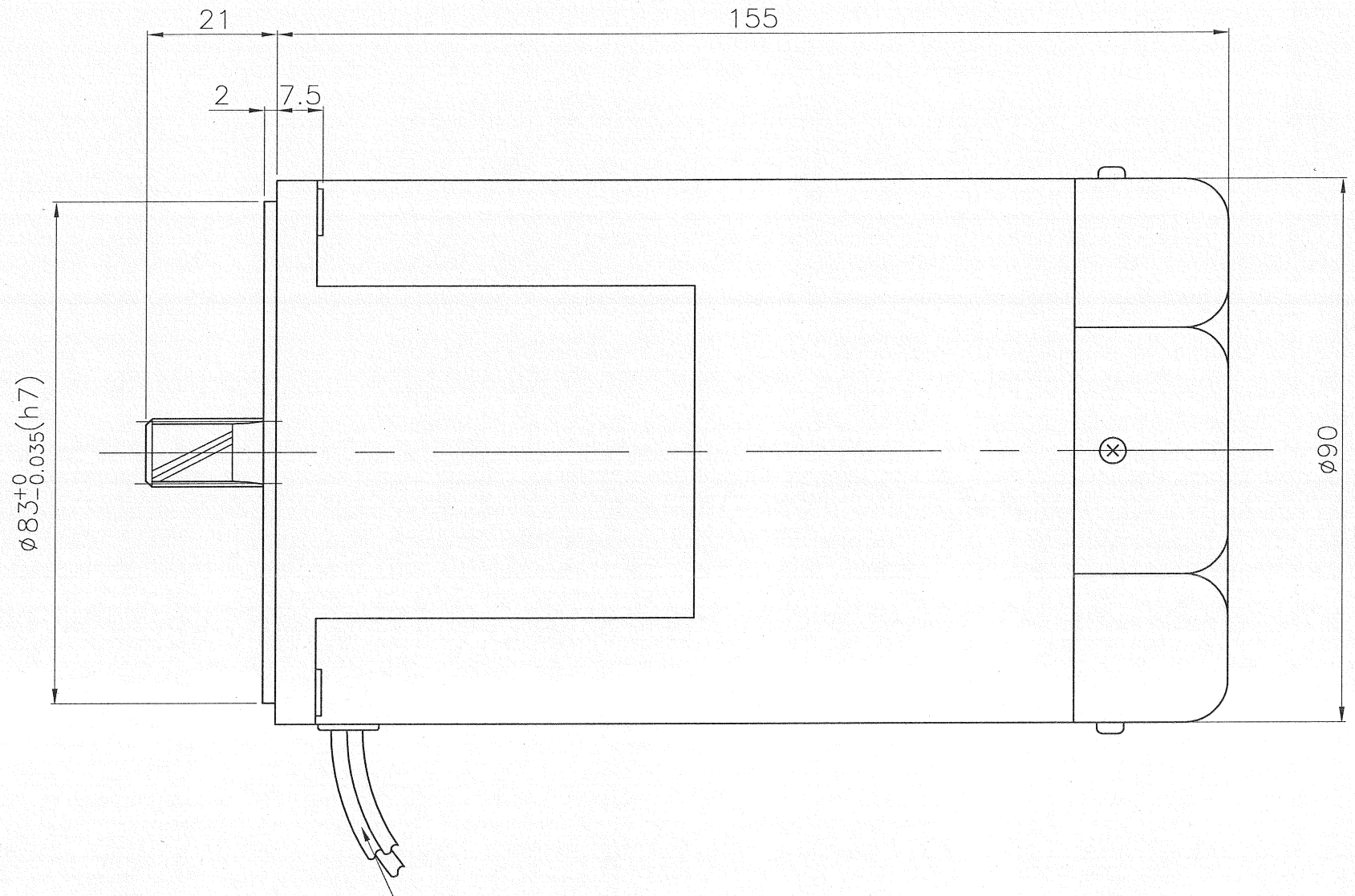
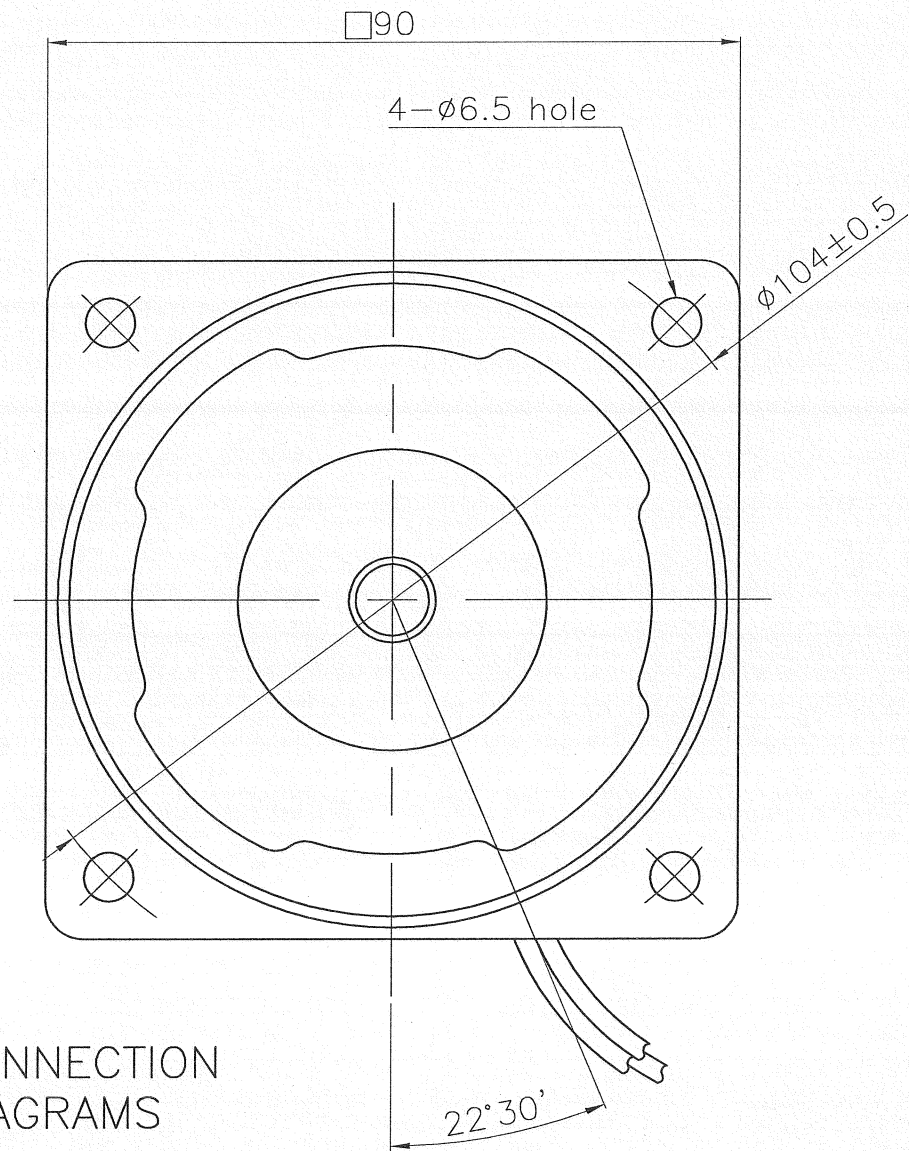
CCW :  
To change  
any two connections  
among U, V and W.

- \* CW=Clock Wise, CCW=Counter Clock Wise
- \* The Direction of motor rotation is as viewed from the front shaft end of the motor.
- \* C = Capacitor = Condenser

DRAW	12. 11. 7	SCALE : 1/1	PART NAME	OUTLINE
DESIGNED		UNIT : mm	APPLICATION MODEL	
CHECKED			K9□S90F□, K9□S120F□(For 60Hz)	
APPROVED			K9□S150F□(For 60Hz), K9IS150F□ -2P	
			DWG NO.	2-0L-00029
GLOBAL GEARED MOTOR				



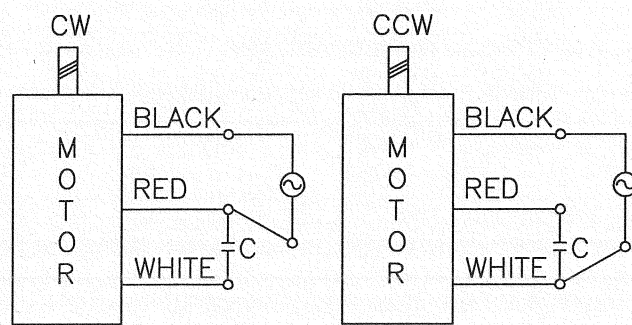
No.	REMARK	REVISION No.	SIGN



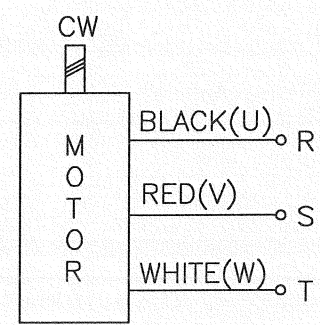
MOTOR LEAD WIRE 300mm  
UL Style 3271 , AWG20

■ CONNECTION DIAGRAMS

SINGLE-PHASE MOTOR



THREE-PHASE MOTOR

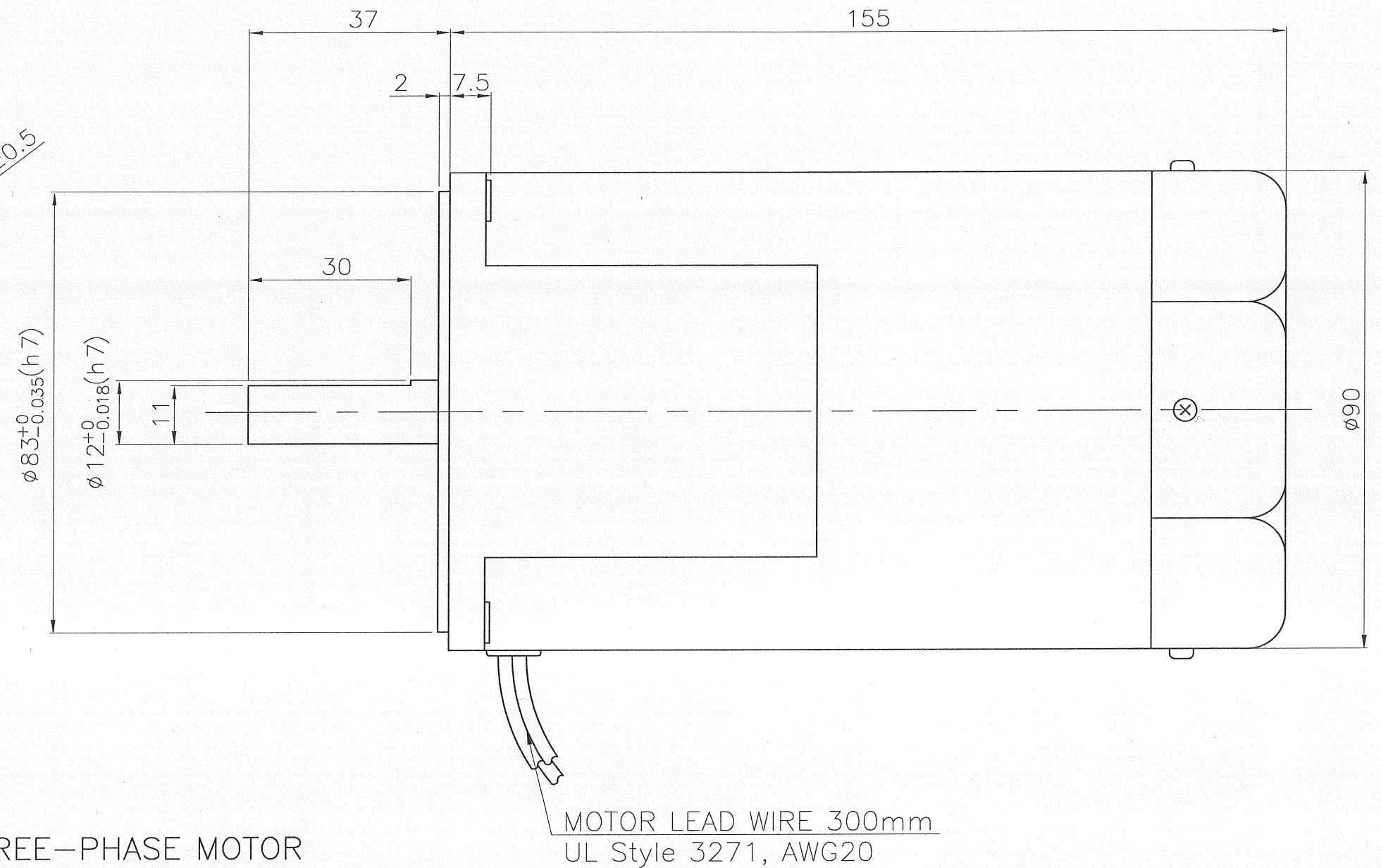
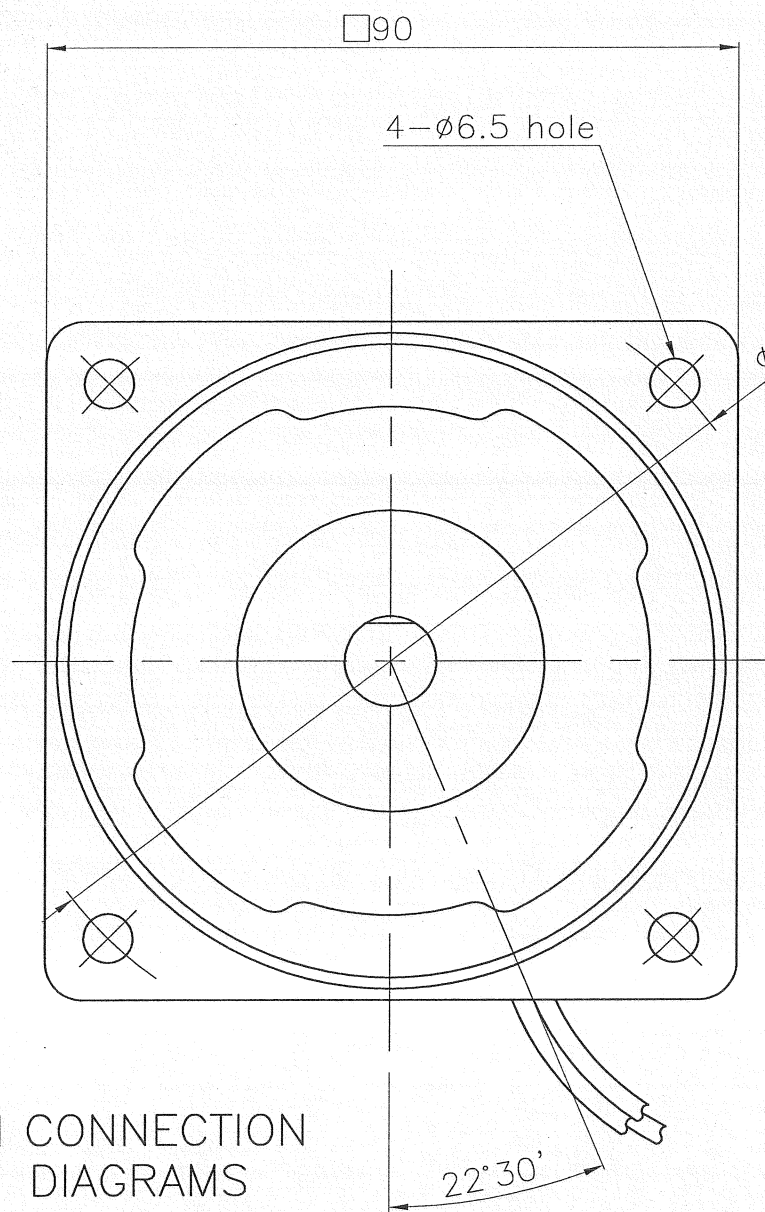


CCW :  
To change  
any two connections  
among U, V and W.

- \* CW=Clock Wise, CCW=Counter Clock Wise
- \* The Direction of motor rotation is as viewed from the front shaft end of the motor.
- \* C = Capacitor = Condenser

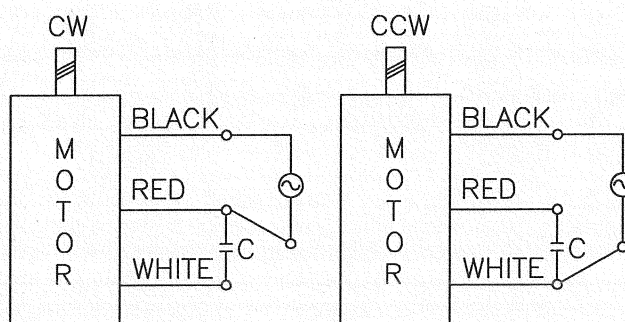
DRAW	12. 11. 7	SCALE : 1/1	PART NAME	OUTLINE
DESIGNED		UNIT : mm	APPLICATION MODEL	K9□P120F□-C50(For 50Hz)
CHECKED			APPLICATION MODEL	K9□P150F□-C50(For 50Hz)
APPROVED			DWG NO.	2-0L-00624
<b>G G M</b> GLOBAL GEARED MOTOR				

No.	REMARK	REVISION No.	SIGN

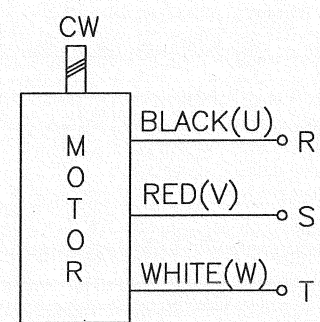


■ CONNECTION DIAGRAMS

SINGLE-PHASE MOTOR



THREE-PHASE MOTOR



CCW :  
To change  
any two connections  
among U, V and W.

- \* CW=Clock Wise, CCW=Counter Clock Wise
- \* The Direction of motor rotation is as viewed from the front shaft end of the motor.
- \* C = Capacitor = Condenser

DRAW	12. 11. 7	SCALE : 1/1	PART NAME	OUTLINE
DESIGNED		UNIT : mm	APPLICATION MODEL	K9□S120F□-C50(For 50Hz)
CHECKED				K9□S150F□-C50(For 50Hz)
APPROVED			RELATION DWG.	DWG NO.
<b>G G M</b> GLOBAL GEARED MOTOR				