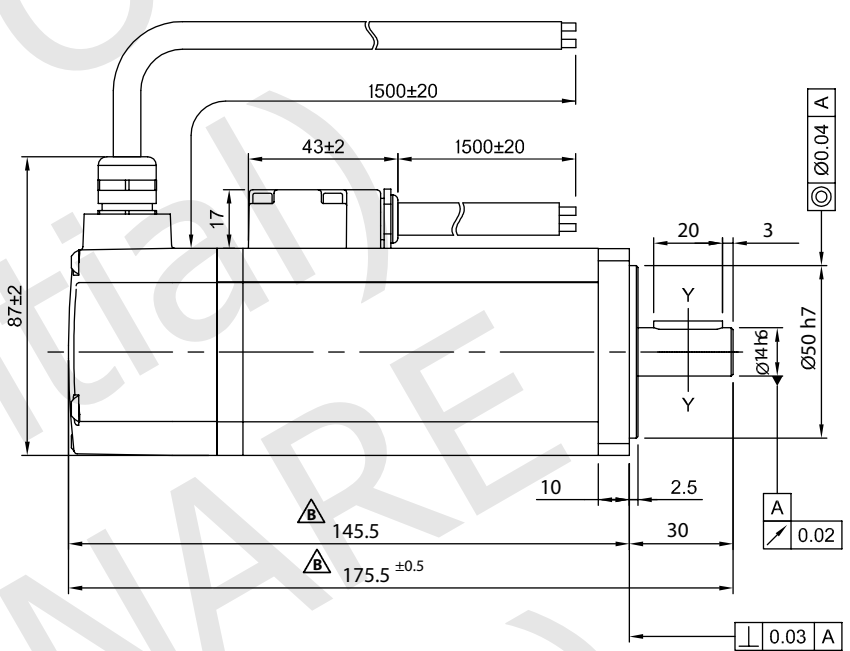
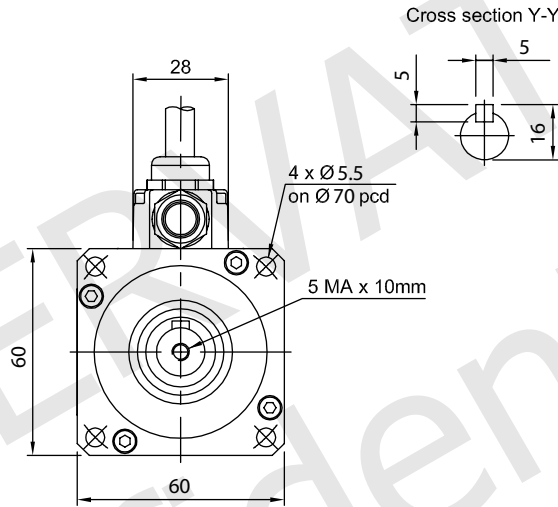


RoHS



ENCODER SPECIFICATIONS	
ENCODER TYPE	Absolute multiturn
SINGLE TURN RESOLUTION	17 bits
MULTI TURN RESOLUTION	16 bits
POWER SUPPLY	5.00 Vdc
OUTPUT	BISS-C
MOTOR SPECIFICATIONS	
POLE PAIRS	4
APPLIED VOLTAGE	230 Vac
RATED POWER	400 W
STALL TORQUE	1.35 Nm
STALL CURRENT	2.12 A
RATED TORQUE	1.27 Nm
RATED CURRENT	2.00 Arms
PEAK TORQUE	4.05 Nm
PEAK CURRENT	8.50 Arms
RATED SPEED	3000 rpm
MAX SPEED	4000 rpm
TORQUE CONSTANT	0.635 Nm/Arms ±5%
VOLTAGE CONSTANT	40.60 Vrms/Krpm ±5%
LINE TO LINE RESISTANCE	7.15 ohm ±5%
LINE TO LINE INDUCTANCE	21.00 mH ±5%
ROTOR INERTIA	0.228 Kg.m <sup>2</sup> x10 <sup>-4</sup>
AMBIENT TEMPERATURE	+0°C ~ +40°C
WEIGHT	2.15 Kg.
PROTECTION	IP65
INSULATION CLASS	Class F, 155°
MAX RADIAL LOAD	250 N
MAX AXIAL LOAD	80 N

MOTOR POWER					
CABLE AWG12	CABLE 4x1,5+(2x1)	CABLE 4x1	CABLE 4x0.5	CABLE 6x0.5	FUNCTION
black	1	black	green	1	U
blue	2	grey	white	2	V
red	3	brown	brown	3	W
yellow/green +shield	yellow/green +shield	yellow/green +shield	yellow/green +shield	yellow/green +shield	GND

FEEDBACK SIGNALS	
color	ENCODER signal
red	Vcc
green	Data
black	GND
brown	Clock
blue	Preset
grey	Config
white	Clock/
yellow	TS+
pink	TS-
red/blue	Data/

**Labels**

CODE **BA24SA0402A0010**

U <sub>N</sub>	230 Vac	n	3000r/min
K <sub>e</sub>	40.6 V/Krpm	DUTY	51
I <sub>N</sub>	2.00 A	InC	F
M <sub>N</sub>	1.27 Nm	IP code	65
M <sub>stall</sub>	1.35 Nm	S.N.	yyyyyy
P <sub>N</sub>	400 W	DATE	xx/xx/xxxx

UNIT: mm	DESIGN	Stm02173-01b
UNLESS OTHERWISE SPECIFIED TOLERANCES	CHECK	
DIMENSIONS : ±0.3 mm DEGREES : ±5%	APPROVED	
DRAWING NOT TO SCALE	DATE	19 / 10 / 2022

**BA24SA0402A0010**  
AC BRUSHLESS MOTOR SPECIFICATION

REV	DESCRIPTION
00a	First release.
00b / 01b	Updated the motor length.

www.everelettronica.it