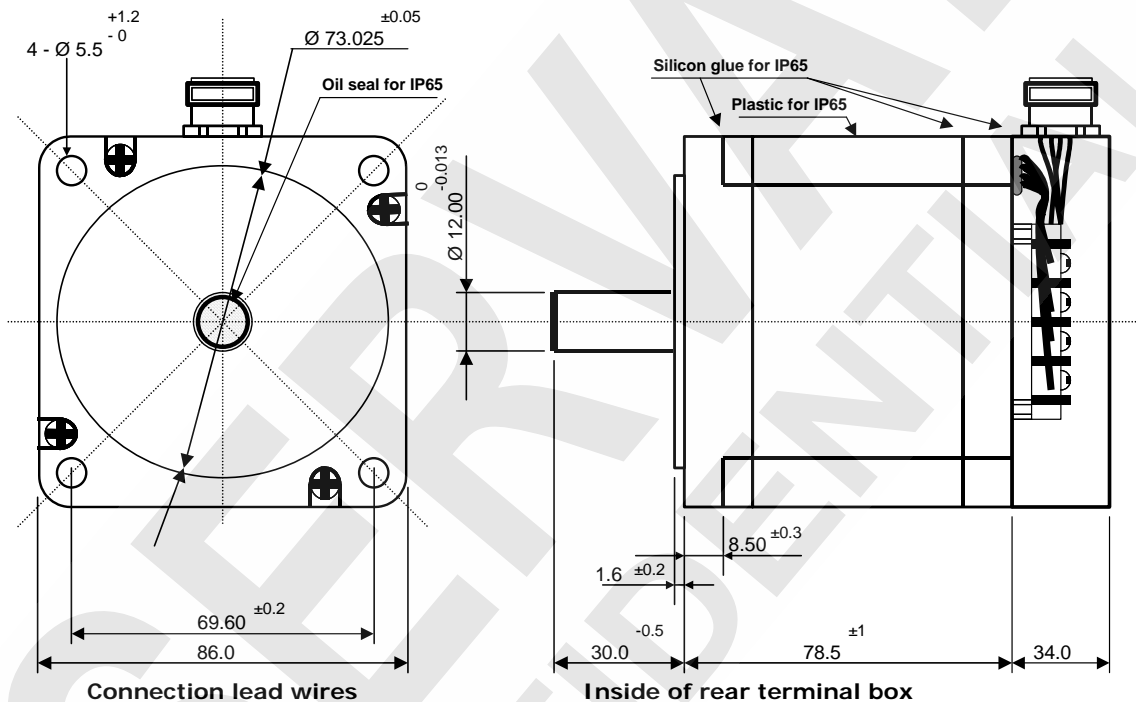


Motor Size	3.4" – 86 mm square shape	Step Angle	1,8° ±6%
Front Shaft	30.0 mm length – Ø 12.0 mm	Rear Shaft	None
Phases	3 phases (U, V, W)	Poles	50
Winding	# 3 lead wires	Lead Wire Length	Custom connector as dwg
Max Voltage	35 Volt DC	Rated Current	5.80 Amps/phase
Resistance	0.55 ohm ±10%	Inductance	--- mH ±20%
Motor Rotor Inertia	950 g.cm²	Motor Holding Torque	4.18 Nm
Ambient temperature	-20°C ~ +40°C	Temperature rise	80K max
Shaft thrust load	60 N	Shaft radial load	220 N (at front shaft end)
Protection	IP65	Insulation class	F, 155°C

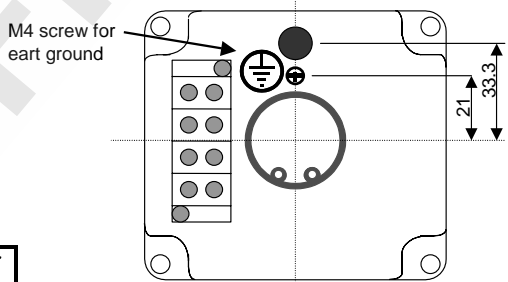
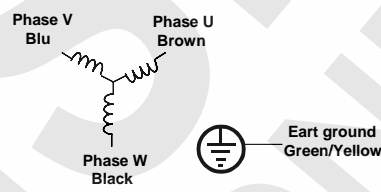
Mechanical drawings

(Dimensions in mm)



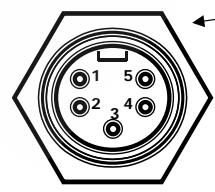
Connection lead wires

Inside of rear terminal box



Winding	Lead color	MS connector lead wires	MS connector pin out
U	Brown / 1	Black	1
V	Blu / 2	Blu	2
W	Black / 3	Brown	5
GND	(Screw on rear flange)	Green/Yellow	3

Rear terminal box



Motor connector
Series R3240 (IP67)
Male socket with 200 mm wires 0.75 mm²
code: HDEM 00538 6A7 0200 000

