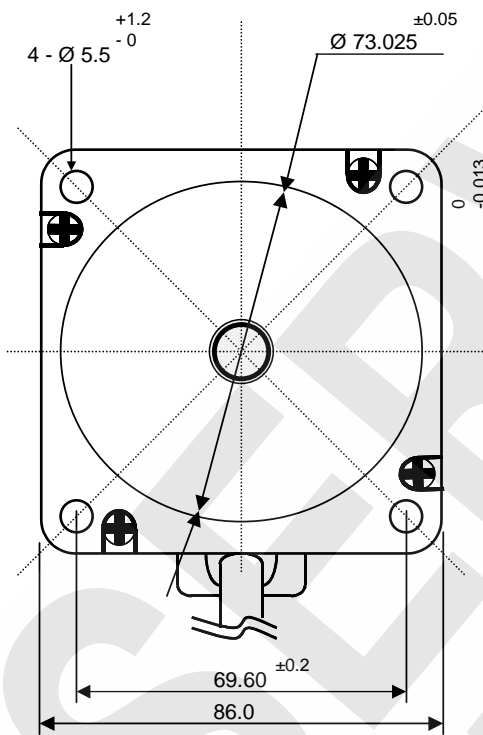


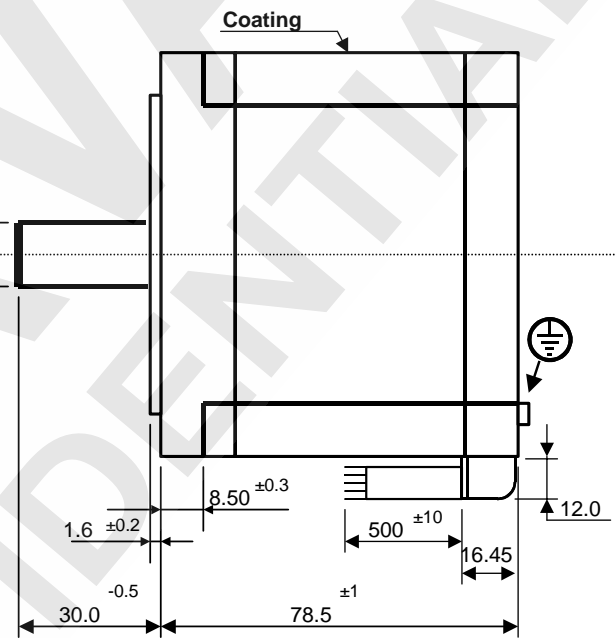
Motor Size	3.4" – 86 mm square shape	Step Angle	1,2° ±6%
Front Shaft	30.0 mm length – Ø 12.0 mm	Rear Shaft	None
Phases	3 phases (U, V, W)	Poles	50
Winding	# 3 lead wires	Lead Wire Length	500 mm ±10mm with tube as drawing
Max Voltage	35 Volt DC	Rated Current	5.80 Amps/phase
Resistance	0.55 ohm ±10%	Inductance	--- mH ±20%
Motor Rotor Inertia	950 g.cm²	Motor Holding Torque	4.18 Nm
Ambient temperature	-20°C ~ +40°C	Temperature rise	80K max
Shaft thrust load	60 N	Shaft radial load	220 N (at front shaft end)
Protection	IP41	Insulation class	F, 155°C

Mechanical drawings

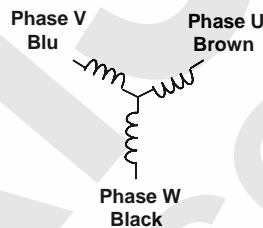
(Dimensions 3 in mm)



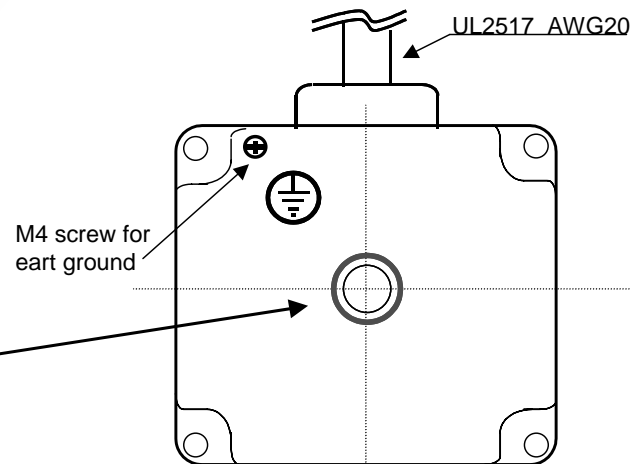
Connection lead wires



Rear flange



Motor labelling



	MOTOR SPEC: STM01221-00	DATE: October, 2nd 2015	CUSTOMER APPROVAL: _____
	MOTOR CODE: MT34H331058M301		CUSTOMER CODE: _____