

# DKM AC/DC Geared Motor and Gearhead

dkmmotor.com



**Contents**

**Page**

DKM AC/DC Motor Lineup

5

AC Geared Motor

Induction Motor

2 Pole Motor

Reversible Motor

Electromagnetic Brake Motor

Clutch & Brake Motor

Torque Motor

Speed Control Motor

DC Geared Motor

Gearhead

DKM Global Network

6

8

10

12

14

16

18

20

21

24

**DKM AC/DC Motor Lineup**

**AC Geared Motor**

● = Available

Frame Size	□ 60mm			□ 70mm			□ 80mm			□ 90mm				
	6W	10W	15W	15W	25W	40W	60W	90W	120W	150W	180W	200W		
Output	●	●	●	●	●	●	●	●	●	●	●	●		
Induction Motor	●													
2 Pole Motor														
Reversible Motor	●	●	●	●	●	●	●	●	●	●				
Electromagnetic Brake Motor														
Clutch & Brake Motor														
Torque Motor		●			● (10W)	● (20W)	● (30W)	● (40W)						
Speed Control Induction		●	●	●	●	●	●	●	●		●			
Speed Control Reversible		●	●	●	●	●	●	●	●					
Speed Control Brake														
Speed Control Clutch & Brake														

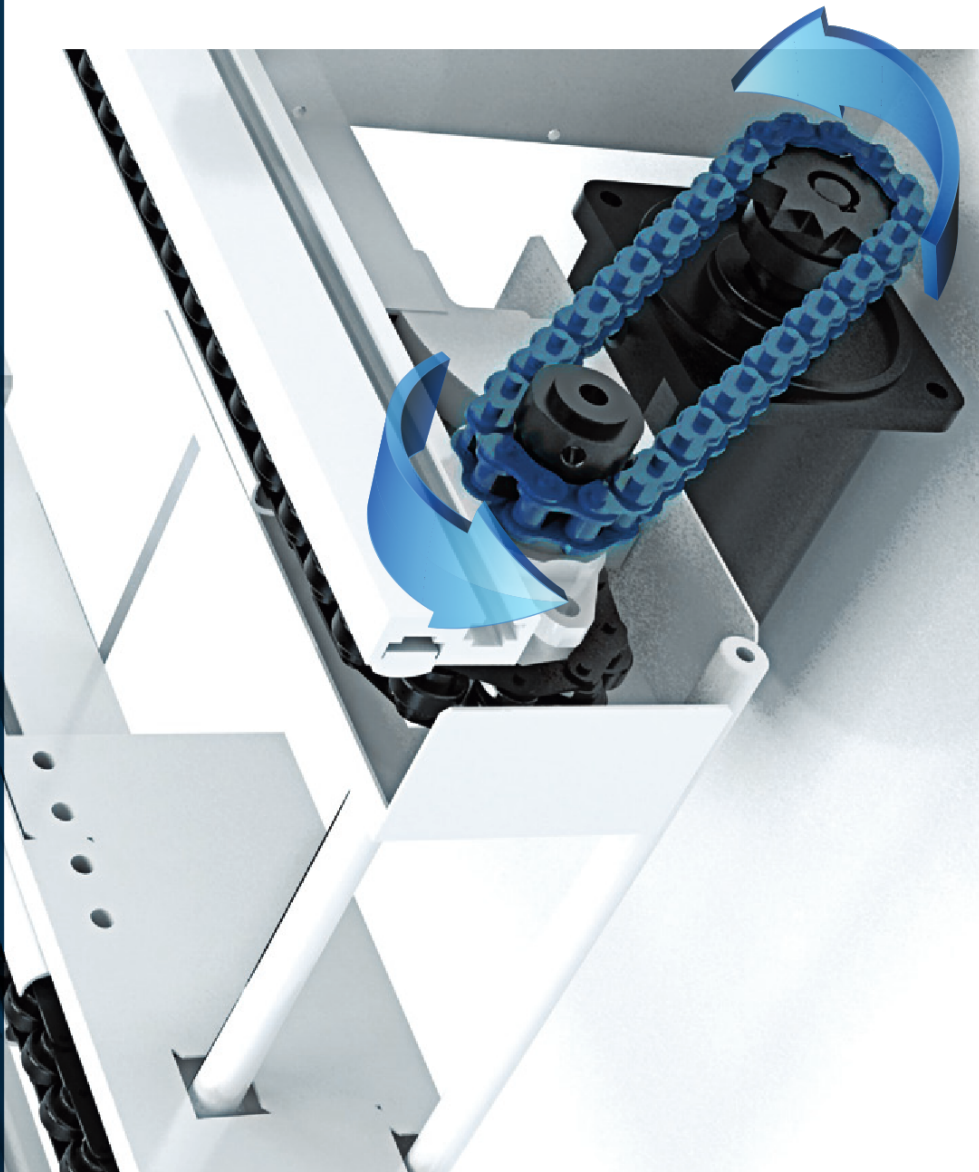
**DC Geared Motor**

Frame Size	□ 60mm			□ 80mm			□ 90mm			Connection
	15W	25W	40W	40W	60W	90W	120W			
Output	●	●	●	●	●	●	●	●		
Voltage	DC 12V	●	●	●	●	●	●	●	●	Lead Wire Type
	DC 24V	●	●	●	●	●	●	●		
	DC 90V	●	●	●	●	●	●	●		



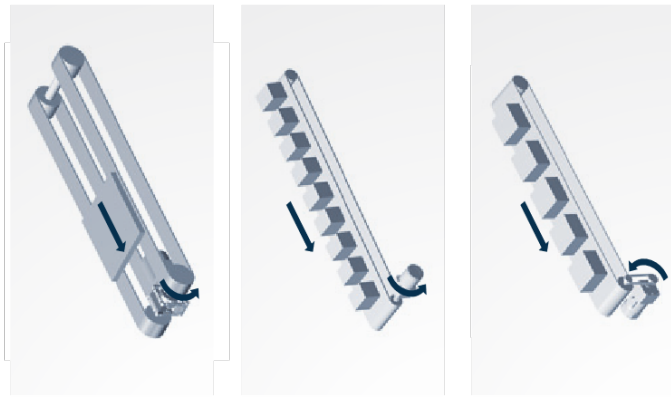
AC Geared Motor

# Induction Motor

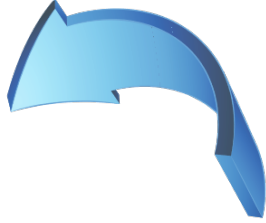


## AC Geared Motor / Induction Motor

- Constant speed with continuous operation
- Stop in 2 sec. when switched off
- Over run: 30-40 times
- Possible for reverse rotation
- Rated operating time: Continuous run
- Frame Size: 60/70/80/90mm
- Output: 6W, 10W, 15W, 25W, 40W, 60W, 90W, 120W, 150W, 180W, 200W
- Voltage: Single phase 100V-115V, 200V-240V and three phase 200V-440V
- Connection: Lead wire type and terminal box type

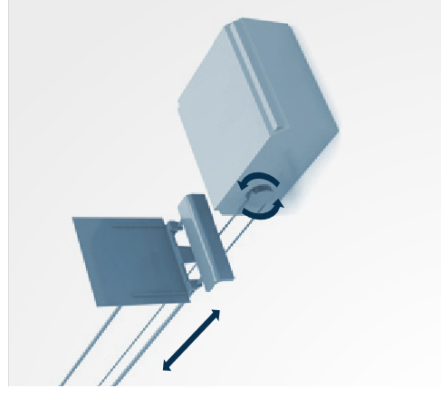


## AC Geared Motor 2 Pole Motor



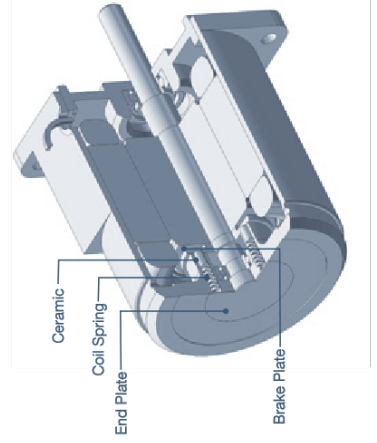
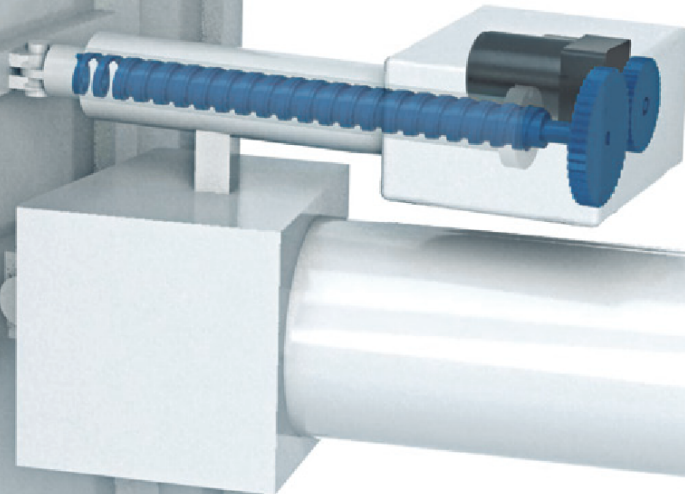
### AC Geared Motor / 2 Pole Motor

- High speed rotation
- 3,600 RPM (60Hz)
- 3,000 RPM (50Hz)
- Used without gearhead
- Possible for reverse rotation
- Rated operating time: Continuous run
- Frame Size: 80/90mm
- Output: 15W, 25W, 40W, 60W, 90W, 120W, 150W, 200W
- Voltage: Single phase 100V-115V, 200V-240V and three phase 200V-440V
- Connection: Lead wire type and terminal box type



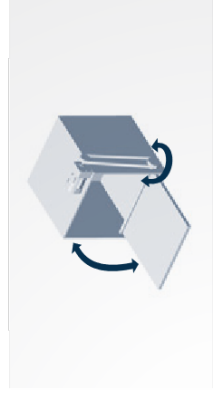
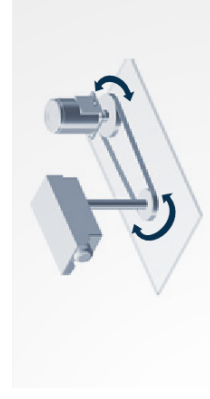
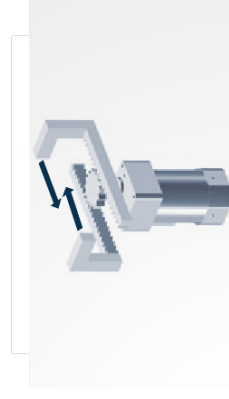
AC Geared Motor

# Reversible Motor



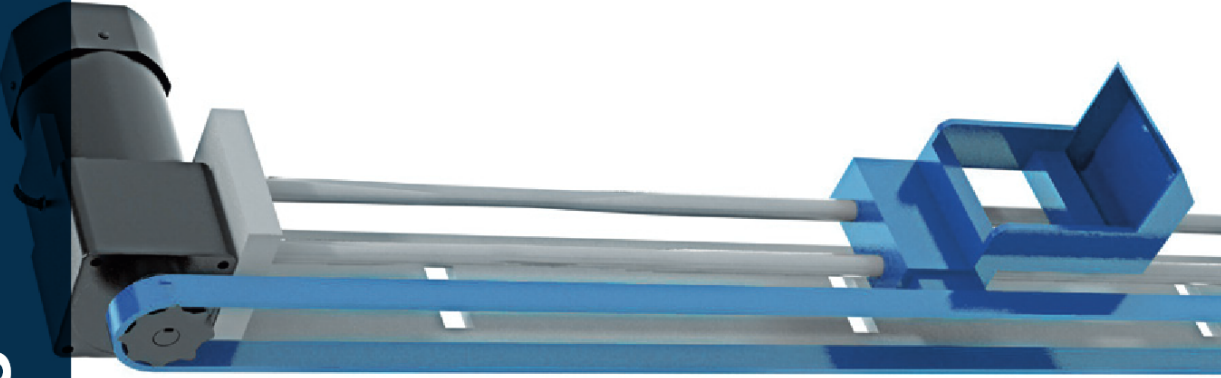
## AC Geared Motor / Reversible Motor

- Suitable for frequent reverse operation
- Stop in 0.5 sec. when switched off
- Over run: 5-6 times
- Possible for reverse rotation
- Rated operating time: 30 min.
- Frame Size: 60/70/80/90mm
- Output: 6W, 10W, 15W, 25W, 40W, 60W, 90W, 120W
- Voltage: Single phase 110V-115V and 200V-240V
- Connection: Lead wire type and terminal box type



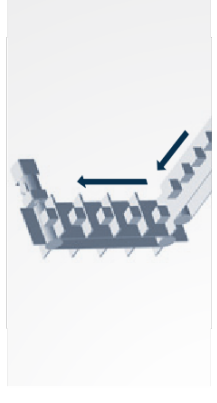
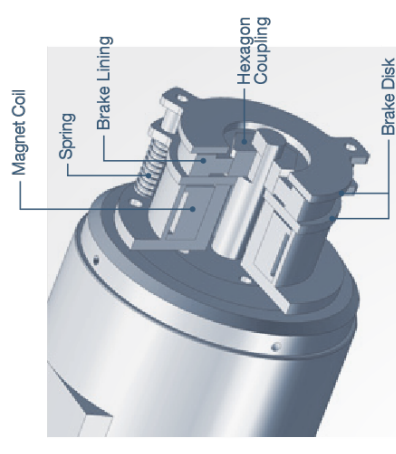
AC Geared Motor

# Electromagnetic Brake Motor



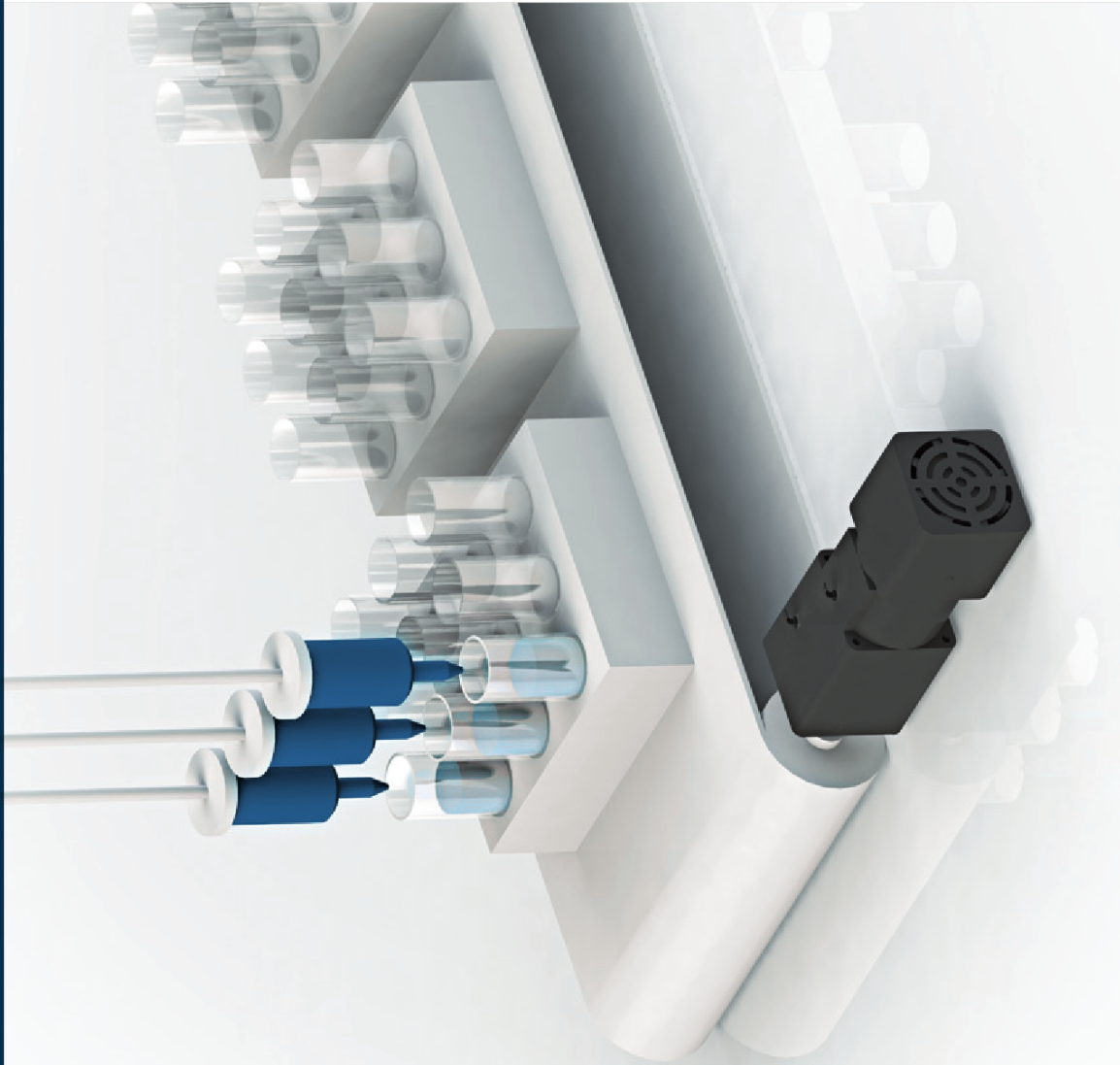
## AC Geared Motor / Electromagnetic Brake Motor

- Suitable for operation where load should be maintained
- Stop in 0.2 sec. when switched off
- Over run: 2-3 times
- Possible for reverse rotation
- Rated operating time: 30 min. (Single phase), Continuous run (Three phase)
- Frame Size: 70/80/90mm
- Output: 6W, 10W, 15W, 25W, 40W, 60W, 90W, 120W, 150W, 180W, 200W
- Voltage: Single phase 100V-115V, 200V-240V and three phase 200V-440V
- Connection: Lead wire type



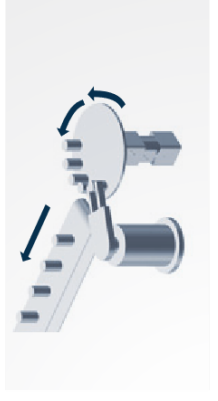
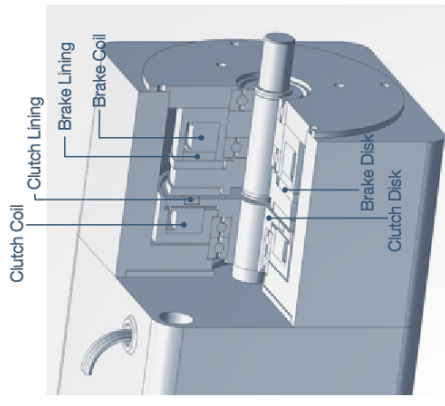
AC Geared Motor

# Clutch & Brake Motor



## AC Geared Motor / Clutch & Brake Motor

- Suitable for high frequent start and stop operation
- Stop in 0.1 sec. when switched off
- Over run: 1 time
- Possible for reverse rotation
- Rated operating time: Continuous run
- Frame Size: 80/90mm
- Output: 15W, 25W, 40W, 60W, 90W, 120W
- Voltage: Single phase 100V-115V, 200V-240V and three phase 200V-440V
- Connection: Lead wire type



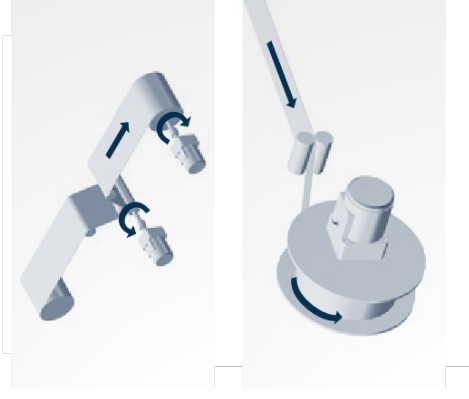
AC Geared Motor

# Torque Motor



## AC Geared Motor / Torque Motor

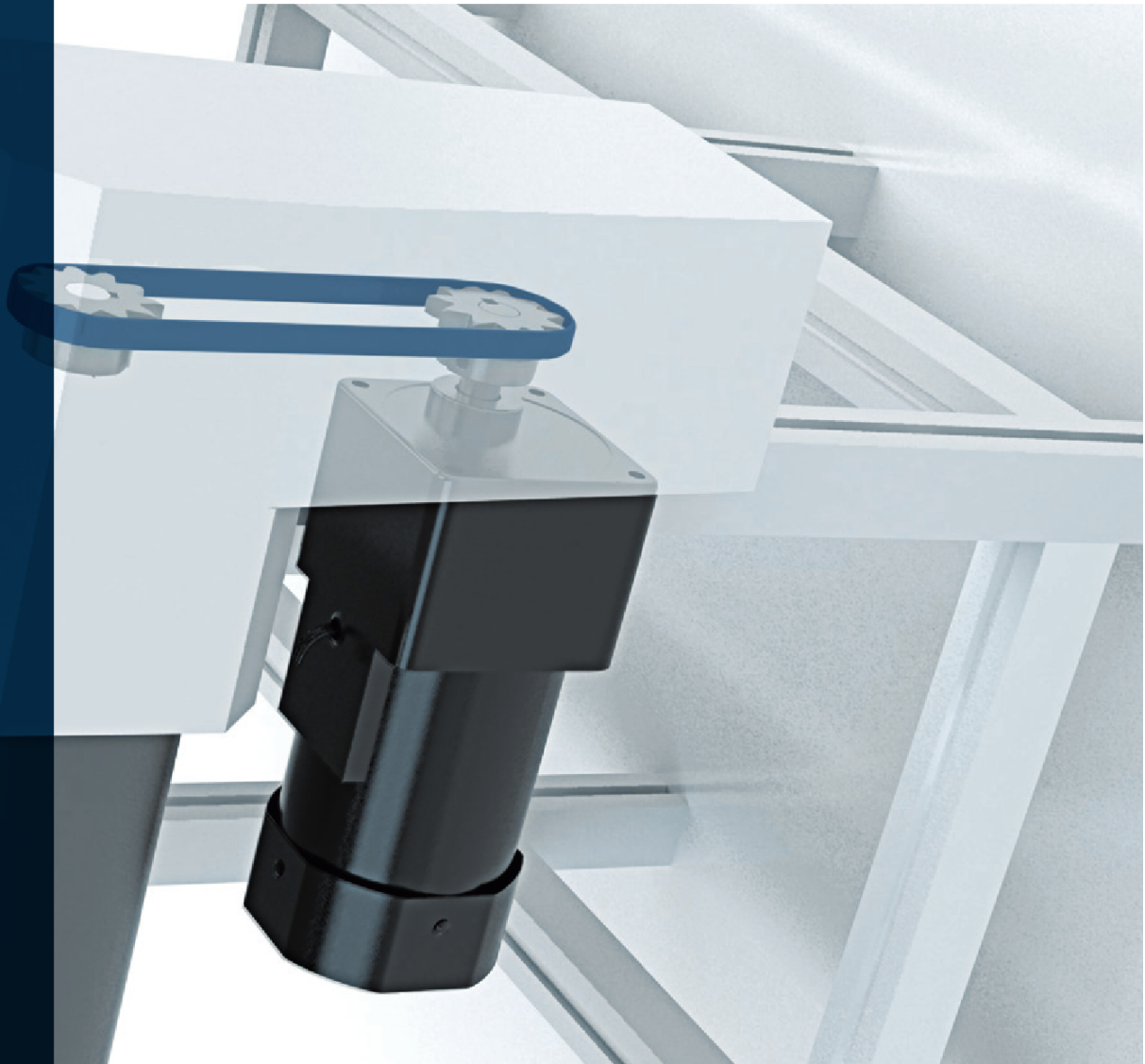
- Suitable for controlling tension and pushing in winding operations
- Possible for reverse rotation
- Easy control of motor torque by using torque controller
- By using the motor in the braking region of the speed-torque characteristics, it can be used as a brake.
- Possible for reverse rotation
- Rated operating time: 5 min. (with max. voltage), Continuous run (with 60% of max. voltage)
- Frame Size: 70/80/90mm
- Output: 6W, 10W, 20W, 30W, 40W
- Voltage: Single phase 100V-115V, 200V-240V and three phase 200V-440V
- Connection: Lead wire type





AC Geared Motor

# Speed Control Motor

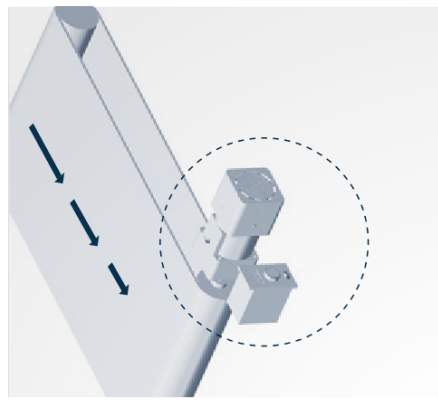


## AC Geared Motor / Speed Control Motor

- Speed Control Motor allows you to set and adjust the speed of the motor easily by using speed controller
- Type: Speed Control Induction Motor, Speed Control Reversible Motor, Speed Control Brake Motor and Speed Control Clutch & Brake Motor

## Speed Controller

- FX1000A: Front panel potentiometer, Unit type (Connecting motor with easy-to-use connector)
- DSK: Front panel potentiometer, Socket type (Connecting motor with socket)
- DSKS: Separate potentiometer, Socket type (Connecting motor with socket)



## DC Geared Motor

- Big starting torque and high efficiency
- Easy to change the normal/reverse rotation
- Available to manufacture low voltage motor which can be applied to portable machines with various specifications.
- Parallel and worm gearheads can be attached to DC motors.
- DSD Speed Controller enables to adjust the speed easily.
- Frame Size: 60/80/90mm
- Output: 15W, 25W, 40W, 60W, 90W, 120W
- Voltage: DC 12V, 24V, 90V
- Connection: Lead wire type

### Speed Controller: DSD

- Front panel potentiometer, Unit type
- Applicable to DC 90V motor
- Easy speed adjustment by potentiometer on front panel



## Gearhead

### Parallel Gearhead

- Frame Size: 60/70/80/90mm

### General Box Type (GB Type)

### Powerful Box Type (PB Type)

### Powerful Flange Type (PF Type)

### High Powerful Box Type (HB Type)

### High Powerful Flange Type (HF Type)



### Worm Gearhead

Worm gearheads allow the motor to be installed at the right or left axis of equipment such as conveyor belts. Worm solid type and worm hollow type are available.

- Frame Size
- Worm Solid Type: 80/90mm
- Worm Hollow Type: 90mm

### Worm Solid Type (W Type, Left Output Shaft)

### Worm Solid Type (W Type, Right Output Shaft)

### Worm Solid Type (W Type, Bi-directional Output Shaft)

### Worm Hollow Type (WH Type)



Inter-decimal Gearhead

In case of requiring high gear ratio that cannot be generated by single gearhead, inter-decimal gearhead is used with general gearhead. In this case only speed will reduce by 10:1 without torque increasing.

- Frame Size: 80/90mm
- Gear Ratio: 10:1



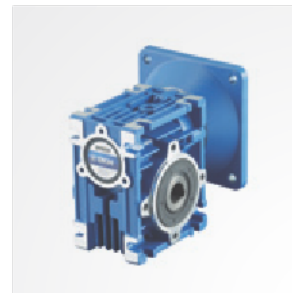
Parallel gearhead, worm gearhead and inter-decimal gearhead are available to be attached to gear type motor which possess the wide range of gear ratio from 2:1 to 360:1.

**DKM Gearheads and Gear Reduction Ratio**

● = Available

Type	Motor Output	Gearhead Model	Gear Reduction Ratio																																			
			2	3	3.6	5	6	7.5	9	10	12.5	15	18	20	25	30	36	40	50	60	75	80	90	100	120	150	180	200	250	300	360							
Parallel Gearhead	G Type	6WB□MH	●	●	●	●	●	●	●	●	●	●	●	●	●	●	●	●	●	●	●	●	●	●	●	●	●	●	●	●	●	●	●	●	●			
		6W, 10W, 15W	●	●	●	●	●	●	●	●	●	●	●	●	●	●	●	●	●	●	●	●	●	●	●	●	●	●	●	●	●	●	●	●	●	●		
		15W, 25W	●	●	●	●	●	●	●	●	●	●	●	●	●	●	●	●	●	●	●	●	●	●	●	●	●	●	●	●	●	●	●	●	●	●	●	
		40W	●	●	●	●	●	●	●	●	●	●	●	●	●	●	●	●	●	●	●	●	●	●	●	●	●	●	●	●	●	●	●	●	●	●	●	
	P Type	60W-120W	●	●	●	●	●	●	●	●	●	●	●	●	●	●	●	●	●	●	●	●	●	●	●	●	●	●	●	●	●	●	●	●	●	●	●	
Worm Gearhead	H Type	9HBK□BH/9HFK□BH	●	●	●	●	●	●	●	●	●	●	●	●	●	●	●	●	●	●	●	●	●	●	●	●	●	●	●	●	●	●	●	●	●	●	●	
		60W-200W	●	●	●	●	●	●	●	●	●	●	●	●	●	●	●	●	●	●	●	●	●	●	●	●	●	●	●	●	●	●	●	●	●	●	●	●
	W Type	8WD□BL/□BR/□BRL									● <sup>(1,2)</sup>	●	●	●	●	●	●	●	●	●	●	●	●	●	●	●	●	●	●	●	●	●	●	●	●	●	●	●
		40W-120W									● <sup>(1,2)</sup>	●	●	●	●	●	●	●	●	●	●	●	●	●	●	●	●	●	●	●	●	●	●	●	●	●	●	●
Inter-Decimal Gearhead	WH Type	9WHD□									●	●	●	●	●	●	●	●	●	●	●	●	●	●	●	●	●	●	●	●	●	●	●	●	●	●	●	
	15W, 25W	8XD10M*									●	●	●	●	●	●	●	●	●	●	●	●	●	●	●	●	●	●	●	●	●	●	●	●	●	●	●	
		40W-200W	9XD10M*																																			

Enter the gear ratio in the box( ) within the model name. Enter the model type of attaching gearhead (G/P/H/W/WH) in the place \*.



**DKM Motor Co., Ltd.**  
 4F., Incheon Techpia Na-Bldg., 223-38,  
 Seoknam2-dong, Seo-gu, Incheon,  
 Republic of Korea

Tel. +82 32 574 7788 | Fax. +82 32 578 7787  
[www.dkmmotor.com](http://www.dkmmotor.com) | [info@dkmmotor.com](mailto:info@dkmmotor.com)

Printed in Korea 09/2011

