

Example of order: MAV SC2008-140 95 - 95

## Features

### MAV SC2008

- Rigid shaft-to-shaft coupling with sleeve and shrink discs MAV 2008 – standard duty
- Medium capacity
- Connection of shafts with different diameters is possible
- Shafts tolerance: see table for shrink discs
- Shafts surface finish  $Ra < 3.2 \mu m$
- Shafts – sleeve bore contact surfaces: grease-free and dry ( $\mu = 0.15$ )

### MAV SC2208

- Rigid shaft-to-shaft coupling with sleeve and shrink discs MAV 2208 – heavy duty
- High capacity
- Connection of shafts with different diameters is possible
- Shafts tolerance: see table for shrink discs
- Shafts surface finish  $Ra < 3.2 \mu m$
- Shafts – sleeve bore contact surfaces: grease-free and dry ( $\mu = 0.15$ )

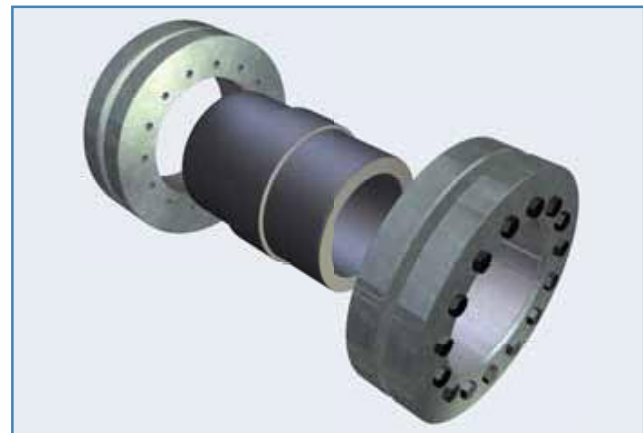
## Composition

### MAV SC2008

- Two shrink discs MAV 2008
- Unslotted coupling sleeve

### MAV SC2208

- Two shrink discs MAV 2208
- Unslotted coupling sleeve



measure	DIMENSIONS					SCREWS		FEATURES		WEIGHT kg
	ds mm	shrink disc MAV 2008 d x D	L mm	D1 mm	L1 mm	size	Ma Nm	Mt Nm	Fax kN	
20	15	20 x 46	45	25	21	M 5	4	130	17	0,34
	16							170	21	
	17							210	25	
24	19	24 x 50	50	28	22	M 5	4	220	24	0,44
	20							280	28	
	21							330	32	
30	24	30 x 60	55	34	24	M 5	4	350	29	0,68
	25							400	32	
	26							470	36	
36	28	36 x 72	65	40	26	M 6	12	770	55	1,1
	30							960	64	
	31							980	63	
44	34	44 x 80	70	49	28	M 6	12	1.200	72	1,5
	35							1.400	77	
	36							1.500	83	
50	38	50 x 90	80	55	31	M 6	12	1.500	80	2,1
	40							1.800	91	
	42							2.100	101	
55	42	55 x 100	85	60	33	M 6	12	1.700	80	2,8
	45							2.100	94	
	48							2.600	110	
62	48	62 x 110	90	68	33	M 6	12	2.700	110	3,4
	50							3.000	120	
	52							3.200	120	
68	50	68 x 115	100	74	33	M 6	12	2.500	100	3,8
	55							3.100	110	
	60							4.100	140	
75	55	75 x 138	120	81	37	M 8	30	3.500	130	6,1
	60							4.700	160	
	65							6.000	180	
80	60	80 x 145	130	86	37	M 8	30	4.100	140	6,8
	65							5.200	160	
	70							6.600	190	
85	60	85 x 155	140	96	44	M 8	30	5.400	180	10,0
	65							6.900	210	
	70							8.600	250	
90	65	90 x 155	140	96	44	M 8	30	6.200	190	9,7
	70							7.700	220	
	75							9.400	250	
95	65	95 x 170	160	106	49	M 8	30	6.800	210	14
	70							8.400	240	
	75							10.300	270	
100	70	100 x 170	160	106	49	M 8	30	7.600	220	14
	75							9.300	250	
	80							11.300	280	
105	70	105 x 185	180	116	56	M 10	59	8.100	230	19
	75							10.000	270	
	80							12.100	300	
110	75	110 x 185	180	116	56	M 10	59	9.100	240	19
	80							11.000	280	
	85							12.200	290	
115	80	115 x 200	185	131	57	M 10	59	11.500	290	23
	85							12.600	300	
	90							15.100	340	
120	85	120 x 200	185	131	57	M 10	59	11.400	270	22
	90							13.800	310	
	95							16.300	340	
125	85	125 x 215	200	136	60	M 10	59	13.300	310	28
	90							15.800	350	
	95							18.600	390	
130	90	130 x 215	200	136	60	M 10	59	14.600	320	27
	95							17.200	360	
	100							20.100	400	

# MAV SC2008 Standard Sleeve couplings

measure	DIMENSIONS					SCREWS		FEATURES		WEIGHT kg
	ds mm	shrink disc MAV 2008 d x D	L mm	D1 mm	L1 mm	size	Ma Nm	Mt Nm	Fax kN	
140	95 100 105	140 x 230	210	148	66	M 12	100	18.600 21.600 24.900	390 430 470	33
155	105 110 115	155 x 263	230	167	70	M 12	100	25.400 29.000 32.800	480 530 570	49
165	115 120 125	165 x 290	240	177	78	M 16	250	38.900 43.600 47.600	680 730 760	63
175	125 130 135	175 x 300	250	187	78	M 16	250	42.900 47.800 53.100	690 740 790	66
185	135 140 145	185 x 330	265	201	95	M 16	250	60.000 66.400 73.100	890 950 1.000	95
195	140 150 155	195 x 350	280	216	95	M 16	250	75.600 90.600 98.700	1.100 1.200 1.300	107
200	150 155 160	200 x 350	290	216	95	M 16	250	87.000 94.800 103.000	1.200 1.200 1.300	106
220	160 165 170	220 x 370	310	236	114	M 16	250	110.000 120.000 129.000	1.400 1.500 1.500	144
240	170 180 190	240 x 405	350	254	121	M 20	490	146.000 168.000 190.000	1.700 1.900 2.000	185
250	180 190 200	250 x 430	390	274	132	M 20	490	186.000 209.000 238.000	2.100 2.200 2.400	237
260	190 200 210	260 x 430	390	274	132	M 20	490	197.000 224.000 254.000	2.100 2.200 2.400	228
280	210 220 230	280 x 460	430	296	145	M 20	490	260.000 292.000 327.000	2.500 2.700 2.800	281
300	230 240 250	300 x 485	445	316	153	M 20	490	334.000 371.000 410.000	2.900 3.100 3.300	323
320	240 250 260	320 x 520	460	336	153	M 20	490	380.000 419.000 457.000	3.200 3.400 3.500	384
340	250 260 270	340 x 570	480	356	169	M 20	490	465.000 506.000 555.000	3.700 3.900 4.100	523
350	260 270 280	350 x 580	490	376	173	M 20	490	483.000 530.000 580.000	3.700 3.900 4.100	552
360	280 290 295	360 x 590	500	376	173	M 20	490	556.000 606.000 632.000	4.000 4.200 4.300	544
380	290 300 310	380 x 645	530	395	179	M 24	840	682.000 739.000 799.000	4.700 4.900 5.200	699
390	310 315 320	390 x 660	540	415	179	M 24	840	813.000 844.000 871.000	5.200 5.400 5.400	729
400	315 320 330	400 x 680	540	415	199	M 24	840	806.000 831.000 896.000	5.100 5.200 5.400	829
420	330 340 350	420 x 690	580	435	199	M 24	840	967.000 1.040.000 1.110.000	5.900 6.100 6.400	852

# Standard Sleeve couplings

# MAV SC2008

measure	DIMENSIONS					SCREWS		FEATURES		WEIGHT kg
	ds mm	shrink disc MAV 2008 d x D	L mm	D1 mm	L1 mm	size	Ma Nm	Mt Nm	Fax kN	
440	340	440 x 750	600	456	207	M 24	840	970.000	5.700	1062
	350							1.040.000	5.900	
	360							1.110.000	6.200	
460	360	460 x 770	620	476	207	M 24	840	1.040.000	5.800	1113
	370							1.120.000	6.000	
	380							1.190.000	6.300	
480	380	480 x 800	645	496	228	M 24	840	1.420.000	7.500	1297
	390							1.510.000	7.700	
	400							1.600.000	8.000	
500	400	500 x 850	670	516	230	M 27	1250	1.620.000	8.100	1477
	410							1.700.000	8.300	
	420							1.800.000	8.600	

**Code:**

Ma: screws tightening torque

Mt: transmissible torque with Fax=0 kN

Fax: transmissible axial load with Mt=0 Nm

