

Example of order: MAV 6903 50 x 80

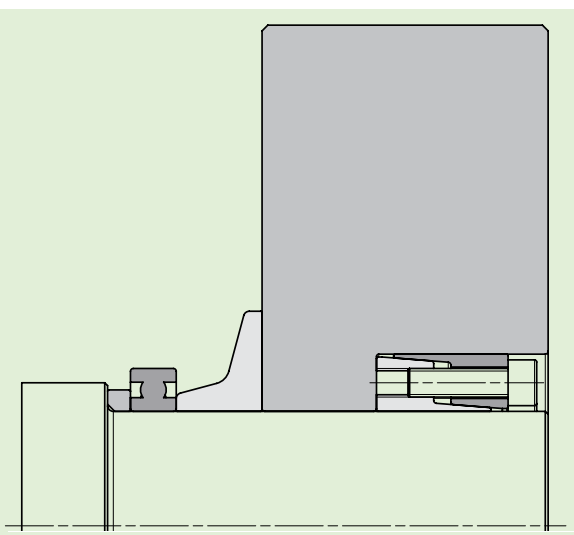
Features

- Medium capacity
- Self-centering, self-locking
- Fixed axial hub position during tightening
- Single taper design
- Well suited for axial locking of other components (ex. bearings) adjacent to the hub
- Tolerances: shaft h8; hub bore H8
- Surface finish of shaft and hub bore $Ra < 3.2 \mu m$

Composition

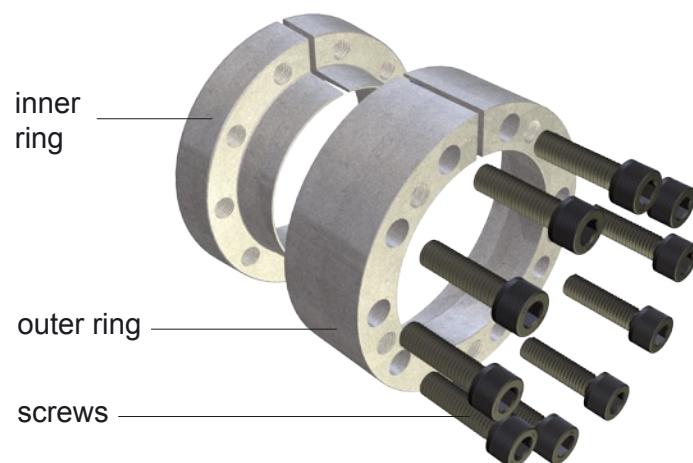
- Slotted inner ring
- Slotted outer ring, with integrated push-off threads
- Set of socket head cap screws, grade 12.9

Application examples

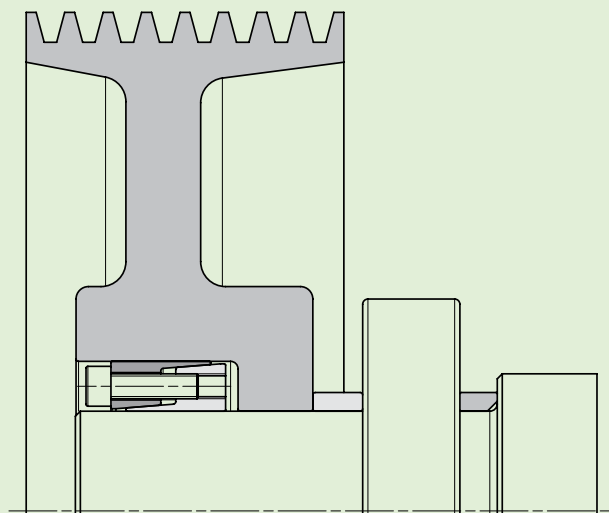


Fly wheel connection

Components

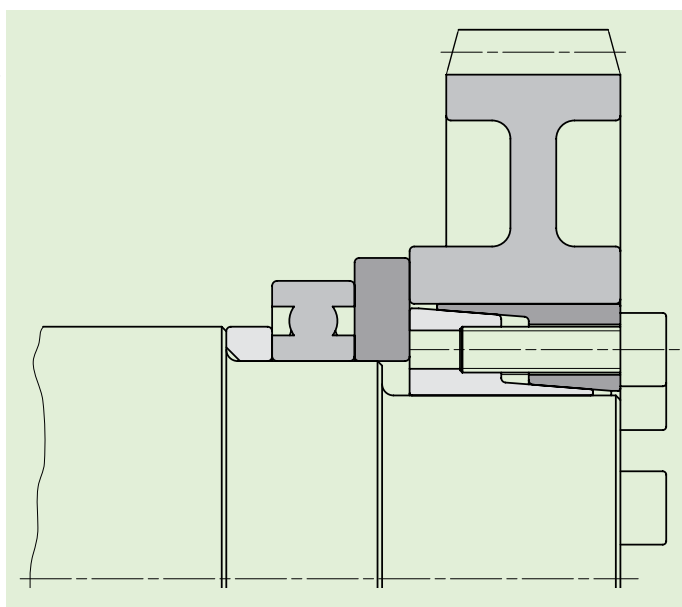


DIMENSIONS					SCREWS		PERFORMANCES				WEIGHT kg
d mm	x	D mm	L1 mm	L mm	size	Ma Nm	Mt Nm	Fax kN	Ps MPa	Ph MPa	
20	x	47	29	35	M 6	17	280	28	154	65	0,3
22	x	47	29	35	M 6	17	310	28	140	65	0,3
24	x	50	29	35	M 6	17	400	33	154	74	0,3
25	x	50	29	35	M 6	17	420	33	148	74	0,3
28	x	55	29	35	M 6	17	470	33	132	67	0,4
30	x	55	29	35	M 6	17	500	33	123	67	0,3
32	x	60	29	35	M 6	17	710	45	154	82	0,4
35	x	60	29	35	M 6	17	780	45	141	82	0,4
38	x	65	29	35	M 6	17	850	45	130	76	0,4
40	x	65	29	35	M 6	17	890	45	123	76	0,4
42	x	75	36	44	M 8	41	1'500	72	152	85	0,7
45	x	75	36	44	M 8	41	1'600	72	142	85	0,7
48	x	80	36	44	M 8	41	1'700	72	133	80	0,8
50	x	80	36	44	M 8	41	1'800	72	127	80	0,8
55	x	85	36	44	M 8	41	2'300	82	132	86	0,5
60	x	90	36	44	M 8	41	2'500	82	121	81	0,9
63	x	95	36	44	M 8	41	2'900	93	130	86	0,9
65	x	95	36	44	M 8	41	3'000	93	126	86	0,9
70	x	110	46	56	M 10	83	4'700	135	128	81	1,8
75	x	115	46	56	M 10	83	5'100	135	119	78	1,9
80	x	120	46	56	M 10	83	5'400	135	112	75	2,0
85	x	125	46	56	M 10	83	6'500	152	119	81	2,1
90	x	130	46	56	M 10	83	6'800	152	112	78	2,2
95	x	135	46	56	M 10	83	8'000	169	118	83	2,3
100	x	145	56	68	M 12	145	10'100	202	107	74	3,4
110	x	155	56	68	M 12	145	11'100	202	97	69	3,7
120	x	165	56	68	M 12	145	13'600	227	100	73	4,0
130	x	180	68	80	M 12	145	19'700	303	101	73	5,9



The specific purpose of series MAV 6903 is the axial locking of other elements adjacent to hub (e.g. bearings) during tightening of locking assembly. The movement of outer ring of locking assembly generates an axial force which is transmitted to hub and, by means of flanges and spacers, to adjacent elements.

Connection of
press gear
for plastic
materials



Code:

Ma: screws tightening torque
Mt: transmissible torque with Fax=0 kN
Fax: transmissible axial load with Mt=0 Nm
Ps: contact pressure on shaft
Ph: contact pressure in hub bore