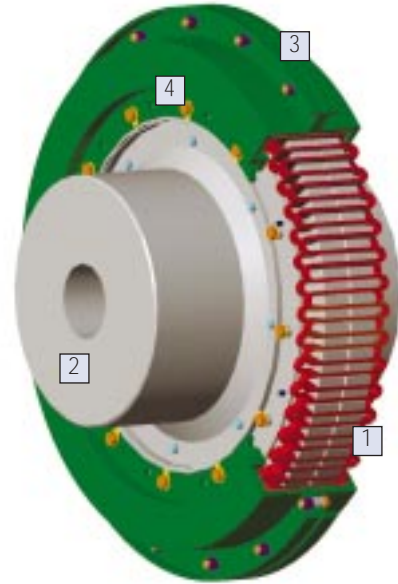
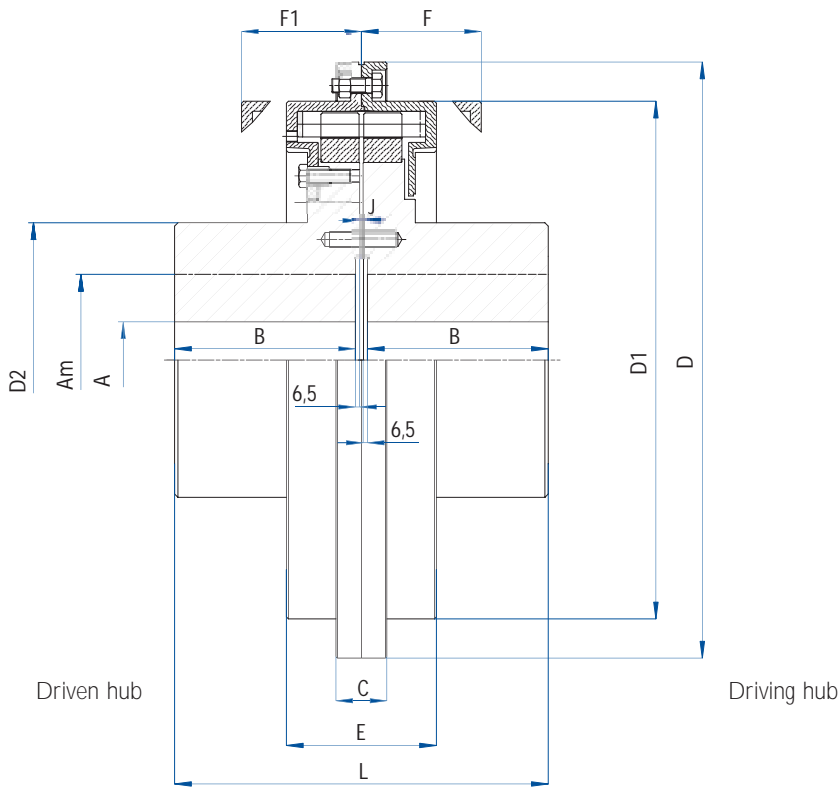


## Type S



Item	Designation
1	Grid
2	Hub
3	Cover
4	Bolts & screws

F & F1: Clearance for grid spring assembly and removal

SIZE	150	220	300	380	480
<b>Nominal Torque (Nm)</b>	<b>270 000</b>	<b>400 000</b>	<b>540 000</b>	<b>700 000</b>	<b>800 000</b>
Am	270	300	340	370	390
A (Rough bore)	120	165	180	180	180
B	270	300	340	370	400
C	76	80	92	92	92
D1	773	910	1050	1195	1220
D2	410	450	550	600	620
E	224	220	224	224	265
F	210	210	210	210	250
F1	215	215	215	215	255
J	4 <sup>+2</sup> <sub>-2</sub>	5 <sup>+2</sup> <sub>-3</sub>	5 <sup>+2</sup> <sub>-3</sub>	5 <sup>+2</sup> <sub>-3</sub>	6 <sup>+2</sup> <sub>-3</sub>
L	557	618	698	758	819
2 Withdrawal holes diameter	360 M24	380 M24	450 M30	500 M30	-

Weight (kg) with Rough bore	990	1260	1860	2390	2830
Weight of grease (kg)	12	22	27	30	45
J (kgm <sup>2</sup> ) Solid hub	64.5	110.75	206.25	340	415.75
Max speed (Rpm)	Without balance	500	400	370	320
	Dynamically balanced	950	800	700	600

Am: Maximum permissible bore corresponding to the hub dimensions **which may be increased if it is required.**

The contents of this bulletin are subject to change without notice.