

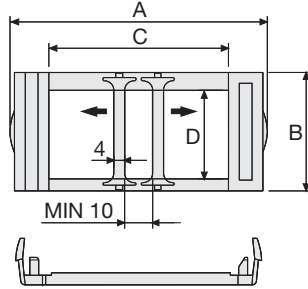
Serie Robot

SR500 Circular Nylon Cable Chain with removable frames

Inner height (D) 30 mm

Double share Sideband & Frame construction with large anti-friction single-pin.

Frames removable from inner radius.



Separator

| | |
|---------------|----------------|
| - Unassembled | Part.no S500 |
| - Assembled | Part.no S500MC |

Pin

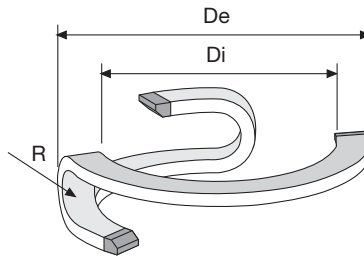
Part.no PG355

Technical characteristics

| | |
|--------------|---------------------|
| Speed | 180°/s |
| Acceleration | 180°/s ² |

For higher requirements please consult our technical dept.

| A | B | C | D | R | Weight/pitch | Chain |
|----|----|----|----|-----|--------------|-------------|
| mm | mm | mm | mm | mm | kg | Part Number |
| 93 | 43 | 65 | 30 | 100 | 0,135 | SR5001 |
| 93 | 43 | 65 | 30 | 150 | 0,135 | SR5002 |



| R | Di | De |
|-----|-----|-----|
| mm | mm | mm |
| 100 | 630 | 830 |
| 150 | 630 | 830 |

Length of Chain

| Chain | Degrees | No |
|--------------|-------------|------------|
| Part Numbers | of Rotation | of Pitches |
| SR5001 | 90 | 12 |
| SR5001 | 180 | 16 |
| SR5001 | 270 | 20 |
| SR5001 | 360 | 24 |
| SR5002 | 90 | 14 |
| SR5002 | 180 | 18 |
| SR5002 | 270 | 23 |
| SR5002 | 360 | 27 |



Steel End Brackets

The end brackets set, containing two steel plates screwed to the links, allows the two ends of the chain to be attached to the equipment. The end brackets are installed in one position offering the possibility of attaching the chain externally. (Fig. A)

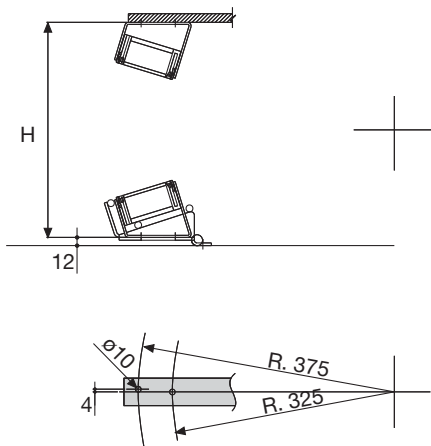


Fig. A

Support Guide

For correct functioning of the chain it is necessary that the installation is done in a specific position.

For this reason Brevetti Stendalto has observed and created a support guide which can do this. (Fig. B)

For particular applications it is possible to create support guides with attachment plates and special dimensions.

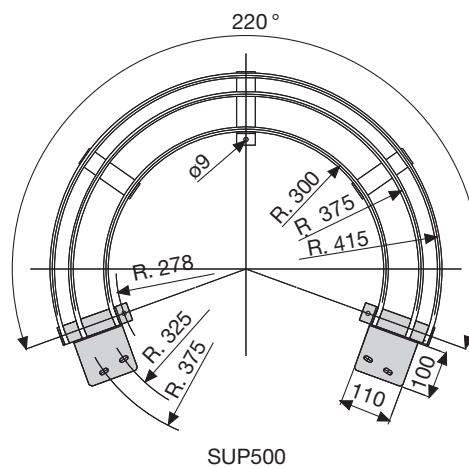


Fig. B

| Chain Type | H |
|------------|-----|
| SR5001 | 330 |
| SR5002 | 410 |

For applications with rotations exceeding 200° it is necessary to use the appropriate accessories for supporting the cable chain. (see page 28).

Steel End Brackets Part Numbers

Complete Set Assembled

| Chain Type | End Brackets Set |
|------------|------------------|
| SR500... | A500KM |

Complete Set Unassembled

| Chain Type | End Brackets Set |
|------------|------------------|
| SR500... | A500K |

Serie Robot

SR500

Circular Nylon Cable Chain with removable frames