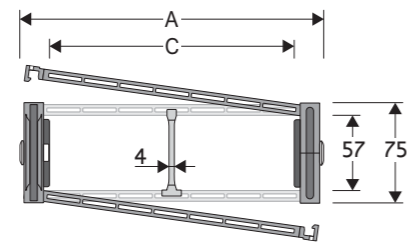


Serie Protection

308CU Nylon Protection Cable Chain with opening aluminium covers

Inner height (D) 57 mm
Strong double share Sideband & Frame construction with large anti-friction triple-pin.
Covers are opening from inner and outer radius.
Vertical separators are available.

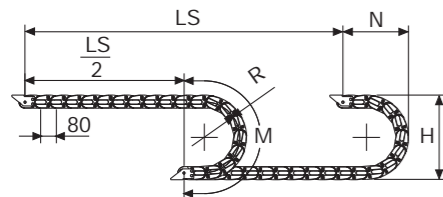


Separator	
- Unassembled	Part.no S308C
- Assembled	Part.no S308CMCI for chain opening outer radius
- Assembled	Part.no S308CMCE for chain opening inner radius
Pin	
	Part.no PG308

Technical characteristics when self-supported

Speed	8 m/s
Acceleration	40 m/s ²

For higher requirements please consult our technical dept.



Length of chain (L)
Half travel distance ($\frac{LS}{2}$)
plus length of curve (M)

$$L = \frac{LS}{2} + M$$

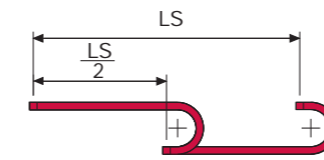
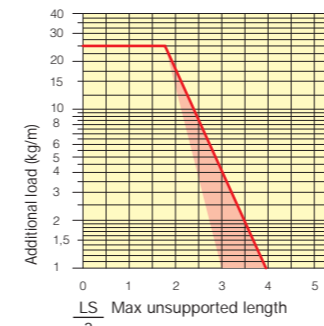
R	H	N	M
mm	mm	mm	mm
150	375	270	635
180	435	300	725
200	475	320	790
230	535	350	885
280	635	400	1040
300	675	420	1105
400	875	520	1420

A	B	C	D	R	Weight/m	Chain
mm	mm	mm	mm	mm	kg	Part Number
82	75	38	57	150-180-200-230-280-300-400	2,90	308CU038 □□□ *
93	75	49	57	150-180-200-230-280-300-400	3,01	308CU049 □□□ *
107	75	63	57	150-180-200-230-280-300-400	3,19	308CU063 □□□ *
113	75	69	57	150-180-200-230-280-300-400	3,27	308CU069 □□□ *
117	75	73	57	150-180-200-230-280-300-400	3,35	308CU073 □□□ *
127	75	83	57	150-180-200-230-280-300-400	3,43	308CU083 □□□ *
132	75	88	57	150-180-200-230-280-300-400	3,48	308CU088 □□□ *
139	75	95	57	150-180-200-230-280-300-400	3,56	308CU095 □□□ *
149	75	105	57	150-180-200-230-280-300-400	3,67	308CU105 □□□ *
157	75	113	57	150-180-200-230-280-300-400	3,77	308CU113 □□□ *
168	75	124	57	150-180-200-230-280-300-400	3,91	308CU124 □□□ *
182	75	138	57	150-180-200-230-280-300-400	4,06	308CU138 □□□ *
207	75	163	57	150-180-200-230-280-300-400	4,36	308CU163 □□□ *
232	75	188	57	150-180-200-230-280-300-400	4,65	308CU188 □□□ *
243	75	199	57	150-180-200-230-280-300-400	4,78	308CU199 □□□ *
257	75	213	57	150-180-200-230-280-300-400	4,94	308CU213 □□□ *
284	75	240	57	150-180-200-230-280-300-400	5,25	308CU240 □□□ *
293	75	249	57	150-180-200-230-280-300-400	5,37	308CU249 □□□ *
318	75	274	57	150-180-200-230-280-300-400	5,48	308CU274 □□□ *
344	75	300	57	150-180-200-230-280-300-400	5,95	308CU300 □□□ *
366	75	322	57	150-180-200-230-280-300-400	6,20	308CU322 □□□ *
394	75	350	57	150-180-200-230-280-300-400	6,11	308CU350 □□□ *

*Complete the code by inserting the value of the radius (R): Ex. 308CU105 □□□



Self-Supporting Capacity Diagram
The maximum length of the self-supporting capacity ($\frac{LS}{2}$) in relationship to the weight of the cables and hoses contained per linear metre.



The red marking in the diagram area considers the difference of weight between various widths of chains assembled with nylon frames every second pitch.

For applications with $\frac{LS}{2}$ and weights not included in the area of the diagram showing self-supporting capacity, verify the possible use of support rollers (see page 30).

End Brackets
The end brackets set allows the two ends of the chain to be attached to the equipment. Set complete with tiwrap clamps available on request.
Nylon Type

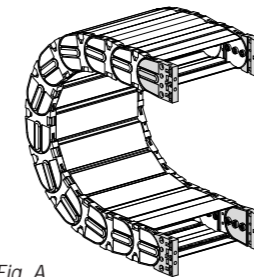
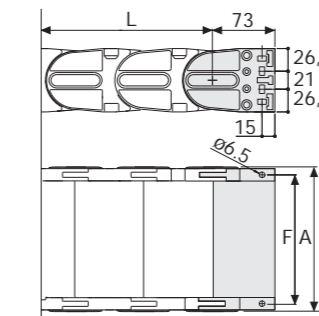


Fig. A The chain can be fixed frontally, inner or outer radius. (Fig A)



Chain Type	F mm
308CU038	62
308CU049	73
308CU063	87
308CU069	93
308CU073	97
308CU083	107
308CU088	112
308CU095	119
308CU105	129
308CU113	137
308CU124	148
308CU138	162
308CU163	187
308CU188	212
308CU199	223
308CU213	237
308CU240	264
308CU249	273
308CU274	298
308CU300	324
308CU322	346
308CU350	374

Nylon Type Part Numbers

Complete Set Assembled Chain Type	End Brackets Set
308	AN308C□□□*KM
Complete Set Unassembled Chain Type	End Brackets Set
308	AN308C□□□*K

Bright Zinc Plated Steel Type***

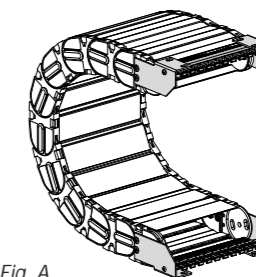
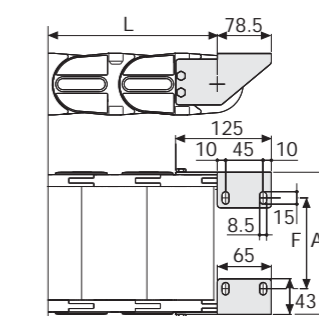


Fig. A Chain fixed outside the radius. (Fig A) See end brackets mounting variations page 31.



Chain Type	F mm
308CU038	-
308CU049	31
308CU063	45
308CU069	51
308CU073	55
308CU083	65
308CU088	70
308CU095	77
308CU105	87
308CU113	95
308CU124	106
308CU138	120
308CU163	145
308CU188	170
308CU199	181
308CU213	195
308CU240	222
308CU249	231
308CU274	256
308CU300	282
308CU322	304
308CU350	332

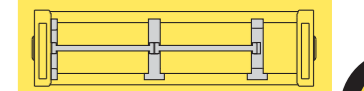
Bright Zinc Plated Steel Type Part Numbers

Complete Set Assembled Chain Type	End Brackets Set
308	A308CU□□□*KM□□
Complete Set Unassembled Chain Type	End Brackets Set
308	A308CU□□□*K□□

Tiewrap Clamp
Assembl. SFCT308S □□□ *KM
Unassembl. SFCT308S □□□ *K
* Inner width (C)
** 1=Pos.1; 2=Pos.2; 3=Pos.3
*** Available on request in stainless steel

Serie Protection

308CU Nylon Protection Cable Chain with opening aluminium covers



Separation System To choose the separators see page. 196

3